

SANITARY

# SANITARY MANHOLE

## L 卫生级人孔

人孔主要应用在食品，啤酒，饮料，  
制药等到工业领域罐设备上。

Manhole is mainly used in tank equipment in  
such industries as food, beer, beverage,  
pharmacy, etc.

SANITARY VALVES AND  
PIPE FITTINGS  
卫生级阀门管件



Wenzhou Qili Fluid Equipment Co.,Ltd

www.wzqlqjx.cn  
www.sanitary-valve-fittings.com

## 圆型人孔 Round Manhole

### 产品特点及应用

- ◆ 外开式人孔盖子
- ◆ 塑料手轮或不锈钢手轮
- ◆ 内表面: Ra0.8 $\mu$ m - 0.5 $\mu$ m
- ◆ 外表面: 抛光处理、亚光处理、喷砂
- ◆ 处理最大压力: 1.0bar
- ◆ 垫圈: EPDM、NBR、SIUCON、EPM符合FDA117.2600
- ◆ 高度: 100, 120, 150
- ◆ 材质: AISI304(1.4301)/ 316L(1.4404)

### Product features and applications

- ◆ External opening type manhole cover
- ◆ Plastic handwheel or stainless handwheel
- ◆ Interior surface: Ra0.8 $\mu$ m - 0.5 $\mu$ m
- ◆ Exterior surface: polishing treatment, matte treatment, sand blasting
- ◆ Maximum pressure 1.0bar
- ◆ Washer: EPDM, NBR, SILICON, EPM conforming to FDA117.2600
- ◆ Height: 100, 120, 150
- ◆ Material: AISI304(1.4301)/ 316L(1.4404)

该人孔主要应用在食品, 啤酒, 饮料, 制药等到工业领域罐设备上。  
The manhole is mainly used on tank equipment in such industries as food, beer, beverage, pharmacy, etc.



901G500



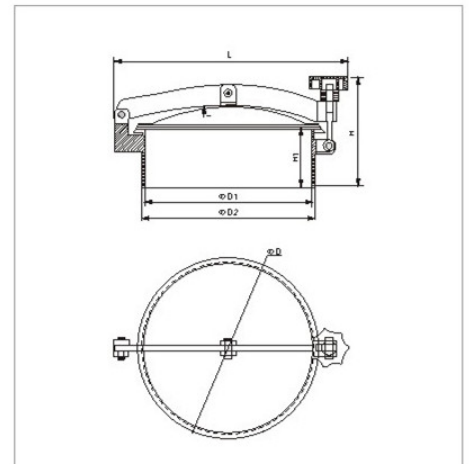
901G501

尺寸(mm) 编号:901G500

SIZE	H1	D1	D2
Φ200	100	200	194
Φ220	100	220	214
Φ300	100	300	294
Φ350	100	350	344
Φ400	100	400	394
Φ430	100	430	424
Φ450	100	450	444
Φ500	100	500	494
Φ600	100	600	594

高度 (H1) 可制作成120MM, 150MM等; 壁厚可根据客户要求改变;

Heigh (H1) can be changed to 120MM, 150MM, etc. The thickness can be changed according to request of customers





Wenzhou Qili Fluid Equipment Co.,Ltd

www.wzqlqjx.cn  
www.sanitary-valve-fittings.com

## 椭圆型人孔 Oval Manhole



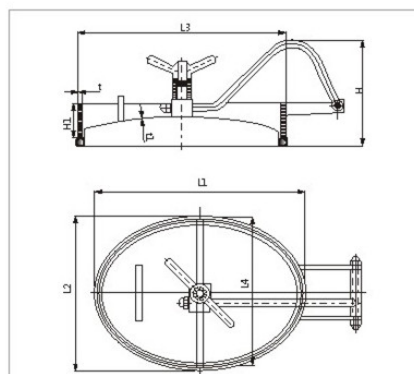
901G507



901G508



901G509



### 产品特点及应用

- ◆ 该人孔主要应用于在食品，啤酒，饮料，制药工业领域罐设备上。
- ◆ 内开式人孔盖子
- ◆ 扳手式手柄，手轮式手柄
- ◆ 内表面：Ra0.8 $\mu$ m - 0.5 $\mu$ m
- ◆ 外表面：抛光处理、亚光处理、喷砂处理
- ◆ 最大压力：3.0bar
- ◆ 垫圈：EPDM、NBR、SILICON、EPM符合FDA117.2600
- ◆ 度：75，100，120，150
- ◆ 材质：AISI304(1.4301)/ 316L(1.4404)

### Product features and applications

- ◆ The manhole is mainly used on tank equipment in such industries as food, beer, beverage pharmacy, etc.
- ◆ Internal opening type manhole cover
- ◆ Wrench type handle handwheel type handle
- ◆ Interior surface: Ra0.8 $\mu$ m - 0.5 $\mu$ m
- ◆ Exterior surface: polishing treatment, matte treatment, sand blasting
- ◆ Maximum pressure: 3.0bar
- ◆ Washer: EPDM, NBR, SILICON, EPM conforming to FDA117.2600
- ◆ Height 75, 100, 120, 150
- ◆ Material: AISI304(1.4301)/ 316L(1.4404)

尺寸(mm)

编号:901G508

SIZE	H1	L3	L4	T
435*335	75	435	335	8.0
530*430	100	530	430	10.0
635*525	160	635	344	10.0

高度 (H1) 可制作成120MM，150MM等；壁厚可根据客户要求改变；

Heigh (H1) can be changed to 120MM, 150MM etc. The thickness can be changed according to request of customers







Wenzhou Qili Fluid Equipment Co.,Ltd

www.wzqlqjx.cn  
www.sanitary-valve-fittings.com

## 压力人孔 Pressure Manhole

### 产品特点及应用

- ◆ 该压力型人孔主要应用在食品, 啤酒, 饮料, 制药等工业领域压力容器上。
- ◆ 外开式人孔盖子
- ◆ 带法兰式窥视镜
- ◆ 塑料手轮或不锈钢手轮
- ◆ 由任式窥视镜
- ◆ 内表面: Ra0.8 $\mu$ m - 0.5 $\mu$ m
- ◆ 外表面: 抛光处理、亚光处理、喷砂处理
- ◆ 最大压力: 5.0bar
- ◆ 垫圈: EPDM、NBR、SILICON、EPM符合FDA117.1600
- ◆ 高度: 100, 120, 150
- ◆ 材质: AISI304(1.4301)/ 316L(1.4404)

### Product features and applications

- ◆ The pressure type manhole is mainly used on pressure vessel in such industries as food, beer, beverage, pharmacy, etc.
- ◆ External opening type manhole cover
- ◆ Sight glass with flange
- ◆ Plastic handwheel or stainless steel handwheel
- ◆ Union type sight glass
- ◆ Interior surface: Ra0.8 $\mu$ m - 0.5 $\mu$ m
- ◆ Exterior surface: polishing treatment, matte treatment, sand blasting
- ◆ Maximum pressure: 5.0bar
- ◆ Washer: EPDM, NBR, SILICON, EPM conforming to FDA117.2600
- ◆ Height: 100, 120, 150
- ◆ Material: AISI304(1.4301)/ 316L(1.4404)

尺寸(mm)

编号:90 1G5 02

SIZE	H1	D1	D2
Φ200	100	200	194
Φ220	100	220	214
Φ300	100	300	294
Φ350	100	350	344
Φ400	100	400	394
Φ430	100	430	424
Φ450	100	450	444
Φ500	100	500	494
Φ600	100	600	594

高度 (H1) 可制作成120MM, 150MM等; 壁厚可以制作4MM或其它的壁厚; 手轮数量也可根据客户要求改变。

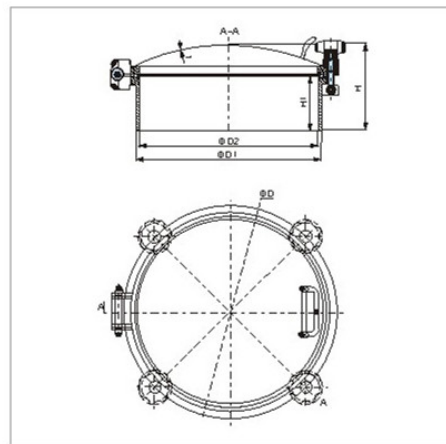
Height (H1) can be changed to 120MM, 150MM, etc. The thickness can be changed to 4MM or other sizes. The amount of handles can be changed according to request of customers



901G502



901G503





Wenzhou Qili Fluid Equipment Co.,Ltd

www.wzqlqjx.cn  
www.sanitary-valve-fittings.com

## 方型人孔 Square Manhole



901G504



901G505

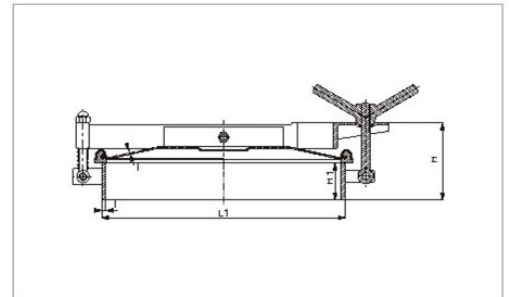


SIZE: 235 × 185

901G506

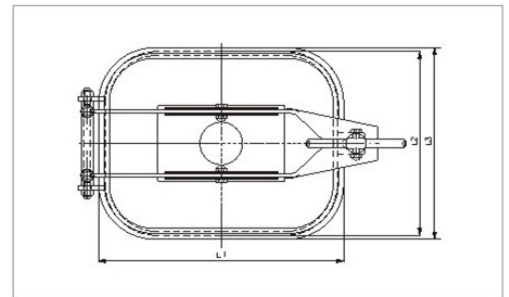
### 设计特点

- ◆ 外开式人孔盖子
- ◆ 扳手式手柄，手轮式手柄
- ◆ 内表面：Ra0.8 $\mu$ m-0.5 $\mu$ m
- ◆ 外表面：抛光处理、亚光处理、喷砂处理
- ◆ 最大压力：1.0bar
- ◆ 垫圈：EPDM、NBR、SILICON、EPM符合FDA177.2600
- ◆ 高度：65,80,100,120,150
- ◆ 材质：AISI304(1.4301)/316L(1.4404)



### Design and Features

- ◆ External opening type manhole cover
- ◆ Wrench type handle, handwheel type handle
- ◆ Interior surface Ra0.8 $\mu$ m - 0.5 $\mu$ m
- ◆ Exterior surface polishing treatment, matte treatment, sand blasting
- ◆ Maximum pressure: 1.0bar
- ◆ Washer: EPDM, NBR, SILICON, EPM conforming to FDA177.2600
- ◆ Height: 65, 80, 100, 120, 150
- ◆ Material AISI304(1.4301)/ 316L(1.4404)



尺寸(mm)

编号:901G504

SIZE	H1	L1	L2	T
235×185	65.0	235	185	8.0
425×335	65.0	425	335	8.0
535×435	65.0	535	435	8.0

高度 (H1) 可根据客户要求；壁厚可根据客户要求；

Height (H1) and the thickness can be changed according to request of customers.

