



齐力流体与世界同步
 QL fluid synchronizing with the world

Qili Fluid Equipment



温州齐力流体设备有限公司
 Wenzhou Qili Fluid Equipment Co., Ltd
 温州齐力轻工机械锻压厂
 Wenzhou Qili Light Industry Machinery Forging Factory

地址：温州经济技术开发区滨海园区滨海三道3839号-1
 Add: 3839#-1 Three Road Binhai Development Zone
 Wenzhou Zhejiang China

电话/TEL: 0086-0577-86990175 传真/FAX: 0086-0577-86990176

开户行：中国工商银行股份有限公司温州龙湾支行

Bank: Industrial and Commercial Bank of China Limited Longwan Branch

帐号/Account NO.: 120322 7309 20029 1962 QQ: 1121446895

网址/Http: www.wzqlqgjx.cn http://www.sanitary-valve-fittings.com

邮箱/E-mail: cy-zhu@wzqlqgjx.cn cidy@wzqlqgjx.cn anna@wzqlqgjx.cn

jessie@wzqlqgjx.cn tera@wzqlqgjx.cn mesue@wzqlqgjx.cn lida@wzqlqgjx.cn



温州齐力流体设备有限公司
 Wenzhou Qili Fluid Equipment Co., Ltd
 温州齐力轻工机械锻压厂
 Wenzhou Qili Light Industry Machinery Forging Factory



 齐力流体与世界同步
QL fluid synchronizing with the world

企业简介

Corporate Profile



温州齐力流体设备有限公司是一家集科研、生产为一体的现代企业，专业生产高精度卫生级不锈钢流体设备配件及管道所有连接件、锻造、精加工一条龙生产。

我们以一流的机械设备和专业的科研人员为所有从事不锈钢需求行业提供优质服务。产品广泛适用于制药、饮料、乳制品、啤酒、生物化工等领域。所有产品均按：3A,SMS,DIN,RJT,IDF,DS等标准制造，所有产品均达到GMP药典要求。产品远销美国，加拿大，欧洲，澳洲,中东及台湾等30多个国家和地区

同盟、友谊、创新是齐力公司的经营理念。我们始终不会忘记客户给我们的支持与宝贵的意见、齐力人会把高质量的材料、先进的设计、严格的制造标准及质量保证体系完美结合。力争为客户提供最好、最优的产品。

齐力公司满腔热情欢迎您的合作、并诚信恭候各界朋友的光临！

Wenzhou Qili Fluid Equipment CO.,Ltd is a collection of scientific research, production as one of the modern enterprise, specializing in production of high precision sanitary stainless steel fluid equipment parts and pipe fittings.

Our first-class equipment and professional researchers engaged in stainless steel demand for all industries to provide quality services. All products are: 3A,SMS,DIN,RJT,IDF,DS manufacturing standards, all products meet the GMP requirements of the pharmacopoeia. Products are exported to The United States, Canada, Europe, Newzealand, Central Asia and Taiwan more than 30 countries and regions.

Alliance and friendship, innovation is the company's operating philosophy. We always do not forget to give our customers the support and valuable advice, we will high-quality materials, advanced design, strict manufacturing standards and quality assurance system perfect combination. Strive to provide the best, the best products.

Qili company full of enthusiasm to welcome you to join, and sincere welcome friends from all walks of life to visit.



总经理致辞

GENERAL MANAGER ORATION

人才是企业发展的源泉和动力，也是企业综合实力的集中体现。我公司拥有一支高素质的专业队伍，专业配务齐全，年龄结构合理，施工经验丰富。坚持以人为本，着力激发员工潜力和创造力，公司上下创业热情高涨。在员工选用上，坚持学识优先，努力打造学习型团队，凭借人才智力优势，抢占工程行业鳌头。

Talent is the source and power of enterprise development, but also embodies the comprehensive strength. My company has a team of highly qualified professionals, professional works with complete, Reasonable age structure construction experience. Adhere to the people-oriented, focused stimulate employee potential and creativity, entrepreneurial enthusiasm across the company. On staff selection, insist Knowledge first, and strive to create a learning team, intellectual superiority by virtue of talent, Preempt the engineering industry Ngau Tau.

领航未来

Because of your good, make we unceasingly enterprising, let oneself is more outstanding, your encouragement and need is our motivation and pursue, common development is full of love and win the share is big wisdom.

Pilot future

团队

是企业文化的核心



TEAM SPIRIT IS THE CORE
OF ENTERPRISE CULTURE





温州齐力流体设备有限公司
Wenzhou Qili Fluid Equipment Co., Ltd
温州齐力轻工机械锻压厂
Wenzhou Qili Light Industry Machinery Forging Factory

- 诚信为本
- Honesty

- 服务至上
- Service-oriented

- 精益求精
- Excellence



齐力流体 · 系列产品

Qili Fluid Product Lines



齐力流体与世界同步
QL fluid synchronizing with the world



齐力流体



办公室展示/Office



精益求精
 KEEP IMPROVING

齐力流体与世界同步
 QL fluid synchronizing with the world



数控车间 CNC WORKSHOP





锻造车间
FORGING WORKSHOP




仓库中心
WAREHOUSE CENTER



发货现场
THE DELIVERY ON SITE

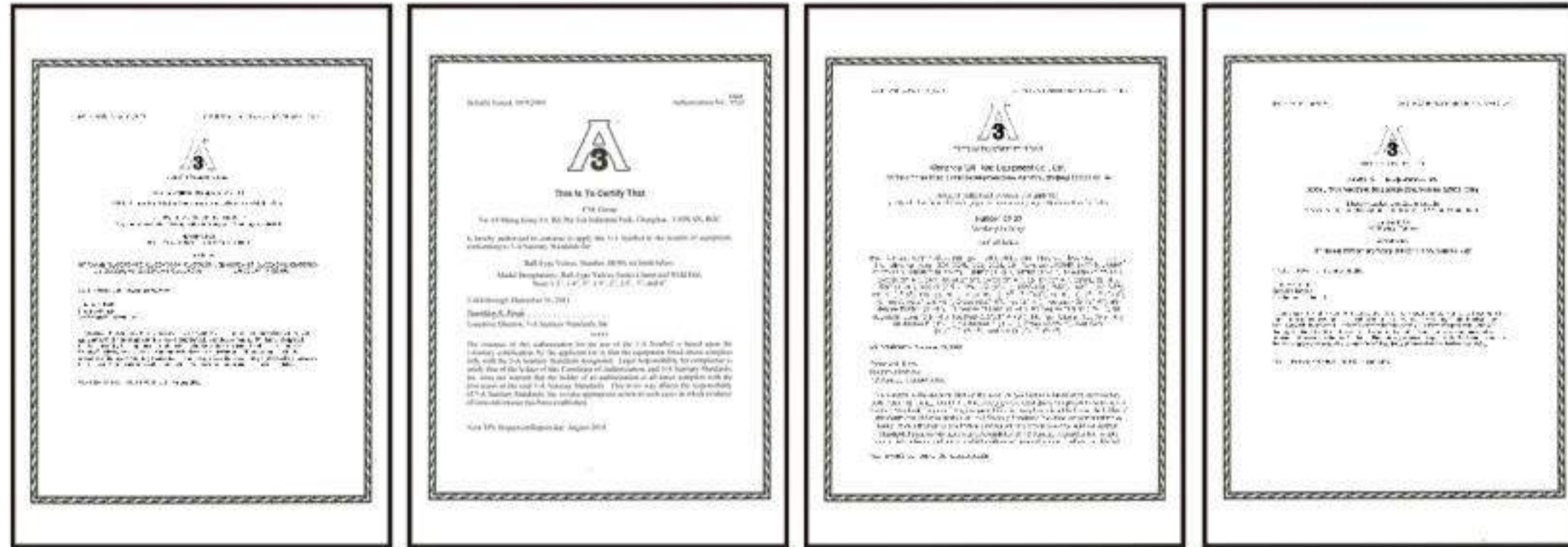


齐力流体与世界同步 
 QL fluid synchronizing with the world



标准的管理,
严谨的品质保证,
以及完整的责任

QL of consistency managed, rigorous quality guaranteed, and intact responsibility



3A NO.3599 CHECK VALVE

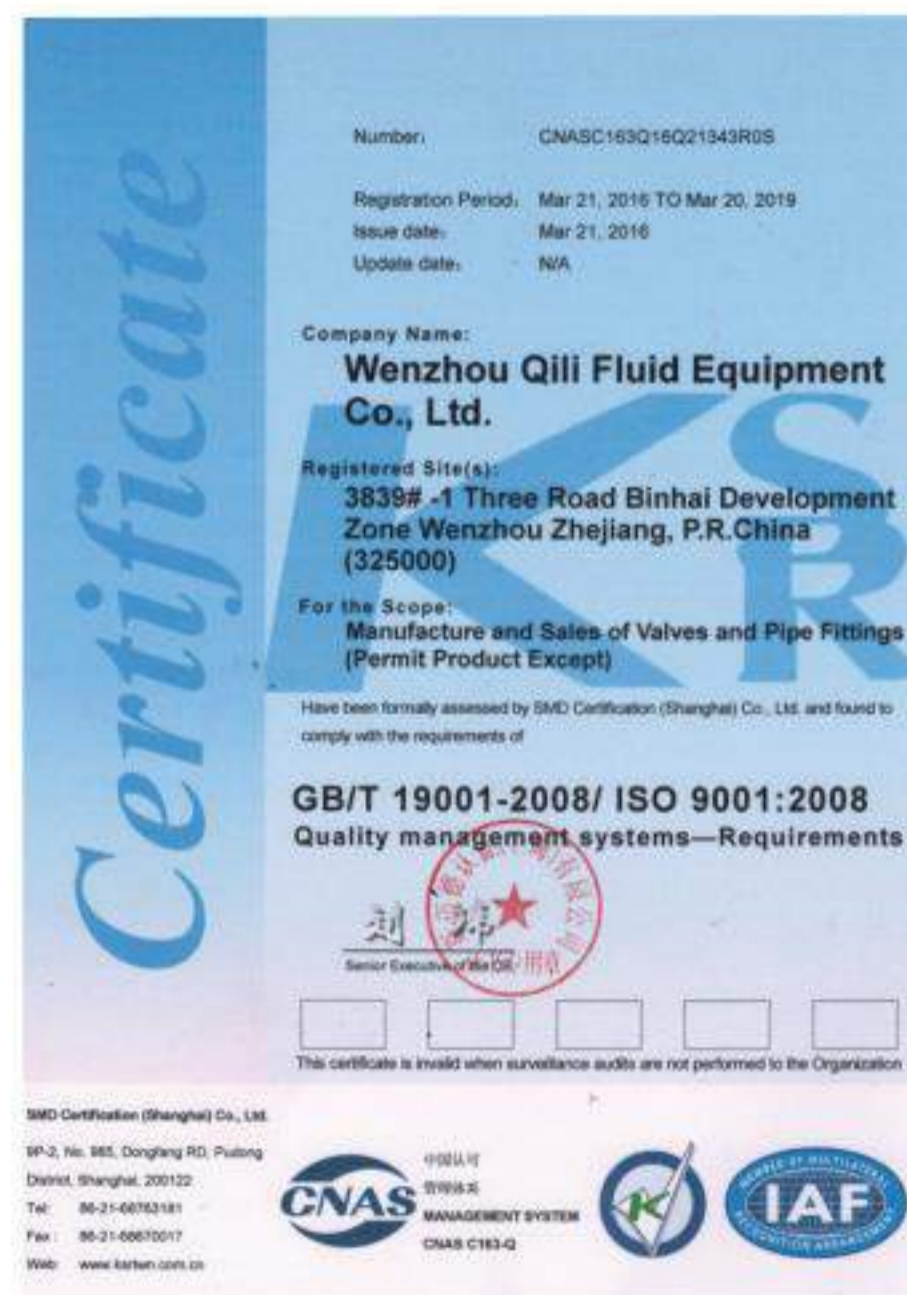
3A NO.3608 BALL VALVE

3A NO.1826 SANITARY FITTINGS

3A NO.3585 METAL TUBING



ISO CERTIFICATE



ISO CERTIFICATE

目录
CONTENTS

阀门系列 VALVE SERIES

1-10

1). 蝶阀
BUTTERFLY VALVE

1-6

2). 止回阀
CHECK VALVE

7

3). 球阀
BALL VALVE

8

4). 定制非标阀门
NON-STANDARD VALVE

9-10

管子 TUBE

11

管道配件系列 PIPE FITTINGS SERIES

12-37

1). 视镜
SIGHT GLASS

12

2). 卡箍
CLAMP

13-14

3). 接头
FERRULES

15-18

4). 管支架
PIPE HOLDER

19

5). 由任
UNION

20-28

6). 皮管接头
HOSE FITTINGS

29

7). 管件
ELBOW/TEE/REDUCER

30-34

8). 真空连接件
VACUUM COMPONENTS

35-37



蝶阀系列 Range of Butterfly Valve

- 诚信为本
- Honesty

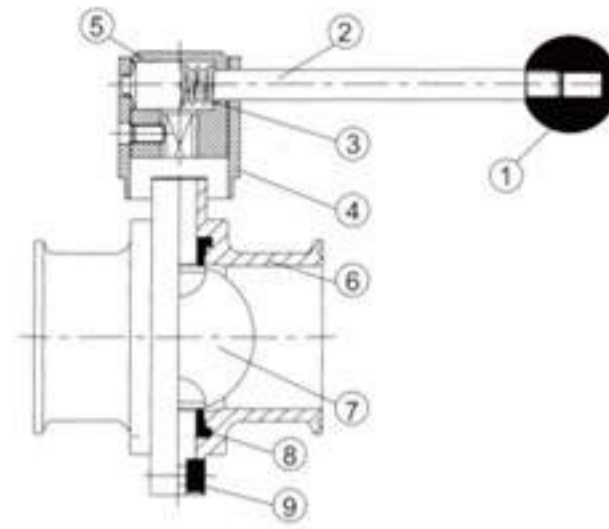
- 服务至上
- Service-oriented



锻造蝶阀 Full Forged Butterfly Valves



NO.	NAME
1	KNOB
2	STEEL-BAR
3	SPRING ST.ST
4	ST.ST
5	HOLDER
6	BODY
7	DISC
8	EPDM RUBBER SEAT
9	SCREW BOLT



Torque for Full Open/Close

1.0"	<1kgf-m
1.5"	<1kgf-m
2.0"	1.3kgf-m
2.5"	1.5kgf-m
3.0"	2.0kgf-m
4.0"	3.1kgf-m

*1kgf-m=9.8N.m=86.8 lbf-in=7.23lbf-ft

3A 快装4孔位蝶阀, 不锈钢手柄
3A Clamp End With St .St Pull Handle, 4 Position

Width Range of QL Butterfly Valve-C&G Type

Body : SS304,316,316L material out from precision CNC milling machined.

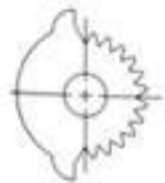
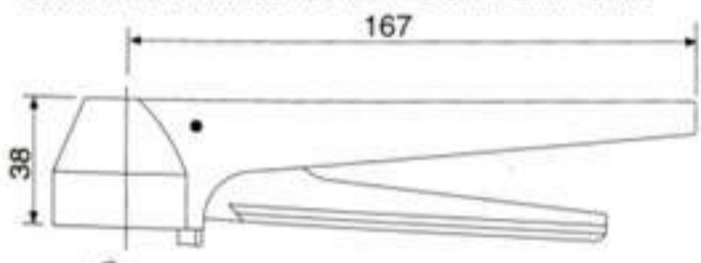
Body can be changeable and low torque.BS.SMS.DIN 3A Weld End and Male/Male End and Clamp End.

Disk : Out from full machined,high polished.Ra less than 0.6 μm .9.5mm and 8X12mm,12X12mm head for USA and Europe required. Electropolished and PTFE coating can be Required.

Handle: Different nylon re-force and stainless steel handle gripper,pull,Press type.

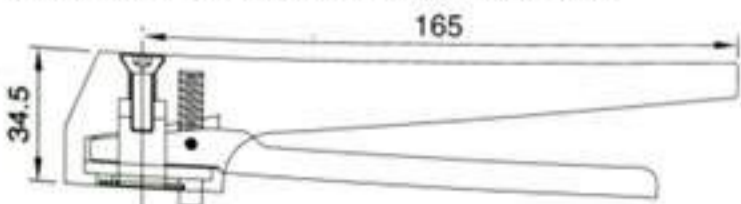
From 2 Position-12 Position, design for your wide range and beautiful choice.

12孔位手柄 GRIPPER HANDLE 12 POSITION-G12



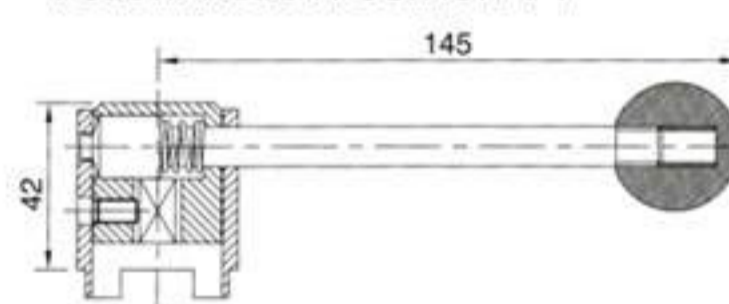
Can fit $\varnothing 9.4 \times 9.4$ and $\varnothing 12 \times 8$ or $\varnothing 12 \times 12$

两位手柄-G2 GRIPPER HANDLE 2 POSITION-G2



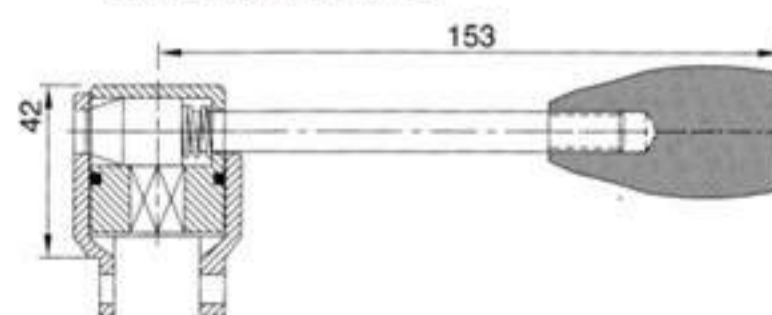
Can fit $\varnothing 9.4 \times 9.4$ and $\varnothing 12 \times 8$ or $\varnothing 12 \times 12$

4孔位/拉杆式手柄P4 PULL HANDLE 4 POSITION-P4

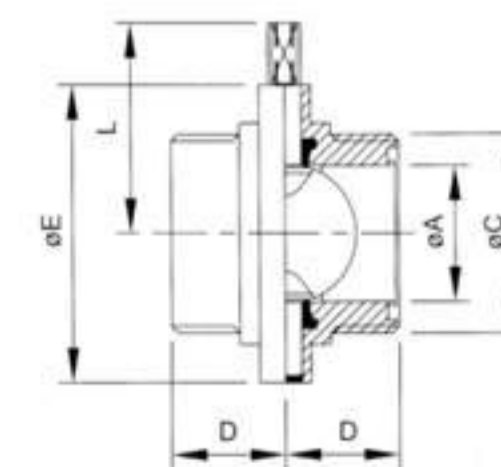
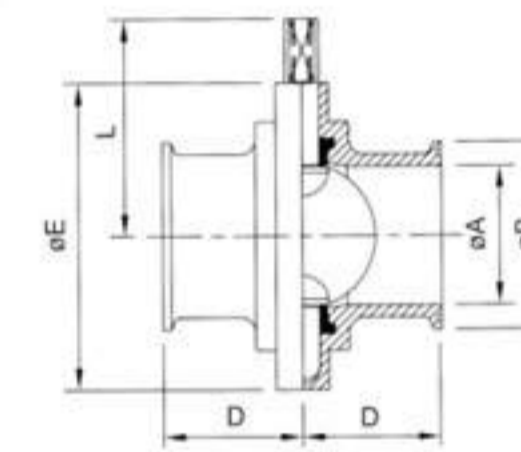
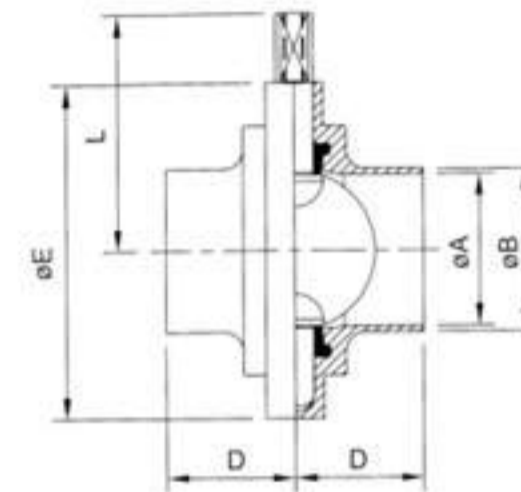


Fit $\varnothing 9.4 \times 9.4$ and $\varnothing 12 \times 8$ or $\varnothing 12 \times 12$

拉杆式手柄-P4L PULL HANDLE-P4L



Fit $\varnothing 9.4 \times 9.4$ and $\varnothing 12 \times 8$ or $\varnothing 12 \times 12$



3A/BS/SMS焊接蝶阀 3A/BS/SMS Weld/Weld Butterfly Valves

SIZE	$\varnothing A$	$\varnothing B$	SIZE	$\varnothing A$	$\varnothing B$	D	$\varnothing E$	L
1/2"	9.5	12.7	—	—	—	34	79	61
3/4"	15.8	19.05	—	—	—	34	79	61
1.0"	22.1	25.4	DN25	22.5	25	34	79	61
1.5"	34.8	38.1	DN38	35.4	38	38	85	64.3
2.0"	47.5	50.8	DN51	48	51	40	105	74.3
2.5"	60.2	63.5	DN63	60.2	63.5	40	112	77.6
3.0"	72.2	76.2	DN76	72.1	76.1	41	125	84.8
4.0"	97.6	101.6	DN104	100	104	44	157	101.7
6.0"	146.8	152.4	—	—	—	57	214	138.9

DIN焊接蝶阀 DIN Weld/Weld Butterfly Valves

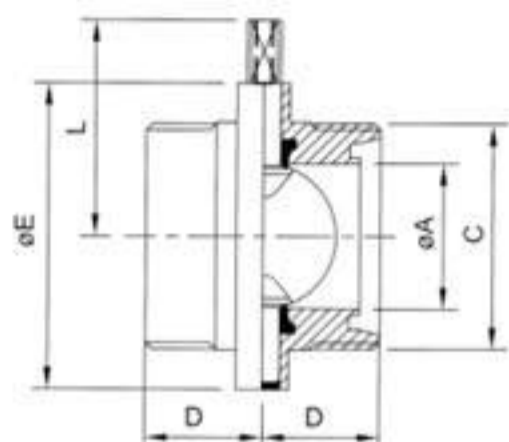
SIZE	$\varnothing A$	$\varnothing B$	D	$\varnothing E$	L
DN28	25	28	34	79	61
DN34	31	34	38	85	64.3
DN40	37	40	38	90	74.3
DN50	49	52	40	105	77.6
DN65	66	70	41	125	84.8
DN85	81	85	42	137	91.6
DN104	100	104	44	157	101.7

3A快装式蝶阀 3A Clamp/Clamp Butterfly Valves

SIZE	$\varnothing A$	$\varnothing B$	D	$\varnothing E$	L
1/2"	9.5	25.2	34	79	61
3/4"	15.8	25.2	34	79	61
1.0"	22.1	50.5	33	79	61
1.5"	34.8	50.5	33	85	64.3
2.0"	47.5	64.0	35	105	74.3
2.5"	60.2	77.5	35	112	77.6
3.0"	72.2	91.0	38	125	84.8
4.0"	97.6	119.0	38	157	101.7
6.0"	146.8	166.8	57	213	138.9

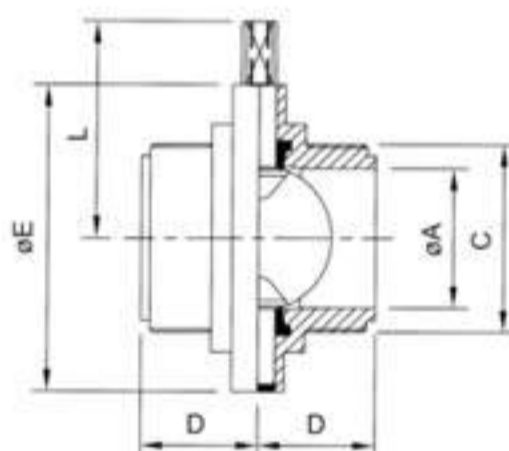
SMS螺纹蝶阀 SMS Male/Male Butterfly Valves

SIZE	$\varnothing A$	C	D	$\varnothing E$	L
DN25	22.5	RD40X1/6	34	79	61
DN38	35.4	RD60X1/6	38	85	64.3
DN51	48	RD70X1/6	40	105	74.3
DN63	60.2	RD85X1/6	40	112	77.6
DN76	72.1	RD98X1/6	41	125	84.8
DN104	100	RD125X1/4	50	157	101.7



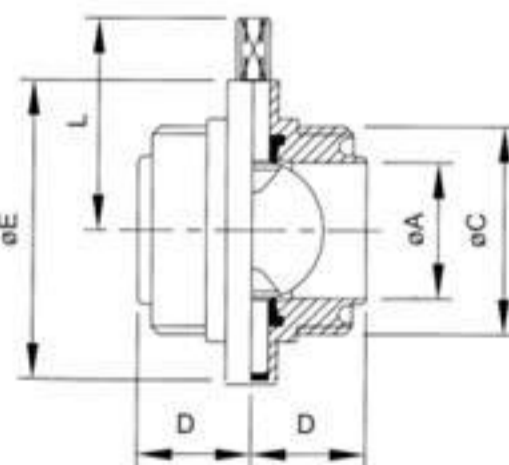
DIN螺纹蝶阀
DIN Male/Male Butterfly Valves

SIZE	ΦA	C	D	ΦE	L
DN28	26	51.3RD52x1/6	34	79	61
DN34	32	57.3RD58x1/6	38	85	64.3
DN40	38	64.3RD65x1/6	38	90	74.3
DN50	50	77.3RD78x1/6	40	105	77.6
DN65	66	94.3RD95x1/6	41	125	84.8
DN85	81	109RD110x1/4	42	137	91.6
DN101.6	97.6	129RD130x1/4	50	157	101.7
DN104	100	129RD130x1/4	50	157	101.7



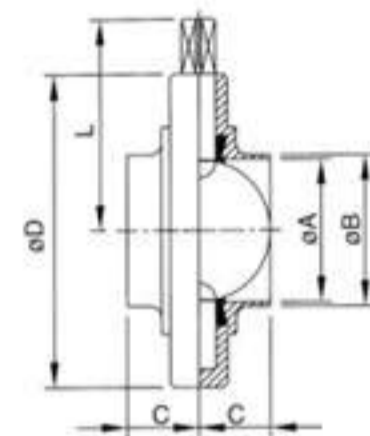
IDF螺纹蝶阀
IDF Male/Male Butterfly Valves

SIZE	ΦA	C	D	ΦE	L
1.0"	22.4	37.13x8T ACME	34	79	61
1.5"	35.1	50.65x8T ACME	38	85	64.3
2.0"	47.8	64.16x8T ACME	40	105	74.3
2.5"	60.5	77.76x8T ACME	40	112	77.6
3.0"	72	91.19x8T ACME	41	125	84.8
4.0"	97.6	125.9x6T ACME	44	157	101.7



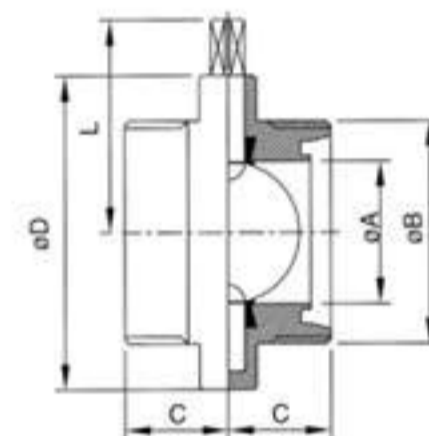
RJT螺纹蝶阀
RJT Male/Male Butterfly Valves

SIZE	ΦA	C	D	ΦE	L
1.0"	22.1	45.72x8T WHIT	34	79	61
1.5"	34.9	58.42x8T WHIT	38	85	64.3
2.0"	47.6	72.72x6T WHIT	40	105	74.3
2.5"	60.3	85.42x6T WHIT	40	112	77.6
3.0"	73	98.12x6T WHIT	41	125	84.8
4.0"	97.6	123.52x6T WHIT	50	157	101.7



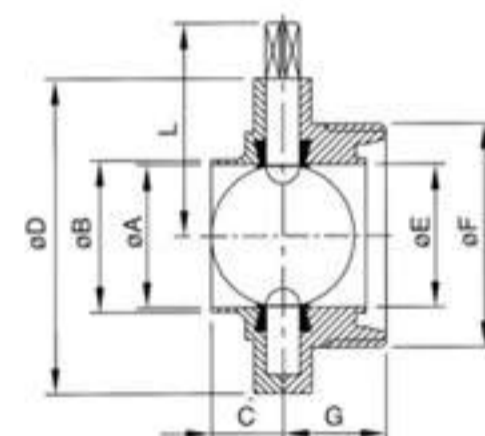
DIN焊接蝶阀
DIN Weld/Weld Butterfly Valves

SIZE	ΦA	ΦB	C	ΦD	L
DN25	26	29	20	87	61
DN32	32	35	21	92	64.25
DN40	38	41	25	97	66.7
DN50	50	53	25	110	74.3
DN65	66	70	25	127	84.75
DN85	81	85	30	142	91.6
DN100	100	104	32	162	101.75



DIN螺纹蝶阀
DIN Male/ Male Butterfly Valves

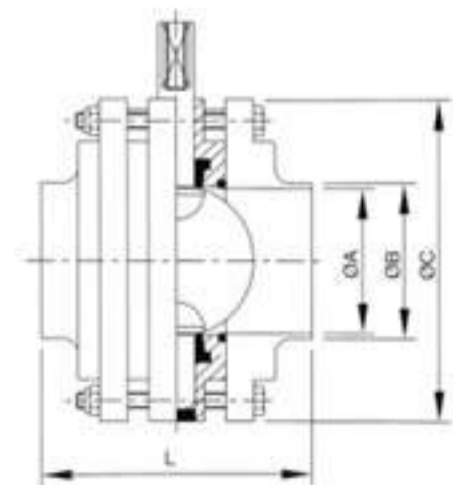
SIZE	ΦA	ΦB	C	ΦD	L
DN25	26	51.3-RD52x1/6	32	87	61
DN32	32	57.3-RD58x1/6	32	92	64.25
DN40	38	64.3-RD65x1/6	36	97	66.7
DN50	50	77.3-RD78x1/6	36	110	74.3
DN65	66	94.3-RD95x1/6	38	127	84.75
DN85	81	109-RD110x1/4	50	142	91.6
DN100	100	129-RD130x1/4	52	162	101.75



DIN焊接/螺纹蝶阀
DIN Weld/ Male Butterfly Valves

SIZE	ΦA	ΦB	C	ΦD	ΦE	ΦF	G	L
DN25	26	29	20	87	26	51.3-RD52x1/6	32	61
DN32	32	35	21	92	32	57.3-RD58x1/6	32	64.25
DN40	38	41	25	97	38	64.3-RD65x1/6	36	66.7
DN50	50	53	25	110	50	77.3-RD78x1/6	36	74.3
DN65	66	70	25	127	66	94.3-RD95x1/6	38	84.75
DN85	81	85	30	142	81	109-RD110x1/4	50	91.6
DN100	100	104	32	162	100	129-RD130x1/4	52	101.75

3Piece G Type Butterfly Valves



3片式G型蝶阀
DIN Weld/Weld Butterfly Valves

SIZE	ΦA	ΦB	ΦC	L
DN25	26	29	87	90
DN32	32	35	92	90
DN40	38	41	97	100
DN50	50	53	110	100
DN65	66	70	127	100
DN85	81	85	142	136
DN100	100	104	162	136



气动蝶阀

Auto control Actuator For Butterfly valve

- 诚信为本
- Honesty

- 服务至上
- Service-oriented



酒用蝶阀和球阀

Wine Butterfly Valves and Ball Valves

气动蝶阀 Actuator for Butterfly Valve

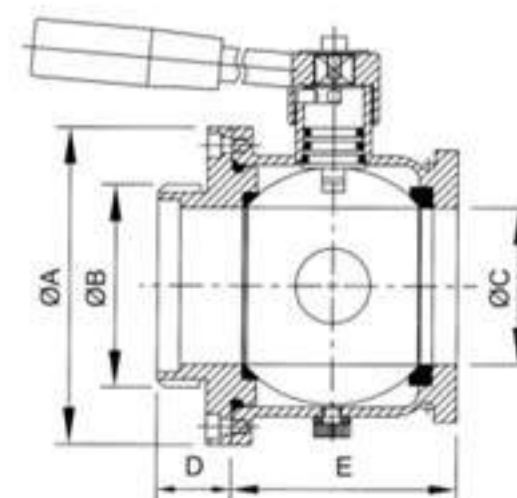
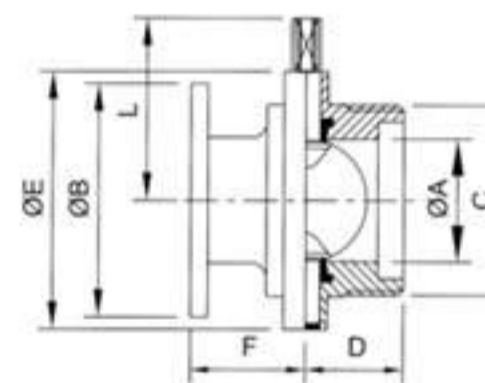
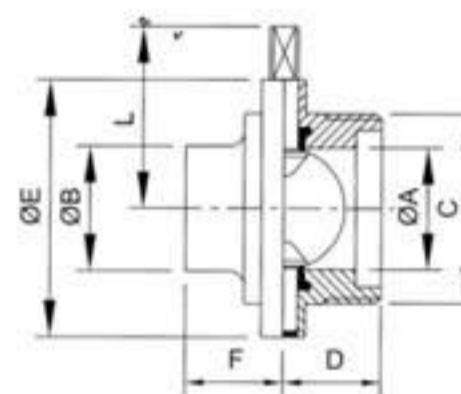
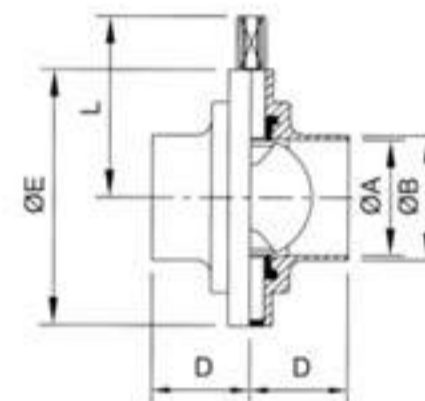


多功能蝶阀自动控制器 auto control actuator for butterfly valve



Operation instruction(使用说明)

- 1.C3 Actuator apply to butterfly valve in size 1"-3" of the disc head DIA. 12mm X8mm.(other size can be required)
- 2.Signal transfer: can be connect with M18 or M12 screw proximity switch(PNP or NPN)
- 3.Air/Air(double effect) actuator or air/spring(single effect) actuator are available.
- 4.Accessories:adapter:1pc; M6X35 screw:2pcs; washer:4pcs; M6 nut:2pcs;1/8PT quick coupler:1pc



酒用焊接蝶阀 Wine Weld/Weld Butterfly Valves

SIZE	ΦA	ΦB	D	ΦE	L
DN40/43	40	43	37	90	61
DN50/53	50	53	40	105	64.3
DN60/63	60	63	40	112	74.3
DN70/73	70	73	41	125	77.6
DN80/83	80	83	40	137	84.3
DN100/103	100	103	44	157	101.6

酒用焊接蝶阀 Wine Weld/Male Butterfly Valves

SIZE	ΦA	ΦB	C	D	ΦE	F	L
DN40/43	40	43	55x3	37	90	37	61
DN50/53	50	53	67x3	40	105	40	64.3
DN60/63	60	63	79x3.5	40	112	40	74.3
DN70/73	70	73	90x3.5	41	125	41	77.6
DN80/83	80	83	102x4	40	137	40	84.3
DN100/103	100	103	125x4	45	157	44	101.6

螺纹/法兰蝶阀 Wine Male/Flange Butterfly Valves

SIZE	ΦA	ΦB	C	D	ΦE	F	L
DN40/43	40	100	55x3	37	90	37	61
DN50/53	50	100	67x3	40	105	40	64.3
DN60/63	60	120	79x3.5	40	112	40	74.3
DN70/73	70	120	90x3.5	41	125	41	77.6
DN80/83	80	140	102x4	40	137	40	84.3
DN100/103	100	140	125x4	44	157	55	101.6

螺纹/法兰球阀 Wine Ball Valves Male/Flange

SIZE	A	B	C	D	E
DN43	94	54.5	40	32.6	72
DN53	105	66.5	50	33	79
DN73	140	89.5	69	33	100



止回阀系列 Range Of Non-Return Valve

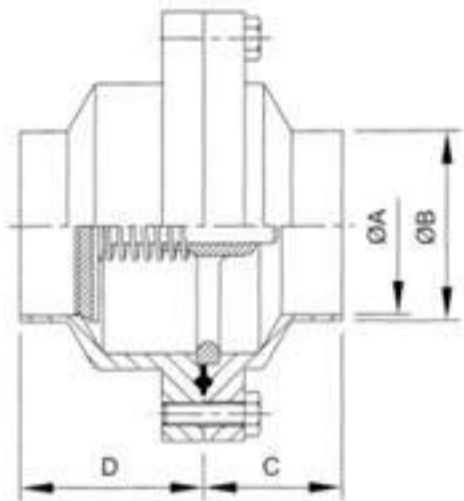
- 诚信为本
- Honesty

- 服务至上
- Service-oriented



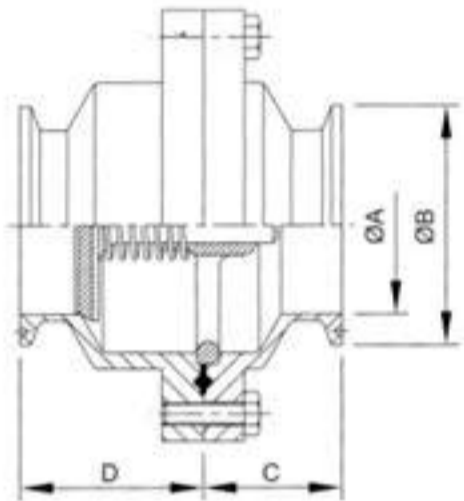
卫生级球阀

Sanitary-Ball Valve For Food And Bpe
Use With Iso Mount Plate Weld/Male clamp end -Fulled Cavity Seat!!!



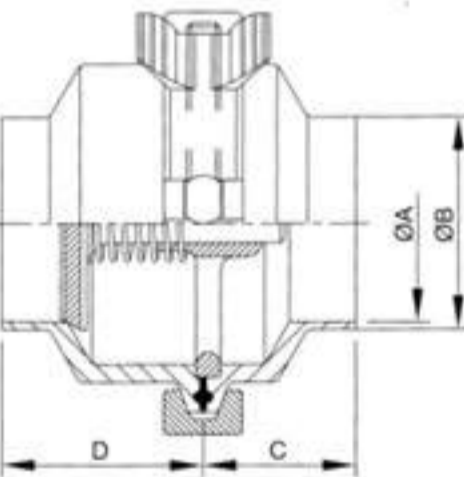
焊接止回阀
Check Valve Middle Flange/Weld END

3A/BS	ΦA	ΦB	DIN	ΦA	ΦB	SMS	ΦA	ΦB	C	D
1/2"	9.4	12.7							34	23
3/4"	15.8	19.05							34	23
1.0"	22.2	25.4	DN25	25	28	DN25	22.5	25	34	48
1.5"	34.9	38.1	DN32	31	34	DN38	35.5	38	36	48
2.0"	47.6	50.8	DN40	37	40	DN51	48.5	51	36	48
2.5"	60.3	63.5	DN50	49	52	DN63	60.3	63.5	36	48
3.0"	73	76.2	DN65	66	70	DN76	72.1	76.1	36	48
4.0"	97.6	101.6	DN100	100	104	DN104	100	104	47	54



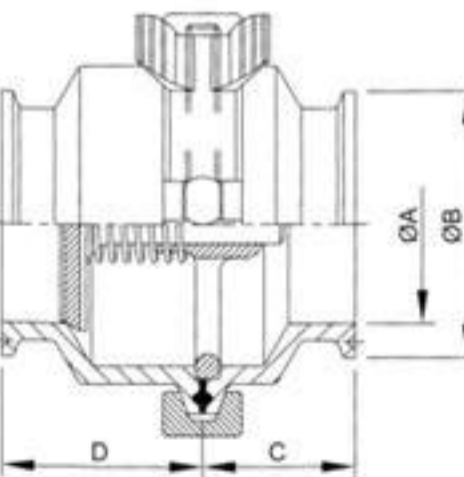
快装止回阀
Check Valve Middle Flange/Clamp END

3A/BS	ΦA	ΦB	DIN	ΦA	ΦB	C	D
1/2"	9.5	25.2				39.5	28.5
3/4"	15.9	25.2				39.5	28.5
1.0"	22.1	50.5	DN25	22.5	50.5	34	48
1.5"	34.8	50.5	DN38	35.5	50.5	36	48
2.0"	47.5	64	DN51	48.5	64	36	48
2.5"	60.2	77.5	DN63	60.3	77.5	36	48
3.0"	72.9	91	DN76	72.1	91	36	48
4.0"	97.6	119	DN104	100	119	47	54



一边快装一边焊接止回阀
Check Valve Middle Clamp/Weld END

3A/BS	ΦA	ΦB	DIN	ΦA	ΦB	SMS	ΦA	ΦB	C	D
1/2"	9.5	12.7							24	34
3/4"	15.8	19.05							24	34
1.0"	22.1	25.4	DN25	25	28	DN25	22.5	25	34	48
1.5"	34.8	38.1	DN32	31	34	DN38	35.5	38	36	48
2.0"	47.5	50.8	DN40	37	40	DN51	48.5	51	36	48
2.5"	60.2	63.5	DN50	49	52	DN63	60.3	63.5	36	48
3.0"	72.9	76.2	DN65	66	70	DN76	72.1	76.1	36	48
4.0"	97.6	119	DN100	100	104	DN104	100	104	47	54



两端快装止回阀
Check Valve Middle Clamp/Clamp END

3A/BS	ΦA	ΦB	DIN	ΦA	ΦB	SMS	ΦA	ΦB	C	D
1/2"	9.5	25.2							28.5	39.5
3/4"	15.8	25.2							28.5	39.5
1.0"	22.1	50.5	DN25	25	50.5	DN25	22.5	50.5	34	48
1.5"	34.8	50.5	DN32	31	50.5	DN38	35.5	50.5	36	48
2.0"	47.5	64	DN40	37	64	DN51	48.5	64	36	48
2.5"	60.2	77.5	DN50	49	77.5	DN63	60.3	77.5	36	48
3.0"	72.9	91	DN65	66	91	DN76	72.1	91	36	48
4.0"	97.6	119	DN100	100	119	DN104	100	119	47	54

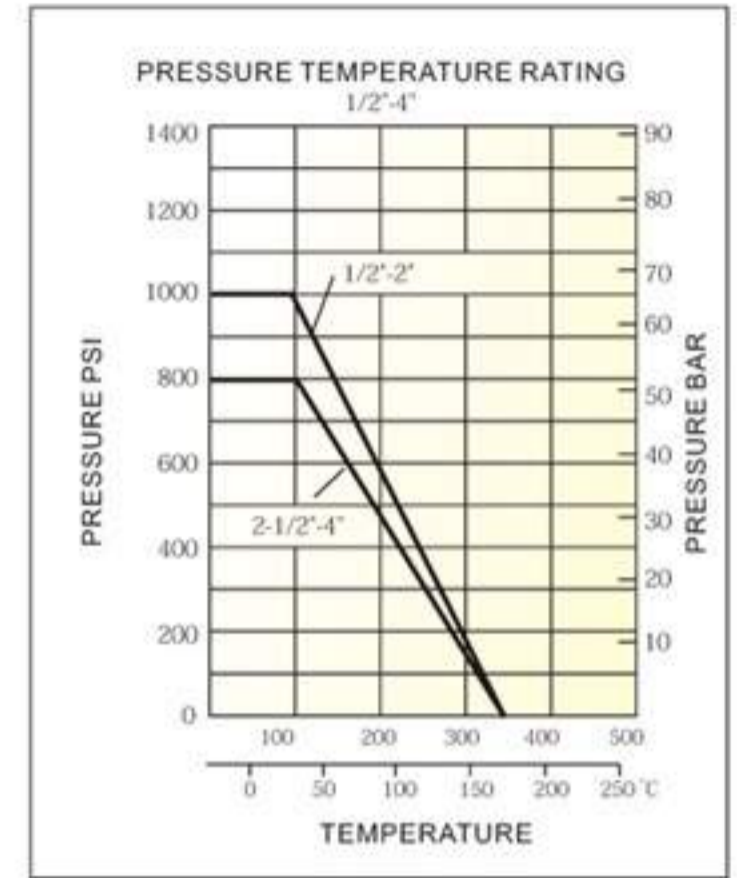
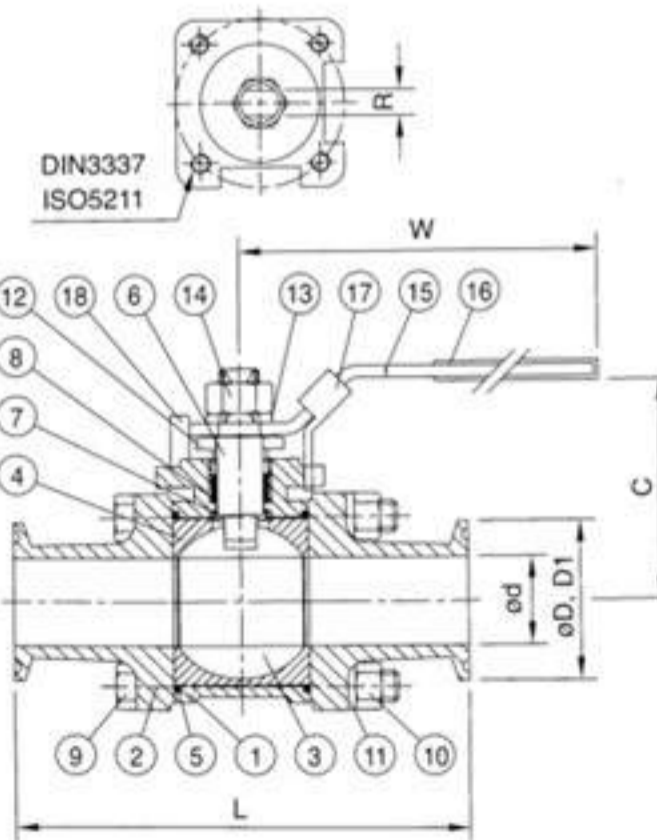


全包式球阀

- Locking device can be required.
- 100% air tested under water at 100%psi, open and closed positions
- Hydrostatic test pressure 1/4"-2" 1,500psi, 2 1/2"-4" 1,200psi.

Standard End :Weld & Clamp-End

Other SMS ,DIN, RJT, IDF
Male/Male can be required.



Specifications for Clamp & Weld End

SIZE	DN	ISO5211	C	L	W	Φd	ΦD	ΦD1	R	L1
1/2"	15	F03	55	89	132	9.5	25.4	12.7	5	32.75
3/4"	20	F03	60	101	131.5	15.9	25.4	19.05	5	36.5
1"	25	F04	69	114	165	22.2	50.4	25.4	6.5	40
1-1/2"	40	F05	84	140	194.3	35	50.4	38.1	8.5	43.5
2"	50	F05	92	156	194.3	47.6	63.9	50.8	8.5	45.75
2-1/2"	65	F07	126.8	197	252	60.3	77.5	63.5	12	56
3"	80	F07	136	229	252	73	90.9	76.2	12	64.5
4"	100	F10	158.8	242.7	333	97.4	118.9	101.6	16	60.6

*ΦD=Clamp End *ΦD=Weld End

NO	PART NAME	MATERIAL
1	BODY	ASTM-A351-CF8M
2	CAP	ASTM-A351-CF8M
3	BALL	A351-CF8M
4	SEAT	PTFE
5	GASKET	PTFE
6	STEM	316
7	THRUST WASHER	PTFE
8	STEM PACKING	PTFE
9	BOLT	304
10	HEX NUT	304
11	BOLT WASHER	304
12	GLAND	304
13	WASHER	304
14	NUT	304
15	HANDLE	304
16	PLASTIC COVER	PLASTIC
17	LOCK DEVICE	304
18	STOP PIN	304



齐力流体与世界同步
QL fluid synchronizing with the world

客户定制非标产品
Non-standard products



CLAMPED CHECK VALVE WITH RJT NUT AND DRAIN



SIGHT GLASS STYLE BUTTERFLY VALVE



Sanitary Cartridge (SC) Check valve



Clamp "L" Body Relief Valve



Air Release Valve



Air Blow Check Valve



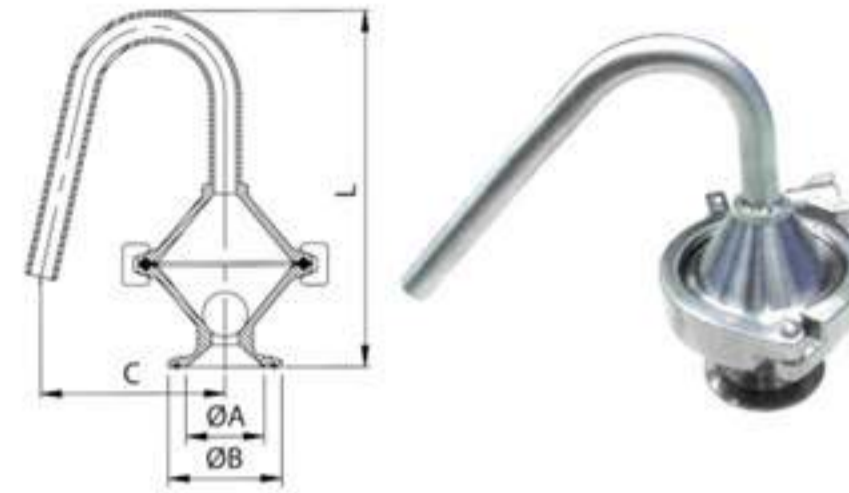
Tee Style Butterfly Valve with One Pulling Handle



CHECK VALVE



Tank vent



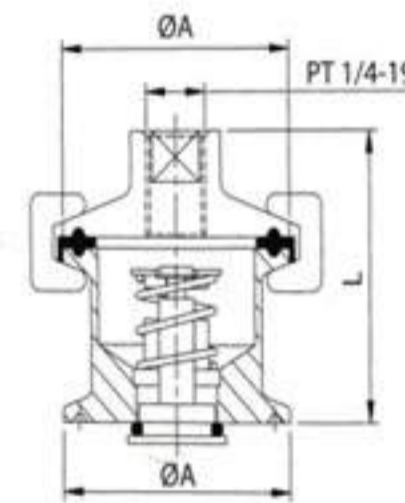
- Material: SUS304 or SUS316L Forged or Solid Bar Body.
- Surface: Polished, Electric Polished. ID Ra<0.8um. or 0.4um.
- Can be make your requirement design.

空气减压阀
Relief out over-load Air Pressure on your Tank or Pipe Line.
Air Release Valve

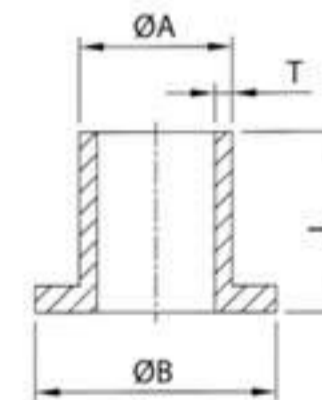
SIZE	ØA	ØB	ØC	L
1.0"	22.1	50.5	82	158
1.5"	34.8	50.5	82	158
2.0"	47.5	64	82	158

For Air Clean out the pipe Line.
Air Blow Valve

SIZE	ØA	ØB
1.0"/1.5"	50.5	55
2.0"	34.8	55



Kinds of Parts



14VB 接头
14VB STUB END

SIZE	ØA	ØB	ØT	L
1.0"	25.4	50.8	1.65	41.3
1.5"	38.1	73	1.65	44.5
2.0"	50.8	92.1	1.65	38.1
2.5"	63.5	104.8	1.65	50.8
3.0"	76.2	127	1.65	57.2
4.0"	101.6	157.2	2.1	66.7
6.0"	152.4	215.9	2.77	76.2

16W 封头
16W CAP

SIZE	ØA	T	L
1.0"	25.4	1.65	19.1
1.5"	38.1	1.65	14.2
2.0"	50.8	1.65	19.1
2.5"	63.5	1.65	25.4
3.0"	76.2	1.65	31.8
4.0"	101.6	2.1	38.1



管道系列 Width Range Tube Line

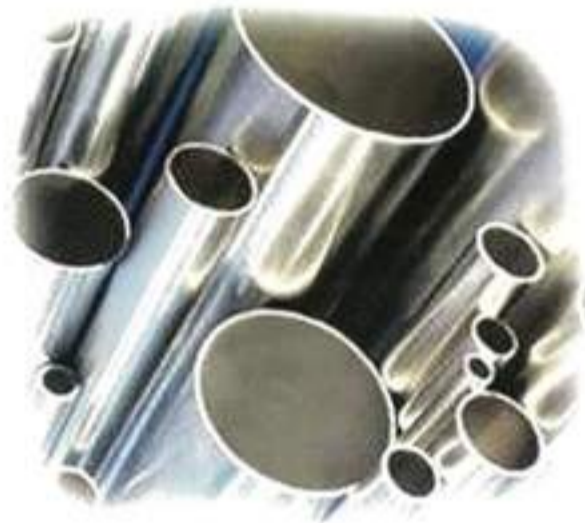
- 诚信为本
- Honesty

- 服务至上
- Service-oriented



卫生级视镜 Range of Hygienic Sight Glass

Sanitary Tubes For Biochemistry, Pharmaceutical, Fild...etc.



BPE standard			SMS standard			IDF standard			3A sanitary standard			DIN 11850		
SIZE	OD	T	SIZE	O.D	T	SIZE	O.D	T	SIZE	O.D	T	SIZE	O.D	T
1/2"	12.7	1.65												
1.0"	25.4	1.65	25	25	1.25	1.0"	25.4	1.2	25.4	1.65	25	28	28	1
														1.5
			32	32	1.25	1.25"	31.8	1.2				32	34	1
														1.5
1.5"	38.1	1.65	38	38	1.25	1.5"	38.1	1.2	38.1	1.65	40	40	40	1
														1.5
2.0"	50.8	1.65	51	51	1.25	2.0"	50.8	1.5	50.8	1.65	50	52	50	1
														1.5
2.5"	63.5	1.65	63.5	63.5	1.5	2.5"	63.5	2	63.5	1.65	65	70	65	2
3.0"	76.2	1.65	76	76.1	1.6	3.0"	76.3	2	76.2	1.65	80	85	80	2
4.0"	101.6	2.11	104	104	2	4.0"	101.6	2	101.6	1.65	100	104	100	2
										2.11				

QL Sanitary for food, and pharmaceutical industry

Material: ASTM 304, 304L, 316L

Spec: ASTM A269, A270.

Surface & Roughness:

1. OD/ID Pickle ($Ra \leq 1.0 \mu m$)

2. Polished:

(1) ID Polished to 180 Grit ($RA \leq 0.8 \mu m$)

(2) ID Polished to 240 Grit ($RA \leq 0.6 \mu m$)

(3) ID Polished to 320 Grit ($RA \leq 0.5 \mu m$)

(4) ID Polished to 420 Grit ($RA \leq 0.4 \mu m$)

(5) Electro polished:

(5-1) ID Electro polished ($Ra \leq 0.5 \mu m$).

(5-2) ID Electro polished ($Ra \leq 0.38 \mu m$).



卫生级视镜 Range of Hygienic Sight Glass



齐力卫生级视镜系列

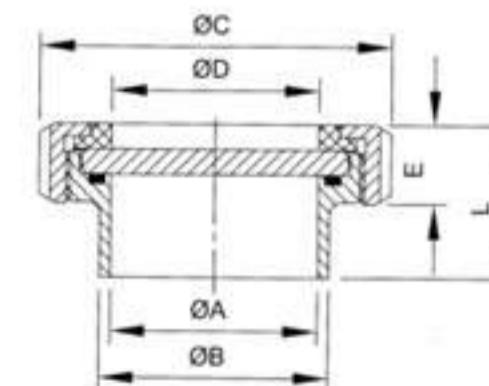
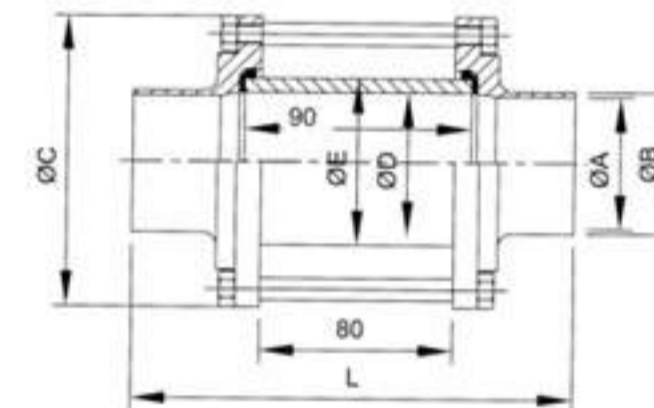
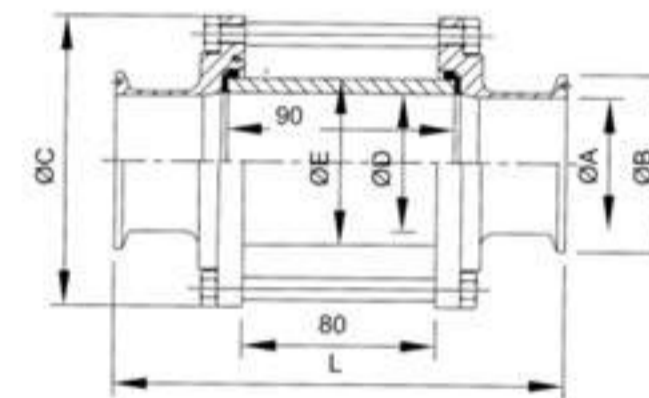
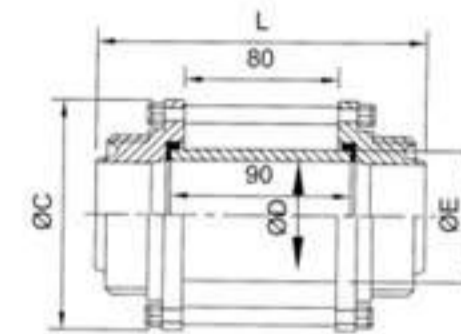
QL Range Of Hygienic Sight Glass:

Glass: Clean, High Press Glass, Max Work 10 bar. Can be changeable.

Body: SUS304, 316, 316L Precision Machined Body. With Width Connection End. 3A, DIN, SMS, RJT, IDF Male/Male, Weld and Female End.

Screw Bolt: Full Stainless Steel.

Seal: EPDM, Silicon and Viton.



RJT, SMS, DIN, IDF-螺纹视镜

RJT, SMS, DIN, IDF-Male End Sight Class

SIZE	L	ØC	ØD	ØE
25	148	79	26	32
38	156	85	34	40
51	160	105	50	60
63.5	160	112	65	75
76	162	125	75.4	85
104	168	157	100	110

3A/BS快装视镜

3A/BS Clamp End Sight-glass

SIZE	ØA	ØB	ØC	ØD	ØE	L
1.0"	22.1	50.5	79	26	32	143
1.5"	34.8	50.5	85	34	40	146
2.0"	47.5	64	105	50	60	150
2.5"	60.2	77.5	112	65	75	150
3.0"	72.9	91	125	75.4	85	156
4.0"	97.6	119	157	100	110	156

3A/BS焊接视镜

3A/BS Weld End Sight-glass

SIZE	ØA	ØB	ØC	ØD	ØE	L
1/2"	9.4	12.7	47	10.2	15	106
3/4"	15.75	19.05	47	17	22	106
1.0"	22.1	25.4	79	26	32	148
1.5"	34.8	38.1	85	34	40	156
2.0"	47.5	50.8	105	50	60	160
2.5"	60.2	63.5	112	65	75	160
3.0"	72.9	76.2	125	75.4	85	162
4.0"	97.6	101.6	157	100	110	167

SMS焊接视镜

SMS Weld End Sight-glass

SIZE	ØA	ØB	ØC	ØD	ØE	L
DN25	22.5	25	79	26	32	148
DN38	35.4	38	85	34	40	156
DN51	48	51	105	50	60	160
DN63.5	60.2	63.5	112	65	75	160
DN76	72	76	125	75.4	85	162
DN104	100	104	157	100	110	168

视镜接头

Weld End Sight-glass

SIZE	ØA	ØB	ØC	ØD	ØE	L
DN65	66	73	112	66	25	48.5
DN80	80	93	127	82	29	52.5
DN100	98	113	148	100	31	60.5



卡箍系列 Heavy Duty Clamp-ring(mm)

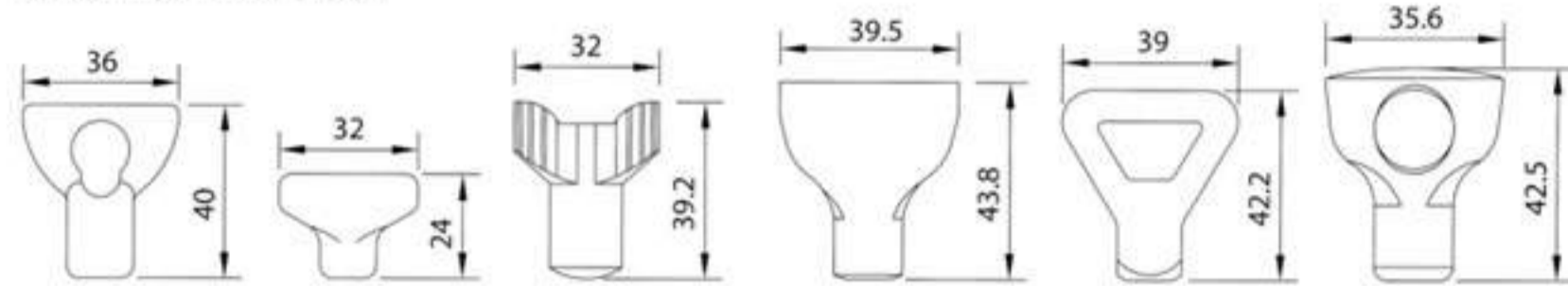
- 诚信为本
- Honesty

- 服务至上
- Service-oriented

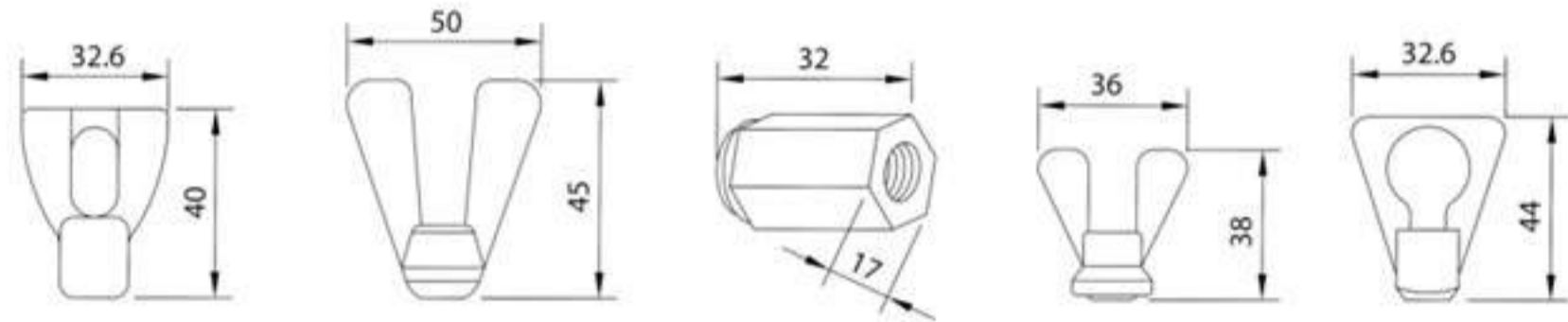


卡箍系列 Heavy Duty Clamp-ring(mm)

各种卡箍螺母
WING-NUT FOR CLAMP

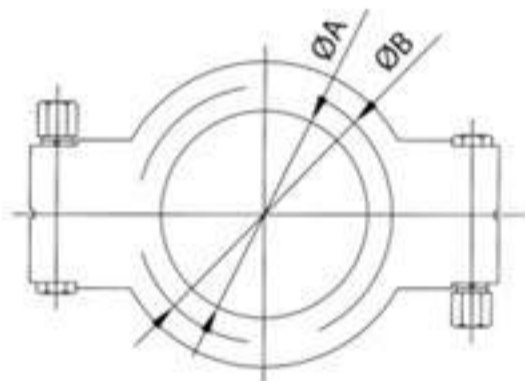


13MHH-8 13MHH-10 13MHH-11 13MHH-12 13MHH-13 13MHH-14



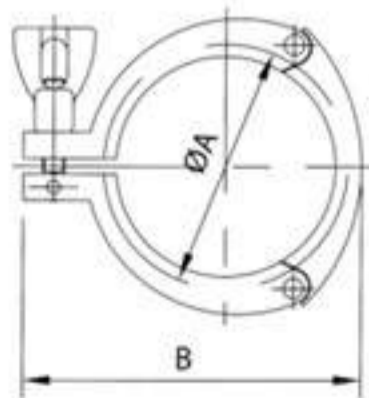
13SP-2 F2 H17 T1 G1-M10

高压卡箍螺杆带黄铜螺母
13MHP HIGH PRESSURE
CLAMP WITH SCREW BOLT BRASS NUT

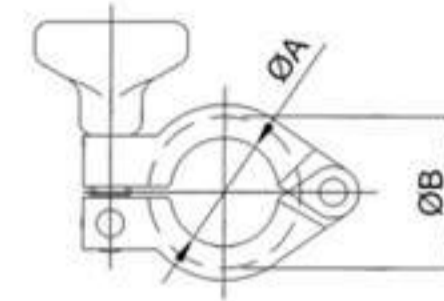


SIZE	ΦA	ΦB
3/4"	20	28
1.5"	43.32	52
2.0"	56.44	65.5
2.5"	69.54	79
3.0"	77.56	92.5
4.0"	108.86	120.5
6.0"	158	170
6.5"	173	186.2
10"	258	272.8
12"	309	327.6

3片式卡箍
13MHHS 3 PLECES CLAMP



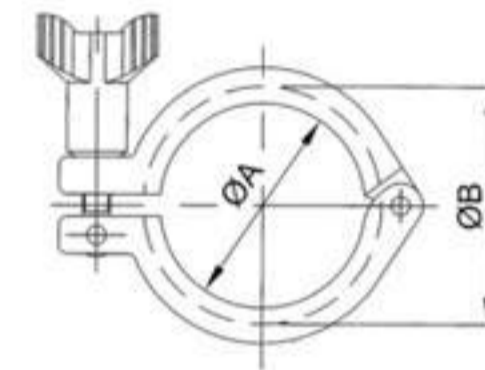
SIZE	ΦA	ΦB
1.5"	54	80
2.0"	67.5	94
2.5"	80.9	109
3.0"	94	126
4.0"	122.4	154



单销卡箍
13MHH & 13MHH & 13SF
SIZE:1/2"~3/4"

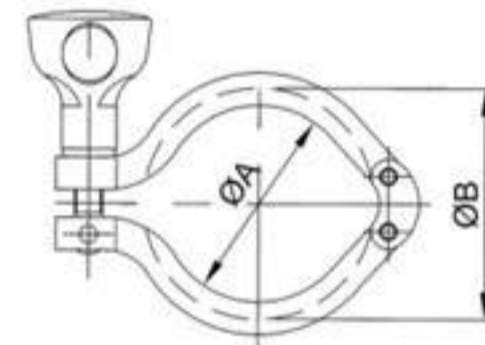
双销卡箍
13MHH Heavy Duty
Single Pin Clamp

SIZE	ΦA	ΦB
1/2"-3/4"	20	28
A37	27.8	37
1.5"	44.4	53.6
2.0"	57.8	67
2.5"	71.4	80.6
3.0"	84	94.2
3.5"	99	109.2
4.0"	110	122.2
4.5"	123	133.2
6.0"	155.4	170.4
8.0"	205	220



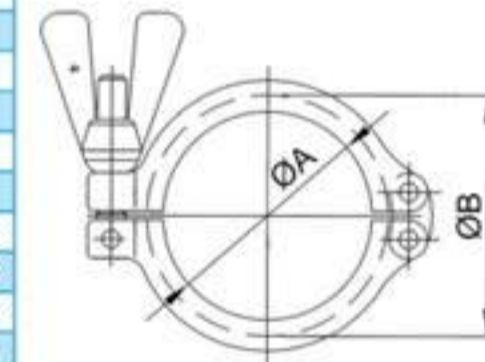
13MHH Heavy Duty
Double pin Clamp

SIZE	ΦA	ΦB
1/2"-3/4"	20	28
1.5"	43.6	53.6
2.0"	57	67
2.5"	70.6	80.6
3.0"	84	94
4.0"	112	122
6.0"	155	170
8.0"	205	220.8



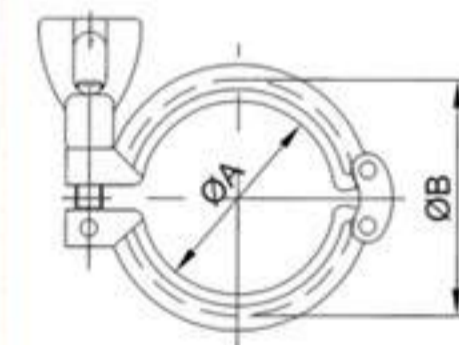
13CS Double Pin Clamp

SIZE	ΦA	ΦB
3/4"	20.58	28.34
DN10-20	27.2	37
1.5"	41.02	53.52
DN25-40	44.5	54.5
2.0"	54.54	67.04
DN50	57	68
2.5"	68.02	80.52
3.0"	81.52	94.02
DN65	84	95
DN80	99	110
4.0"	109.54	122.04
DN100	112	123
DN115	123	134
DN125	144	159
6.0"	157.6	175.1
DN150	172	187
8.0"	207.4	225.9
DN200	222.5	237.5
DN250	257	272
DN300	308	323



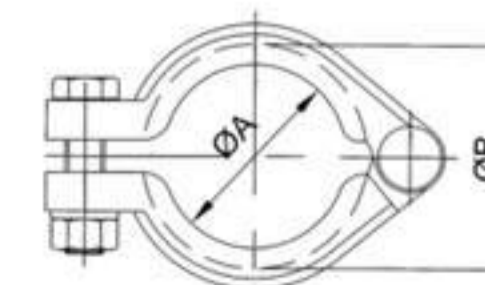
13SF Heavy Duty
Double Pin Clamp

SIZE	ΦA	ΦB
1/2"-3/4"	20	28
A37	27.5	42.9
1.5"	45	53.6
2.0"	59	72
2.5"	67	84
3.0"	85	98
4.0"	114	127



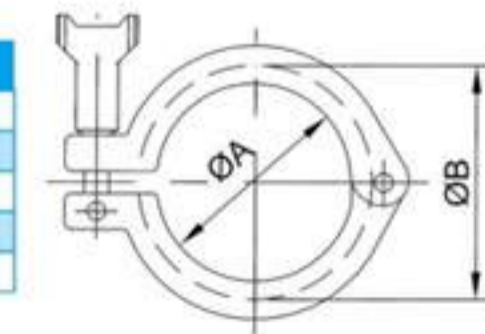
13IU Bolted Clamp

SIZE	ΦA	ΦB
1.5"	45	55
2.0"	63	73
2.5"	74	89
3.0"	88	102
4.0"	111	128



13ISI-line Clamp

SIZE	ΦA	ΦB
1.0"-1.5"	53.4	83.8
2.0"	72.2	111
2.5"	88.1	121.4
3.0"	102.4	136.1
4.0"	127.8	162
6.0"	195.3	242.1





接头系列 Ferrule Adapter(mm)

- 诚信为本
- Honesty

- 服务至上
- Service-oriented

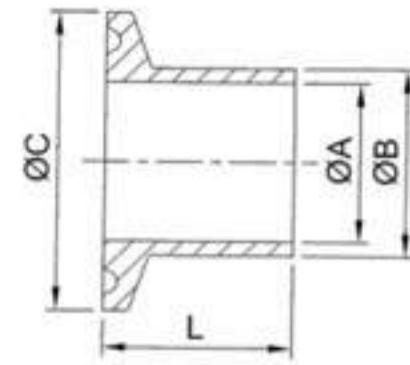


接头系列 Ferrule Adapter(mm)

3A/SMS 接头 Welding Ferrule

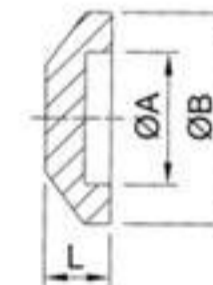
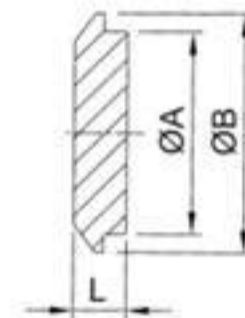
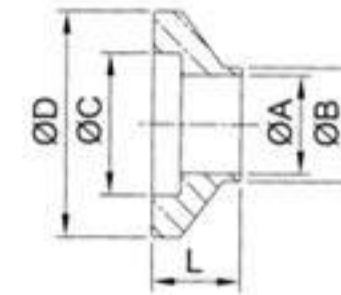
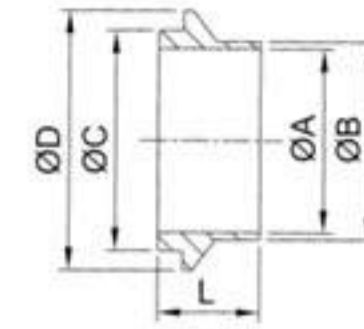
短 中 长
14WMP 14MMP 14AMP

SIZE	ΦA	ΦB	ΦC	L	L	L
1/4"	3.9	6.35	25	12.7	21.5	28.6
1/2"	9.4	12.7	25	12.7	21.5	28.6
DN15	9.7	12.7	25.4	12.7	21.5	28.6
3/4"	15.75	19.05	25	12.7	21.5	28.6
DN20	15.95	19.05	25.4	12.7	21.5	28.6
1"	22.1	25.4	50.5	12.7	21.5	28.6
DN25	22.5	25	50.5	—	21.5	28.6
1.25"	28.45	31.75	50.5	12.7	21.5	28.6
1.5"	34.8	38.1	50.5	12.7	21.5	28.6
DN38	35.5	38.1	50.5	—	21.5	28.6
2.0"	47.5	50.8	64	12.7	21.5	28.6
DN51	48.5	51	64	—	21.5	28.6
2.5"	60.2	63.5	77.5	12.7	21.5	28.6
DN63.5	60.5	63.5	77.5	—	21.5	28.6
DN76	72.9	76.1	91	—	21.5	28.6
3.0"	72.9	76.2	91	12.7	21.5	28.6
DN104	100	104	119	—	21.5	28.6
4.0"	97.4	101.6	119	15.8	21.5	28.6
6.0"	146.86	152.5	166.87	—	21.5	28.6 or 38.1
8.0"	197.66	203.3	217.67	—	21.5	28.6 or 38.1
10"	247.2	254	268.47	—	21.5	28.6 or 38.1
12"	298	304.8	319.27	—	21.5	28.6 or 38.1



ISO接头 ISO Ferrule

SIZE	ΦA	ΦB	ΦC	L	L
DN8	10.3	13.5	34	21.5	28.6
DN12	14	17.5	34	21.5	28.6
DN15	18.1	21.6	34	21.5	28.6
DN20	23.7	26.9	50.5	21.5	28.6
DN25	30.5	33.7	50.5	21.5	28.6
DN32	39.2	42.4	50.5	21.5	28.6
DN40	45.1	48.3	64	21.5	28.6
DN50	56.3	60.3	77.5	21.5	28.6
DN65	72.1	76.1	91	21.5	28.6
DN80	84.9	88.9	106	21.5	28.6
DN100	109.1	114.3	130	21.5	28.6
DN125	133.7	139.7	155	—	28.6
DN150	162.3	168.3	183	—	28.6
DN200	211.1	219.1	233.5	—	28.6



14WI-Ferrule Male

SIZE	ΦA	ΦB	ΦC	ΦD	L
1.0"	22.1	25.65	31.5	50.67	19.84
1.5"	34.8	38.35	44.2	50.67	23.8
2.0"	47.5	51.05	56.9	67.05	26.19
2.5"	60.2	63.75	69.6	84	29.36
3.0"	72.89	76.45	83.82	98.3	30.94
4.0"	97.38	101.85	109.14	123.7	34.11

15WI-Ferrule Female

SIZE	ΦA	ΦB	ΦC	ΦD	L
1.0"	22.1	25.65	31.88	50.67	19.84
1.5"	34.8	38.35	44.58	50.67	23.8
2.0"	47.5	51.05	57.28	67.05	26.19
2.5"	60.2	63.75	69.98	84	29.36
3.0"	72.89	76.45	84.2	98.3	30.94
4.0"	97.38	101.85	109.6	123.7	34.11

14WI-CAP Male

SIZE	ΦA	ΦB	L
1.0"	31.5	50.67	12.37
1.5"	44.2	50.67	12.37
2.0"	56.9	67.05	14.11
2.5"	69.6	84	18.72
3.0"	83.82	98.3	19.32
4.0"	109.14	123.7	19.32

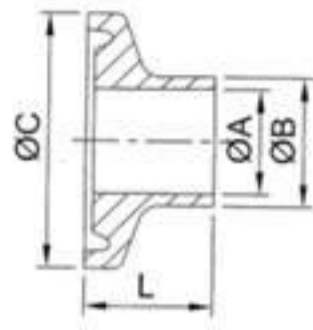
15WI-CAP Female

SIZE	ΦA	ΦB	L
1.0"	31.88	50.67	12.75
1.5"	44.58	50.67	12.75
2.0"	57.28	67.05	17.66
2.5"	69.98	84	18.77
3.0"	84.2	98.3	19.37
4.0"	109.6	123.7	19.37

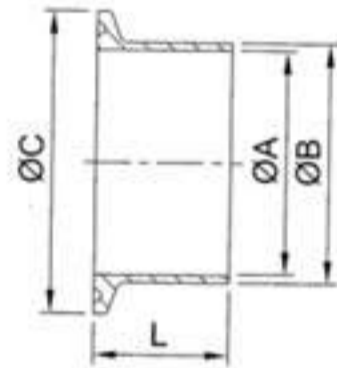
扩展接头 14RMP 3A-Recessless Ferrule

SIZE	ΦA	ΦB	ΦC	L
1.0"	25.5	29.5	50.5	19.1
1.25"	31.9	36.3	50.5	21.5
1.5"	38.2	42.6	50.5	28.6
2.0"	50.9	55.7	64	33.3
2.5"	63.6	68.8	77.5	34.9
3.0"	76.3	81.9	91	36.5
4.0"	101.7	108.1	119	38.1

1/2"~3/4"

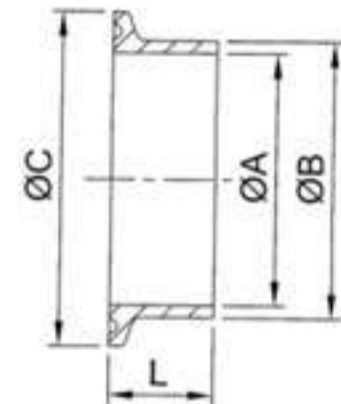
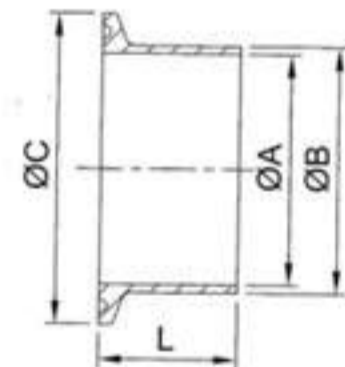


1.0"~12"



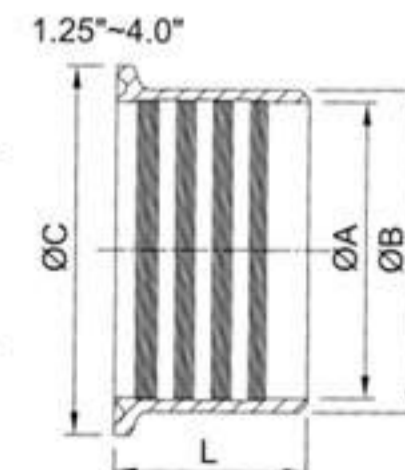
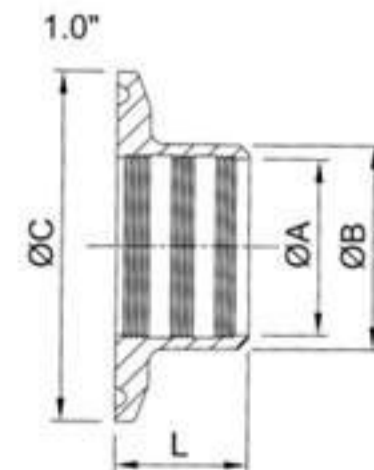
DIN接头 DIN Ferrule

SIZE	ΦA	DA	ΦB	ΦA	DB	ΦC	L	L
DN10	10	13	9	12	34	21.5	28.6	
DN15	16	19	15	18	34	21.5	28.6	
DN20	20	23	19	22	34	21.5	28.6	
DN28	26	29	25	28	50.5	21.5	28.6	
DN34	32	35	31	34	50.5	21.5	28.6	
DN40	38	41	37	40	50.5	21.5	28.6	
DN52	50	53	49	52	64	21.5	28.6	
DN70	66	70	66	70	91	21.5	28.6	
DN85	81	85	81	85	106	21.5	28.6	
DN101.6	97.6	101.6	97.6	101.6	119	21.5	28.6	
DN100	100	104	100	104	119	21.5	28.6	
DN125	125	129	125	129	155	21.5	28.6	
DN150	150	154	150	154	183	21.5	28.6	
DN200	200	204	200	204	233.5	—	28.6	
DN250	250	254	250	254	268.47	—	28.6	
DN300	300	304	300	304	319.27	—	28.6	



罐用接头 14MPW Ferrule For Tank

SIZE	ΦA	ΦB	ΦC	L
1/2"	8.15	12.75	25.2	54
3/4"	14.6	19.05	25.2	54
1.0"	22.1	29.5	50.5	41.3
1.5"	34.8	42.6	50.5	41.3
2.0"	47.5	55.7	64	44.5
2.5"	60.2	68.8	77.5	44.5
3.0"	72.9	81.9	91	46.1
4.0"	97.4	108.1	119	54
6.0"	146.25	157.3	166.87	63.5
8.0"	197.05	208.1	217.67	63.5





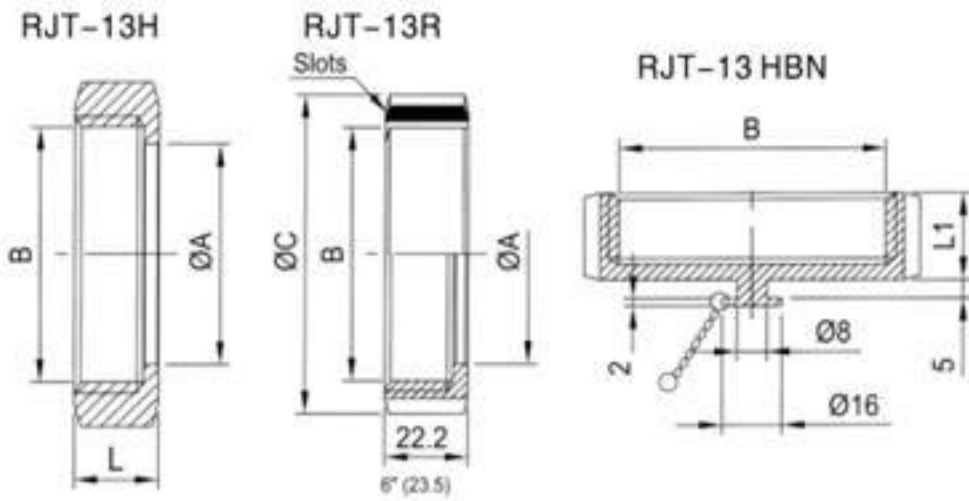
RJT/BS 由任系列
RJT(BS) Unions(mm)

- 诚信为本
- Honesty

- 服务至上
- Service-oriented

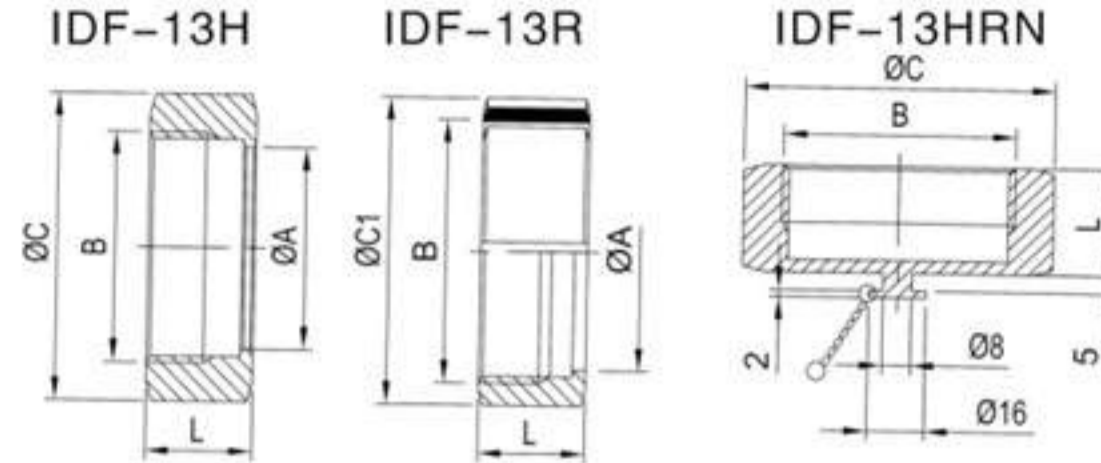


IDF/JIS 由任系列
IDF/JIS G3447 Unions(mm)



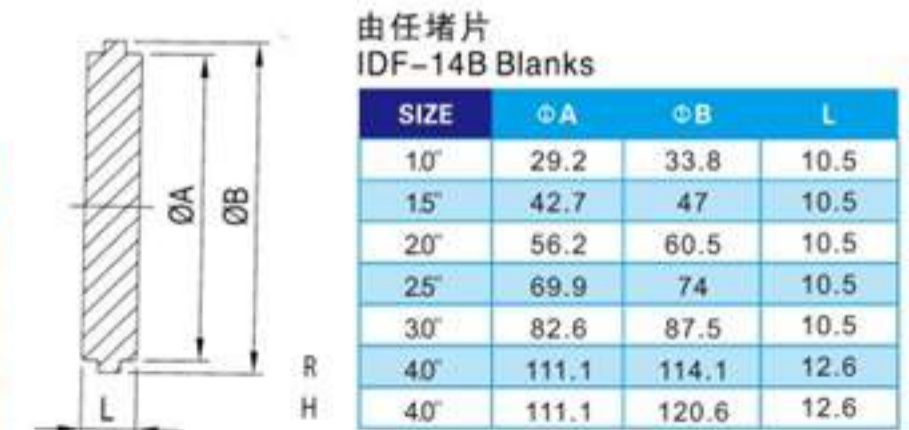
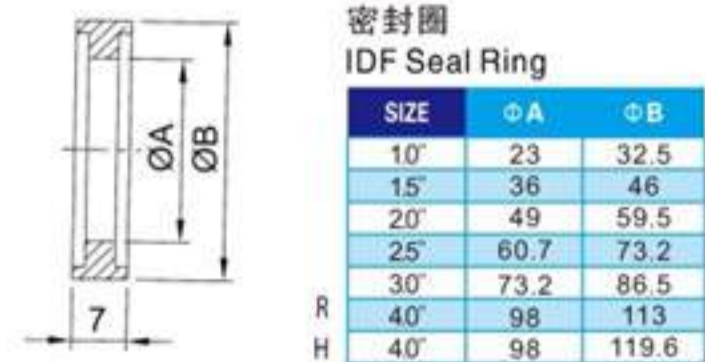
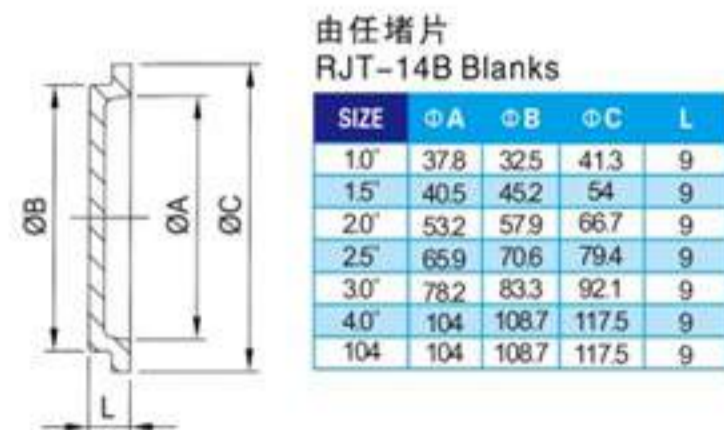
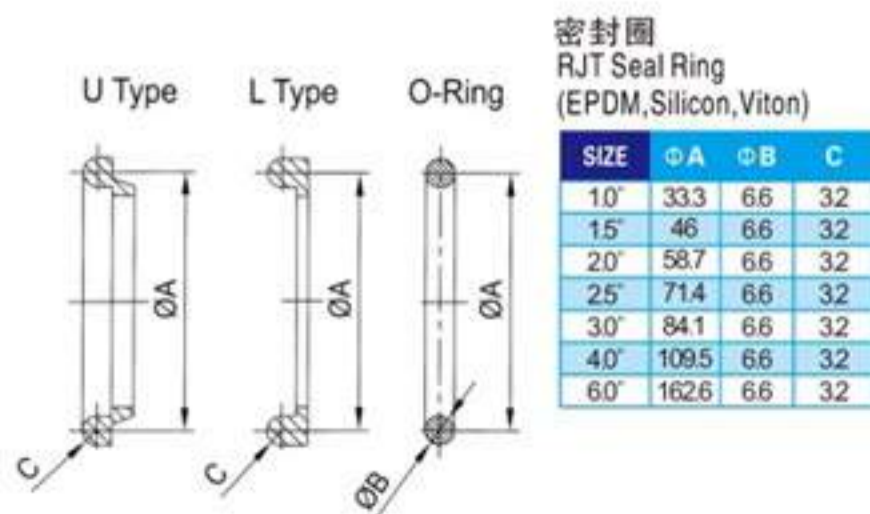
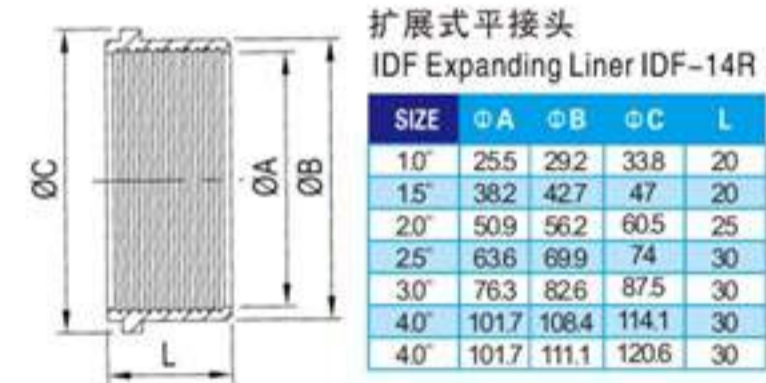
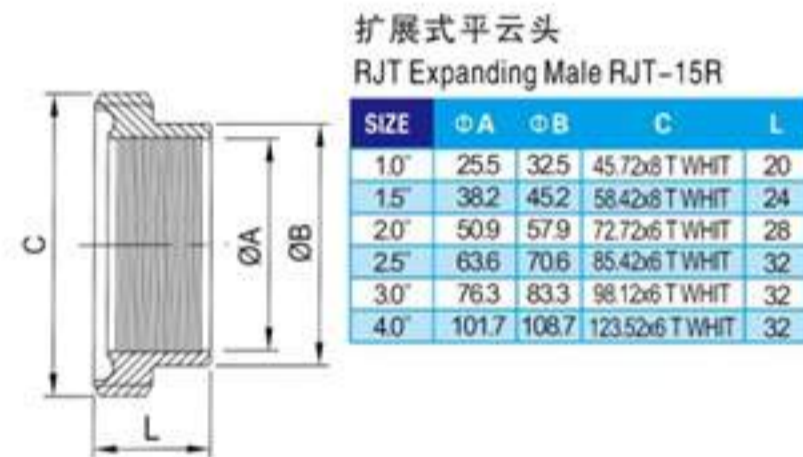
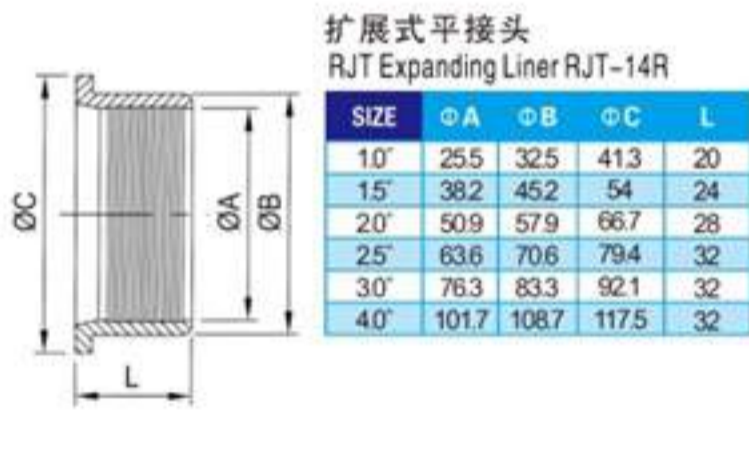
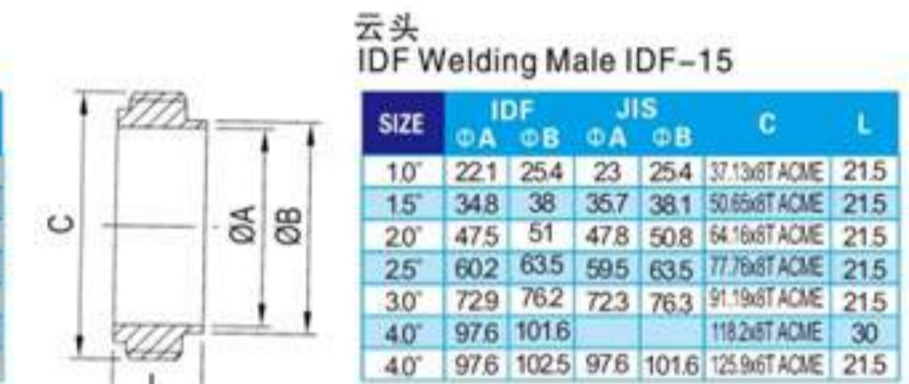
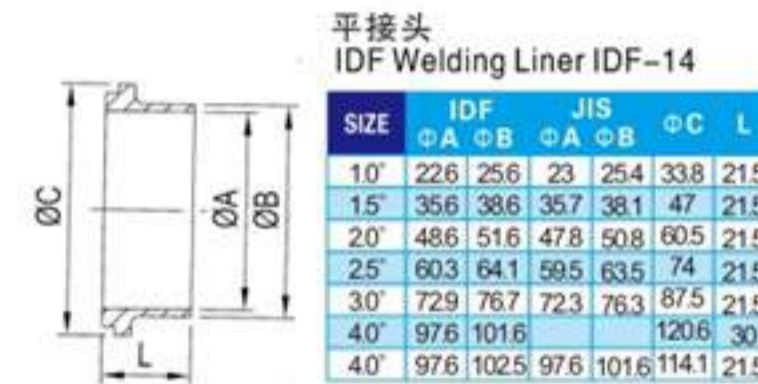
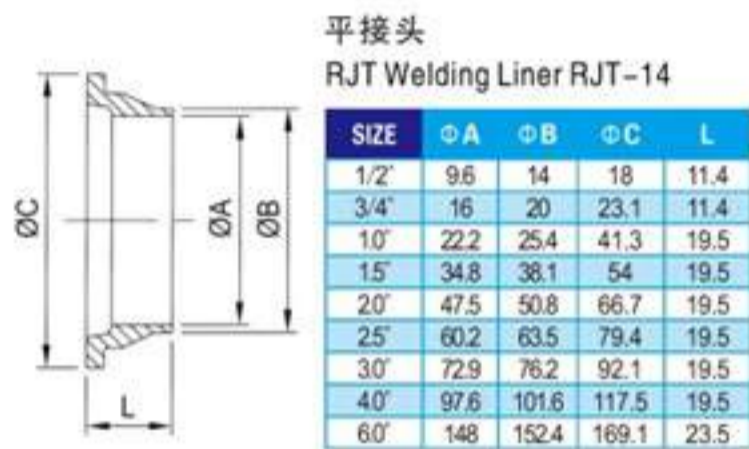
螺母
RJT-13 NUT

SIZE	ØA	B	ØC	L	L1	Slots
1/2"	14.5	19.6x10 TPI WHIT		16		
3/4"	21	26.2x10 TPI WHIT		16		
1.0"	33.45	42.26x8 TPI WHIT	58.5	22.2	23.5	4
1.5"	46	54.98x8 TPI WHIT	74	22.2	23.5	4
2.0"	58.67	67.30x6 TPI WHIT	85.5	22.2	23.5	6
2.5"	71.4	80.62x6 TPI WHIT	98.5	22.2	23.5	6
3.0"	84.1	93.32x6 TPI WHIT	111.6	22.2	23.5	8
4.0"	109.7	118.72x6 TPI WHIT	138	22.2	23.5	8
6.0"	163	189.52x6 TPI WHIT	197	24		10



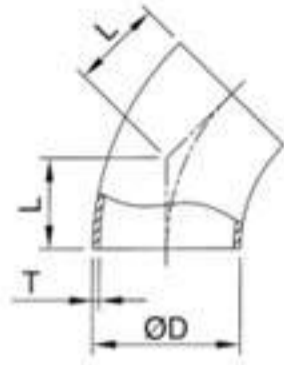
螺母
IDF-13 NUT

SIZE	ØA	B	ØC	ØC1	L
1.0"	30.5	34.34x8T ACME	46	48	30
1.5"	43.5	47.86x8T ACME	60	64	30
2.0"	57	61.37x8T ACME	75	77	30
2.5"	70.7	74.88x8T ACME	90	91	30
3.0"	83.3	88.4x8T ACME	106	106	30
3.0"	83.3	88.4x8T ACME	106	106	30
4.0"	112	115.41x8T ACME	135	135	34.9
4.0"	112	122.05x6T ACME	133	133	34.9





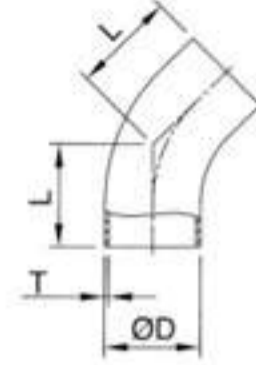
45° 短弯
45° Short Elbow



45° Elbow

SIZE	ΦD	L	T
1.0"	254	158	165
1.5"	38.1	238	165
2.0"	50.8	317.5	165
2.5"	63.5	396	165
3.0"	76.2	476	165
4.0"	101.6	635	21

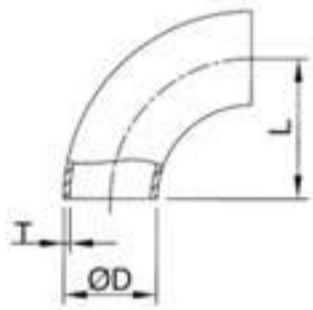
45° 长弯
45° Long Elbow



45° Elbow

SIZE	ΦD	L	T
1.0"	254	302	165
1.5"	38.1	413	165
2.0"	50.8	587	165
2.5"	63.5	762	165
3.0"	76.2	937	165
4.0"	101.6	1222	21

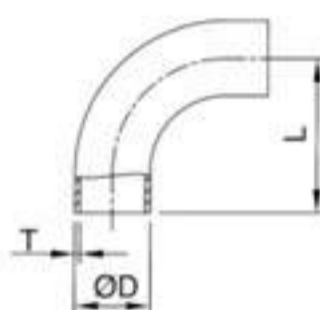
90° 短弯
90° Short Elbow



90° Bend

SIZE	ΦD	L	T
1.0"	254	381	165
1.5"	38.1	572	165
2.0"	50.8	762	165
2.5"	63.5	952.5	165
3.0"	76.2	1143	165
4.0"	101.6	1524	210

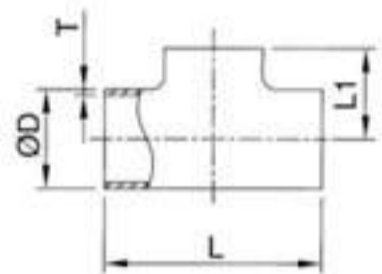
90° 长弯
90° Long Elbow



90° Bend

SIZE	ΦD	L	T
1.0"	254	524	165
1.5"	38.1	746	165
2.0"	50.8	1032	165
2.5"	63.5	1318	165
3.0"	76.2	1603	165
4.0"	101.6	2111	21

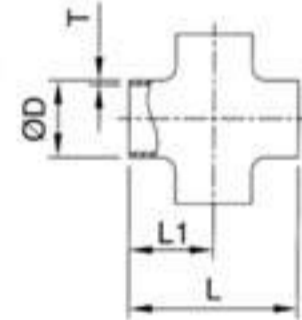
等径三通
Welding Tee



Tee

SIZE	ΦD	L	L1	T
1.0"	254	952	476	165
1.5"	38.1	1144	572	165
2.0"	50.8	1524	762	165
2.5"	63.5	1524	762	165
3.0"	76.2	1652	826	165
4.0"	101.6	1968	984	21

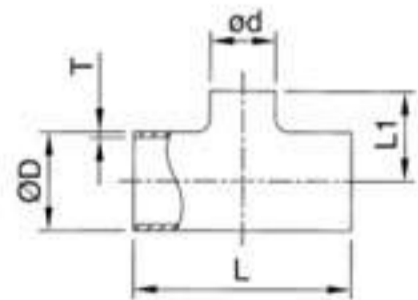
四通
Cross



Cross

SIZE	ΦD	L	L1	T
1.0"	254	952	476	165
1.5"	38.1	1144	572	165
2.0"	50.8	1524	762	165
2.5"	63.5	1524	762	165
3.0"	76.2	1652	826	165
4.0"	101.6	1968	984	21

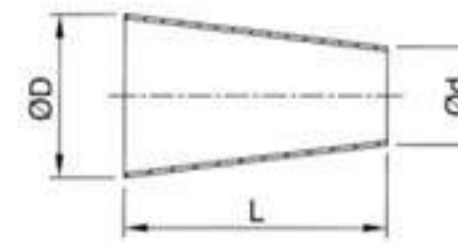
异径三通
Reducing Tee



Reducing Tee

SIZE	ΦD	Φd	L	L1	T
1.5"x1.0"	38.1	25.4	1143	539.8	165
2.0"x1.0"	50.8	25.4	1524	603	165
2.0"x1.5"	50.8	38.1	1524	635	165
2.5"x1.5"	63.5	38.1	1524	698.5	165
2.5"x2.0"	63.5	50.8	1524	825.5	165
3.0"x1.5"	76.2	38.1	1651	762	165
3.0"x2.0"	76.2	50.8	1651	889.0	165
3.0"x2.5"	76.2	63.5	1651	825.5	165
4.0"x2.0"	101.6	50.8	1968	101.6	21
4.0"x2.5"	101.6	63.5	1968	952.5	21
4.0"x3.0"	101.6	76.2	1968	952.5	21

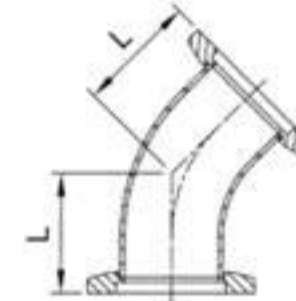
同心大小头
Concentric Reducer



Concentric Reducer

SIZE	ΦD	Φd	L	T
15"x10"	38.1	25.4	50.8	165
20"x15"	50.8	38.1	50.8	165
25"x15"	63.5	38.1	101.6	165
25"x20"	63.5	50.8	50.8	165
30"x15"	76.2	38.1	152.4	165
30"x20"	76.2	50.8	101.6	165
30"x25"	76.2	63.5	50.8	165
40"x15"	101.6	38.1	254	21
40"x20"	101.6	50.8	203.2	21
40"x25"	101.6	63.5	152.4	21
40"x30"	101.6	76.2	101.6	21

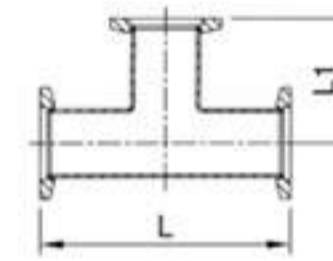
45° 快装弯头
45° Elbow Flange



Tube

SIZE	O.D	L
KF25	1.0"	28.44
KF40	1.5"	42.67
KF50	2.0"	50.54

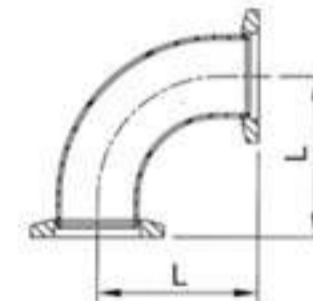
快装三通
Tee Flange



Tube

SIZE	O.D	L	L1
KF25	1.0"	100.07	50.03
KF40	1.5"	130.04	65.02
KF50	2.0"	139.95	70.1

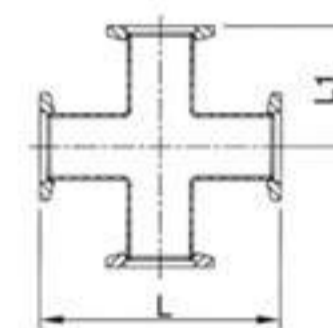
90° 快装弯头
90° Elbow Flange



Tube

SIZE	O.D	L
KF25	1.0"	50.03
KF40	1.5"	65.02
KF50	2.0"	70.1

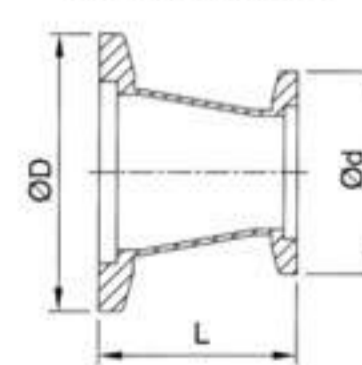
快装四通
4-Way Cross Flange



Tube

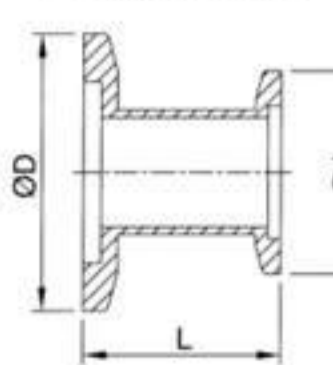
SIZE	O.D	L	L1
KF25	1.0"	100.09	50.03
KF40	1.5"	130.04	65.02
KF50	2.0"	139.95	70.1

同心大小头
Conical Reducer



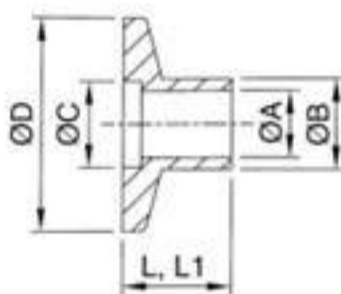
ΦD	Φd	L
KF25	KF16	39.9
KF40	KF16	39.9
KF40	KF25	39.9
KF50	KF16	39.9
KF50	KF25	39.9
KF50	KF40	39.9

直型大小头
Straight Reducer



ΦD	Φd	L
KF25	KF16	39.9
KF40	KF16	39.9
KF40	KF25	39.9
KF50	KF16	39.9
KF50	KF25	39.9
KF50	KF40	39.9

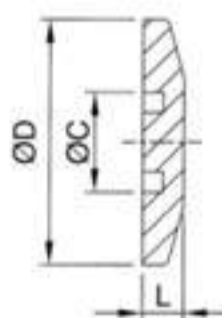
焊法兰
Weld Flange



Weld Flanges

SIZE	ΦA	ΦB	ΦC	ΦD	L	L1
KF-10	9.4	12.7	12.2	30	12.7	40
KF-16	15.7	19.05	17.3	30	12.7	40
KF-25	22.1	25.4	26.2	40	12.7	40
KF-40	33.8	38.1	41.1	55	19.1	40
KF-50	46.5	50.8	52.3	75	19.1	40

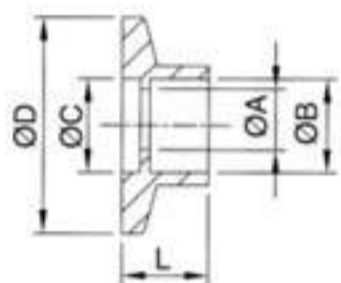
盲法兰
Blank Flange



Blank Flange

SIZE	ΦC	ΦD	L
KF-10	12.2	30	5.1
KF-16	17.3	30	5.1
KF-25	26.2	40	5.1
KF-40	41.1	55	5.1
KF-50	52.3	75	5.1

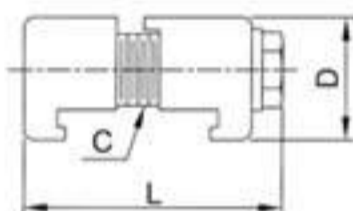
承插焊法兰
Socket Weld Flange



Socket Weld Flange

SIZE	ΦA	ΦB	ΦC	ΦD	L
KF-10	9.4	13.0	12.2	30.0	12.7
KF-16	15.7	19.3	17.3	30.0	12.7
KF-25	22.1	25.7	26.2	40.0	12.7
KF-40	34.8	38.4	41.1	55.0	12.7
KF-50	47.5	51.1	52.3	75.0	12.7

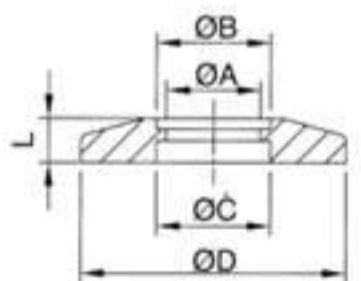
ISO-双爪卡箍
ISO-Double Claw Clamp



Double Claw Clamp

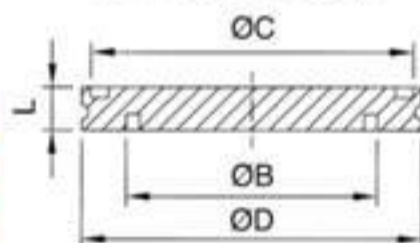
SIZE	C	D	L
ISO-63	M8	24.1	50.3
ISO-80	M8	24.1	50.3
ISO-100	M8	24.1	50.3
ISO-160	M10	27.9	52.1

快装盲板
Bored Flange



SIZE	ΦA	ΦB	ΦC	ΦD	L
KF-10	11.17	12.95	12.2	30	5
KF-16	17.27	19.3	17.3	30	5
KF-25	22.6	25.9	26.2	40	5
KF-40	35.3	38.6	41.1	55	5
KF-50	48	51.3	52.3	75	5

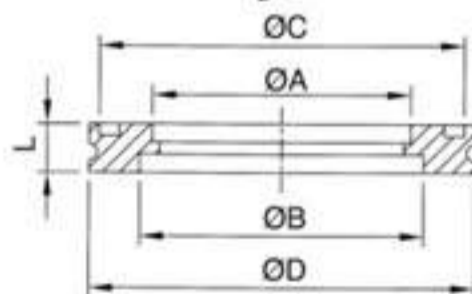
ISO-盲法兰
ISO-Blank Flange



Blank Flange

SIZE	ΦB	ΦC	ΦD	L
ISO-63	70	90	95	12
ISO-80	83	105	110	12
ISO-100	102	125	130	12
ISO-160	153	175	180	12

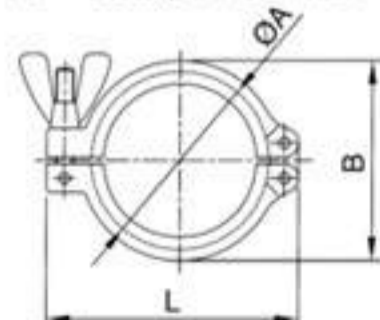
承插法兰
ISO Bored Flange



Weld Flange

SIZE	ΦA	ΦB	ΦC	ΦD	L
ISO-63	63.7	70	90	95	12
ISO-80	76.4	83	105	110	12
ISO-100	101.8	102	125	130	12
ISO-160	152.9	153	175	180	12

KF-卡箍-铝制
KF-Clamp-Aluminum



SIZE	ΦA	ΦB	L
10/16	35	45	62
20/25	45	55	73
32/40	60	70	86.1
50	80	96	123

常用不锈钢管化学成份及机械性能 (对照表)

Chemical composition and mechanical Properties of general stainless steel

牌号	化学成份 (%) (Chemical Composition)											机械性能 (Mechanical Properties)				
	C	Si	P	S	Ni	Cr	Mo	其它	6b (Mpa)	6a (Mpa)	65 (Mpa)	δ (°C)	硬度 HB	备注		
1Cr18Ni9	0.04-0.1	≤1.00	≤0.035	≤0.030	8.00-11.00	8.00-20.00	-	-	≤520	≤205	≤35	-	-	-		
0Cr18Ni9Ti	≤0.08	≤1.00	≤0.035	≤0.030	8.00-11.00	17.00-19.00	-	Ti≤0.02-0.08	≤539	≤196	≤40	≤55	-	-		
1Cr18Ni9Ti	≤0.08	≤1.00	≤0.035	≤0.030	8.00-11.00	17.00-19.00	-	Ti≤0.02-0.7	≤539	≤196	≤40	≤55	140-170	-		
00Cr18Ni10	≤0.030	≤1.00	≤0.035	≤0.030	8.00-11.00	16.00-19.00	-	-	≤480	≤176	≤40	≤60	-	-		
00Cr18Ni12Mn2Ti	≤0.08	≤1.00	≤0.035	≤0.030	11.00-14.00	16.00-18.00	1.80-2.50	0.30-0.60	≤539	≤216	≤40	≤60	-	-		
00Cr17Ni14Mn2Ti	≤0.03	≤1.00	≤0.035	≤0.030	12.00-16.00	12.00-16.00	0.0-18.00	-	≤480	≤176	≤40	≤60	-	-		
WP304	0.08-0.15	0.75-1.00	≤0.040	0.030	8.00-11.00	18.00-20.00	-	-	517	207	35	-	-	-		
WP304H	0.04-0.1	0.75-1.00	0.040	0.030	8.00-11.00	18.00-20.00	-	-	517	207	35	-	-	-		
WP304L	0.035	0.75	0.040	0.030	8.00-13.00	18.00-20.00	-	-	448	172	35	-	-	-		
WP316	0.08	0.75-1.00	0.040	0.030	11.00-14.00	16.00-18.00	2.00-3.00	-	517	207	35	-	-	-		
WP316H	0.04-0.1	0.75-1.00	0.040	0.030	11.00-14.00	16.00-18.00	2.00-3.00	-	517	207	35	-	-	-		
WP316L	0.035	0.75-1.00	0.040	0.030	10.00-15.00	16.00-18.00	2.00-3.00	-	483	172	35	-	-	-		
Wp316	0.08	0.75-1.00	0.040	0.030	9.00-13.00	17.00-20.00	-	Ti≤0.02-0.60	517	207	35	-	-	-		
SUS304TP	≤0.08	≤1.00	≤0.040	≤0.030	8.00-11.00	18.00-20.00	-	-	519	206	35	-	-	-		
SUS304HTP	0.04-0.10	≤0.75	≤0.040	≤0.030	8.00-11.00	18.00-20.00	-	-	519	206	35	-	-	-		
SUS304LP	≤0.030	≤1.00	≤0.040	≤0.030	9.00-13.00	18.00-20.00	-	-	480	176	35	-	-	-		
SUS316TP	≤0.08	≤1.00	≤0.040	≤0.030	10.00-14.00	16.00-18.00	2.00-3.00	-	519	206	35	-	-	-		
SUS316HTP	0.04-0.10	≤0.75	≤0.040	≤0.030	11.00-14.00	16.00-18.00	2.00-3.00	-	519	206	35	-	-	-		
SUS316LP	≤0.030	≤1.00	≤0.040	≤0.030	12.00-16.00	16.00-18.00	2.00-3.00	-	480	176	35	-	-	-		
SUS321TP	≤0.08	≤1.00	≤0.040	≤0.030	9.00-13.00	17.00-19.00	-	Ti≤0.02-0.70	519	206	35	-	-	-		
SUS321HTP	0.04-0.10	≤0.75	≤0.030	≤0.030	9.00-13.00	17.00-20.00	-	Ti≥0.02-0.60	519	206	35	-	-	-		
SUS3068TP	≤0.15	≤1.00	≤0.040	≤0.030	12.00-15.00	22.00-24.00	-	-	519	206	35	-	-	-		
SUS310S1TP	≤0.15	≤1.50	≤0.040	≤0.030	19.00-22.00	24.00-26.00	-	-	519	206	35	-	-	-		
SUS347TP	≤0.18	≤1.00	≤0.040	≤0.030	9.00-13.00	17.00-19.00	-	Nb+Ta≥0.10xC%	519	206	35	-	-	-		

中国 China	日本 Japan JIS	国际 International Standards ISO683/13 ISO683/13	美国 USA ANSI ASTM	德国 Germany DIN17440 DIN17244	法国 NFA35-572 NFA35-576-582 NFA35-584
0Cr18Ni9	SUS304	11	304 S30400	X5CrNi189	Z6CN18.09
00Cr18Ni11	SUS304L	10	304L S30403	X2CrNi189	Z2CN18.09
00Cr17Ni12Mn	SUS316	20.02a	316 S31600	X5CrNiMo1810	Z6CND17.12
00Cr17Ni14Mn	SUS316L	19.19a	316L S31603	X2CrNiMo189	Z6CN17.12
0Cr18Ni10Ti	SUS321	15	321 S32100	X10CrNi189	Z6CN18.10
00Cr17Ni14MnTi	SUS316Ti	-	316Ti	X6CrNiMoTi17122	-

各国不锈钢
标准牌对照表
STAINLESS STEEL
STANDARDS OF
DIFFERENT COUNTRIES