



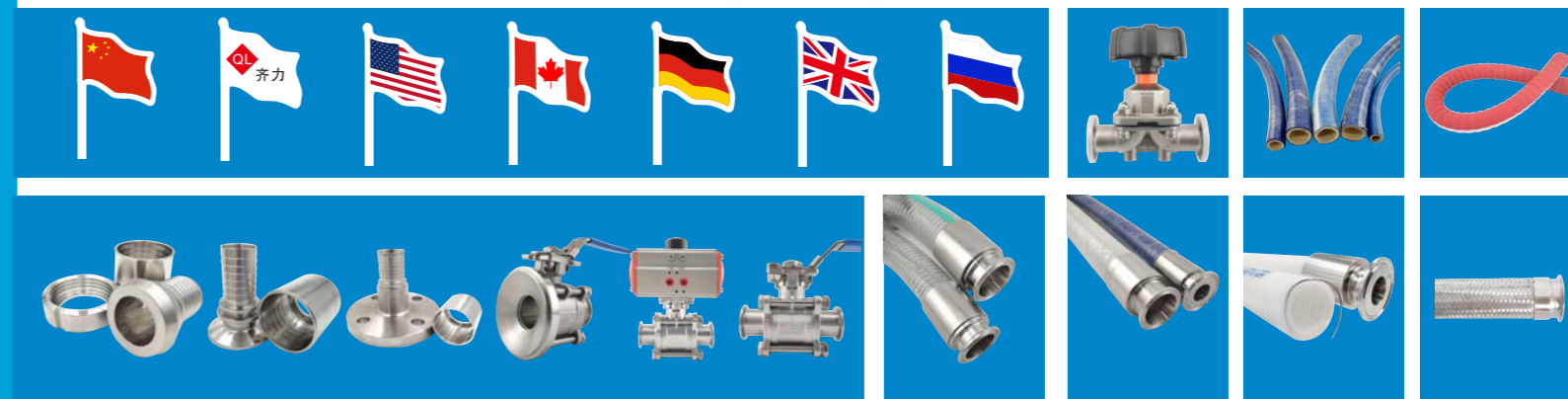
齐力流体与世界同步
Qili Fluid Keep Pace With The World



20年专注于卫生级流体行业的制造与研究，与世界卫生级流体行业前三强企业合作共赢多年，QL被指定中国唯一供应商，服务于世界上四十多个国家和地区。

Focusing on manufacturing and R&D in sanitary fluid industry more than 20 years, and cooperating With top three companies in world only supplier in China, serving more than 40 countries and regions in the world.

Qili Fluid Equipment



温州齐力流体设备有限公司
Wenzhou Qili Fluid Equipment Co.,Ltd
温州齐力轻工机械锻压厂
Wenzhou Qili Light Industry Machinery Forging Factory

地址：温州经济技术开发区滨海园区滨海三道3839号-1
Add: 3839#-1 Three Road Binhai Development Zone
Wenzhou Zhejiang China

电话/TEL: 0086-0577-86990175
电话/Mobile: +8613868658529
网址/Http: www.wzqlqjx.cn
邮箱/E-mail: sales@wzqlqjx.cn

传真/FAX: 0086-0577-86990176
QQ: 1121446895
http: //www.sanitary-valve-fittings.com



齐力流体
—QILI FLUID—

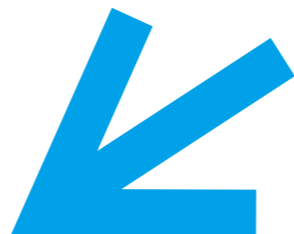
温州齐力流体设备有限公司
Wenzhou Qili Fluid Equipment Co.,Ltd
温州齐力轻工机械锻压厂
Wenzhou Qili Light Industry Machinery Forging Factory



齐力流体与世界同步
Qili Fluid Keep Pace With The World

企业简介

Corporate Profile



温州齐力流体设备有限公司是一家集科研、生产为一体的现代企业，专业生产高精度卫生级不锈钢流体设备配件及管道所有连接件、锻造、精加工一条龙生产。

我们以一流的机械设备和专业的科研人员为所有从事不锈钢需求行业提供优质服务。产品广泛适用于制药、饮料、乳制品、啤酒、生物化工等领域。所有产品均按：3A,SMS,DIN,RJT,IDF,DS等标准制造，所有产品均达到GMP药典要求。产品远销美国，加拿大，欧洲，澳洲,中东及台湾等30多个国家和地区

同盟、友谊、创新是齐力公司的经营理念。我们始终不会忘记客户给我们的支持与宝贵的意见、齐力人会把高质量的材料、先进的设计、严格的制造标准及质量保证体系完美结合。力争为客户提供最好、最优的产品。

齐力公司满腔热情欢迎您的合作、并诚信恭候各界朋友的光临！

Wenzhou Qili Fluid Equipment CO.,Ltd is a collection of scientific research, production as one of the modern enterprise, specializing in production of high precision sanitary stainless steel fluid equipment parts and pipe fittings.

Our first-class equipment and professional researchers engaged in stainless steel demand for all industries to provide quality services. All products are: 3A,SMS,DIN,RJT,IDF,DS manufacturing standards, all products meet the GMP requirements of the pharmacopoeia. Products are exported to The United States, Canada, Europe, Newzealand, Central Asia and Taiwan more than 30 countries and regions.

Alliance and friendship, innovation is the company's operating philosophy. We always do not forget to give our customers the support and valuable advice, we will high-quality materials, advanced design, strict manufacturing standards and quality assurance system perfect combination. Strive to provide the best, the best products.

Qili company full of enthusiasm to welcome you to join, and sincere welcome friends from all walks of life to visit.



总经理致辞

GENERAL MANAGER ORATION

人才是企业发展的源泉和动力，也是企业综合实力的集中体现。我公司拥有一支高素质的专业队伍，专业配务齐全，年龄结构合理，施工经验丰富。坚持以人为本，着力激发员工潜力和创造力，公司上下创业热情高涨。在员工选用上，坚持学识优先，努力打造学习型团队，凭借人才智力优势，抢占工程行业鳌头。

Talent is the source and power of enterprise development, but also embodies the comprehensive strength. My company has a team of highly qualified professionals, professional works with complete, Reasonable age structure construction experience. Adhere to the people-oriented, focused stimulate employee potential and creativity, entrepreneurial enthusiasm across the company. On staff selection, insist Knowledge first, and strive to create a learning team, intellectual superiority by virtue of talent, Preempt the engineering industry Ngau Tau.



TEAM SPIRIT IS THE CORE OF ENTERPRISE CULTURE



齐力流体与世界同步
Qili Fluid Keep Pace With The World



产品目录

TABLE OF CONTENTS

	Food Grade Hose/食品级软管	02P-10P
	PU Hose/PU软管	11P-14P
	Silicone Hose/硅胶管	15P-21P
	Teflon Hose/特氟龙软管	22P-26P
	Air & Multipurpose/水气多用途管	27P-30P
	Chemical Hose/化学软管	31P-32P
	Petroleum Hose/输油软管	33P-35P
	Hydraulic Hose/液压管	36P-37P
	Metallic Hose金属管件	38P-38P
	Hose Assembly软管总成	39P-40P
	Complete Cleaning Solution/专业清洗方案	41P-44P
	Sanitary Sight Glass卫生级视镜	45P
	Expansion Joints膨胀节	46P
	Hose Fittings/配件及附件	47P-53P
	Hose Specification/软管使用规范	54P
	Diaphragm Valve/隔膜阀	55P-71P
	Ball Valve/球阀	72P-90P

食品级热水管



应用:

适用于食品加工厂、奶制品车间、罐头厂、屠宰厂等工作场合地板或使用设备的冲洗。

优点:

- 很好的耐高温性能
- 光滑外壁, 便于操作
- 外胶为无痕橡胶材质
- 外壁耐动植物油脂
- 不含 phthalate(邻苯二甲酸酯)

技术参数:

- 内层:食品级耐油丁腈合成橡胶, 白色, 光滑
- 增强层:高强度合成线绳
- 外层:耐油丁腈/PVC合成橡胶, 抗老化, 蓝色, 光滑
- 工作温度:-20℃至+95℃

适用标准及认证:

- EU1935/2004,FDA21CFR177.2600,BFR

Applications:

Floor wash down and hot-water cleaning in food processing industries. canneries, dairies, slaughter-houses, etc.

Advantages:

- Very good resistance to high temperature
- Smooth for easy handling with light coloured, non-marking cover
- Excellent resistance to the cover compound to animal and vegetable grease
- Contains no phthalate

Technical Description:

- Tube: Food grade quality, oil resistant NBR, white, smooth
- Reinforcement: Synthetic textile
- Cover: Oil and weather resistant NBR/PVC, blue, smooth
- Temperature range: -20@C to+95 °C

Standard/ Approval:

- EU1935/2004,FDA21CFR177.2600,BFR

口径 in.	内径 mm	外径 mm	爆破压力 bar	工作压力 bar	弯曲半径 mm	重量 Kg/m	包装长度 m
1/2"	13.0	21.4	10	30	80	0.30	120
5/8"	16.0	25.0	10	30	95	0.38	120
3/4"	19.0	28.4	10	30	115	0.48	60
1"	25.0	35.0	10	30	155	0.62	40

食品级热水和蒸汽管



应用:

可输送热水和温度高达+160℃的蒸汽, 适用于牛奶场、食品加工厂和设备的冲洗。也可用于输送流体食品, 如果酒、牛奶、啤酒、白酒、饮用水、苏打水等。

优点:

- 具有良好的柔韧性
- 特别适合缠绕在卷轴上
- 不含 phthalate(邻苯二甲酸酯)

技术参数:

- 内层:食品级三元乙丙合成橡胶, 白色, 光滑
- 增强层:高强度合成线绳
- 外层:耐老化三元乙丙合成橡胶, 蓝色, 光滑
- 工作温度:-30℃至+160℃

适用标准及认证:

- EU1935/2004,FDA21CFR177.2600

Applications:

Cleaning hose with hot water and steam up to +160°C in food processing plants. Suitable for liquid food-stuff, wine, milk, beer, water and soda

Advantages:

- Highly flexible
- Specially adapted to keep round on reels
- Contains no phthalate

Technical Description:

- Tube: Food grade quality EPDM, white, smooth
- Reinforcement: Synthetic textile
- Cover: Weather resistant EPDM, blue, smooth
- Temperature range: -30°C to+ 160°C

Standard/Approval:

- EU1935/2004,FDA21CFR177.2600

口径 in.	内径 mm	外径 mm	工作压力 bar	爆破压力 bar	弯曲半径 mm	重量 kg/m	包装长度 m
3/8"	10	18	10	30	75	0.25	40
1/2"	13	22	10	30	95	0.35	40
5/8"	16	25	10	30	110	0.41	40
3/4"	19	29	10	30	135	0.54	40
1"	25	36	10	30	180	0.74	40

食品级蒸汽管



应用:

可输送热水和高达+165℃的蒸汽, 适用于牛奶场、奶制品车间、罐头厂、水产品市场等工作场合的冲洗。也可用于输送高温流体食品, 可在卷轴上缠绕。

优点:

- 具有良好的柔韧性
- 外胶抗污浊、耐动植物油脂
- 不含 phthalate(邻苯二甲酸酯)

技术参数:

- 内层:食品级耐油丁腈合成橡胶, 白色, 光滑
- 增强层:高强度合成线绳
- 外层:耐油丁腈/PVC合成橡胶, 抗老化, 蓝色, 光滑
- 工作温度:
· 水:-20℃至+100℃, 工作压力20bar
· 饱和或过热蒸汽:最高到+165℃/工作压力为6bar

适用标准及认证:

- EU1935/2004,FDA21CFR177.2600,BFR

Applications:

For steam cleaning at temperatures up to+ 165°C and hot water washing in food processing plants. Also for transfer of hot liquid foodstuffs. Suitable for reel mounted applications

Advantages:

- A hose specially designed for dairies, canneries, fish markets, etc
- Highly flexible
- A non staining cover compound
- Resistant to animal and vegetable fats
- Contains no phthalate

Technical Description:

- Tube: Food grade quality, oil resistant NBR, white, smooth
- Reinforcement: Synthetic textile
- Cover: Oil and weather resistant NBR/PVC, blue, smooth
- Temperature range
· Water: -20°C to+ 100°C, WP=20 bar
· Saturated or superheated steam: 165°C /6 bar

Standard/Approval:

- EU1935/2004,FDA21CFR177.2600,BFR

口径 in.	内径 mm	外径 mm	工作压力		爆破压力 bar	弯曲半径 mm	重量 kg/m	包装长度 m
			bar (蒸汽)	bar (输水)				
1/2"	13	23	6	20	60	65	0.38	80
5/8"	16	26	6	20	60	85	0.44	80
3/4"	19	31	6	20	60	100	0.63	80
1"	25	37	6	20	60	125	0.78	40

食品级高压清洗管



应用:

适用于食品行业高压清洗工作场合，也可用于输送流体食品介质。

优点:

- 具有良好的柔韧性
- 外胶为无痕橡胶材质
- 食品级白色内壁，具有良好的耐油性
- 不含 phthalate(邻苯二甲酸酯)

技术参数:

- 内层:食品级耐油丁腈合成橡胶，白色，光滑
- 增强层:高强度合成线绳
- 外层:耐油丁腈PVC合成橡胶，抗老化，蓝色，光滑
- 工作温度:-20℃至+100℃

适用标准及认证:

- EU1935/2004,FDA21 CFR 177.2600,BFR

Applications:

High pressure cleaning specifically for food industries
Can also be used for transfer of any liquid foodstuffs.

Advantages:

- Very flexible
- Non-marking cover
- Food grade quality white inner tube, oil resistant
- Contains no phthalate

Technical Description:

- Tube: Food grade quality, oil resistant NBR, white, smooth
- Reinforcement: Synthetic textile
- Cover: Oil and weather resistant NBR/PVC, blue, smooth
- Temperature range: -20°C to 100 °C

Standard/Approval:

- EU1935/2004,FDA 21 CFR 177.2600,BFR

口径 in.	内径 mm	外径 mm	工作压力 bar	爆破压力 bar	弯曲半径 mm	重量 kg/m	包装长度 m
5/16"	7.9	15.9	60	180	50	0.20	120
3/8"	9.5	18.0	60	180	60	0.25	120
1/2"	12.7	22.0	60	180	70	0.34	120
5/8"	15.9	26.5	60	180	80	0.48	120

食品级橡胶管-1



应用

用于脂肪和油性食品物料的输送和抽吸。

技术参数:

- 内层:食品级，耐油脂丁腈合成橡胶，白色，光滑
- 增强层:合成纤维编织网并嵌入螺旋钢丝增强
- 外层:耐老化、耐油合成橡胶，蓝色布纹
- 工作温度:-20℃至+85℃

适用标准及认证:

- FDA

Applications:

Food suction and delivery hose excluding oily and fatty products

Technical Description:

- Tube: Food grade EPDM synthetic rubber, white, smooth
- Reinforcement: Synthetic textile with embedded steel helix
- Cover: Weather and oil resistant synthetic rubber, blue, fabric impression
- Temperature range:-20 °C to+85°C

Standard/Approval:

- FDA

口径 in.	内径 mm	外径 mm	工作压力 bar	爆破压力 bar	真空度 bar	弯曲半径 mm	重量 kg/m	包装长度 m
3/4"	19	30	10	30	0.9	80	0.65	40
1"	25	36	10	30	0.9	100	0.87	40
1-1/2"	38	50	10	30	0.9	160	1.22	40
2"	51	64	10	30	0.9	200	1.76	40
1-1/2"	63	77	10	30	0.9	240	2.3	40
3"	76	90	10	30	0.9	320	2.89	40

食品级橡胶管-2



应用

用于非脂肪和非油性食品物料的输送和抽吸。

技术参数:

- 内层:食品级三元乙丙合成橡胶，白色，光滑
- 增强层:合成纤维编织网并嵌入螺旋钢丝增强
- 外层:耐老化合成橡胶，蓝色布纹
- 工作温度:-30℃至+100℃

适用标准及认证:

- FDA

Applications:

Food suction and delivery hose excluding oily and fatty products

Technical Description

- Tube: Food grade EPDM synthetic rubber, white, smooth
- Reinforcement: Synthetic textile with embedded steel helix
- Cover: Weather resistant synthetic rubber, blue, fabric impression
- Temperature range:-30°C to+100°C

Standard/Approval:

- FDA

口径 in.	内径 mm	外径 mm	工作压力 bar	爆破压力 bar	真空度 bar	弯曲半径 mm	重量 kg/m	包装长度 m
3/4"	19	30	10	30	0.9	80	0.67	40
1"	25	36	10	30	0.9	100	0.87	40
1-1/2"	38	50	10	30	0.9	160	1.2	40
2"	51	64	10	30	0.9	200	1.65	40
1-1/2"	63	77	10	30	0.9	240	2.48	40
3"	76	90	10	30	0.9	320	2.77	40

高温食品排吸管



应用:

食品罐车管, 针对散装物品运输罐车里的高温气体特殊设计(最高温度可达+140°C)。适用于排吸各类流体食品, 如牛奶、葡萄酒、啤酒、果酒、果汁、苏打水、食醋、96%浓度酒精等, 用于各类食品罐车装卸作业。

优点:

- 具有良好的柔韧性
- 罐车配套设计, 除压缩机设备连接外
- 光滑食品级内壁, 能有效抑制细菌滋生
- 外胶具有良好的耐老化、耐气候性能
- 不含 phthalate(邻苯二甲酸酯)

技术参数:

- 内层:食品级三元乙丙合成橡胶, 白色, 光滑
- 增强层:高强度合成线绳加螺旋钢丝增强
- 外层:抗老化三元乙丙合成橡胶, 蓝色, 表面布纹
- 工作温度:-30°C至+100°C或+140°C热空气

适用标准:

- EU1935/2004, FDA 21 CFR 177.2600, BFR

Applications:

Particularly designed for additional air lines(temperature up to 140°C) on road tankers carrying bulk products. suction and discharge of liquid food-stuffs such as milk, wine, beer, cider, fruit juice, soda, vinegar and alcohol up to 96 % with exception of fatty foodstuffs and oils, loading or unloading bays for road and rails tankers

Advantages:

- Good flexibility and easy to handle
- Suitable for road tankers equipment except compressor lines
- A smooth, seamless, white food grade tube that does not propagate bacterial growth
- Resistant to cleaning with detergents at temperatures up to 140 . C
- Cover with very good ageing and weather resistance
- Contains no phthalate

Technical Description:

- Tube: Food grade quality EPDM, white, smooth
- Reinforcement: Synthetic textile with embedded steel hel
- Cover: Weather resistant EPDM, blue, fabric impressioin
- Temperature range: -30°C to 100.C, and 140.C for additional air

Standard/Approval:

- EU 1935/2004, FDA21CFR177,2600,BFR

口径 in.	内径 mm	外径 mm	工作压力 bar	爆破压力 bar	耐负压 bar	弯曲半径 mm	重量 kg/m	包装长度 m
1"	25.0	36.0	10	30	0.9	55	0.81	40
1-1/4"	32.0	43.0	10	30	0.9	70	0.98	40
1-1/2"	38.0	49.0	10	30	0.9	80	1.15	40
1-9/16"	40.0	51.0	10	30	0.9	85	1.20	40
*	43.0	54.0	10	30	0.9	92	1.30	40
*	45.0	56.0	10	30	0.9	98	1.32	40
2"	51.0	62.5	10	30	0.9	105	1.66	40
*	53.0	64.5	10	30	0.9	110	1.72	40
2-3/8"	60.0	71.5	10	30	0.9	125	1.85	40
2-1/2"	63.0	74.5	10	30	0.9	130	2.00	40
*	70.0	81.5	10	30	0.9	145	2.24	40
3"	76.0	88.5	10	30	0.9	165	2.95	40
3-1/8"	89.0	102.0	10	30	0.9	330	3.44	40
*	100.0	113.0	10	30	0.9	380	3.75	40
4"	102.0	115.0	10	30	0.9	400	3.80	40
5"	125.0	145.5	10	30	0.9	480	7.20	20
6"	150.0	171.5	10	30	0.9	570	8.80	20

超柔食品排吸管



应用:

特别适用于输送牛奶, 主要用于奶源收集站、奶罐车、奶品加工及灌装设备等工作场合。也可用于其他流体食品的排吸, 如红酒、啤酒、果酒、果汁、食醋、96%浓度酒精等。

优点:

- 具有非常好的柔韧性
- 白色光滑食品级内壁, 能有效抑制细菌滋生
- 符合法国、欧洲、美国等地区最严格食品级标准
- 可用清洁剂或蒸汽消毒(蒸汽温度不超过+110°C, 最大可持续十分钟)
- 具有防扭结、耐磨损、耐油污等特性
- 不含 phthalate(邻苯二甲酸酯)

技术参数:

- 内层:食品级天然合成橡胶, 白色, 光滑
- 增强层:高强度合成线绳加螺旋钢丝增强
- 外层:抗老化天然合成橡胶, 耐磨损, 蓝色, 表面布纹
- 工作温度:-30°C至+80°C

适用标准及认证:

- EU19352004, FDA21CFR177.2600,BFR

Applications:

For milk handling: tanker lorries for milk collection and transport, dairy unloading bays and stationary equipment, processing and filling plant Also for transfer of other liquid foodstuffs such as wine, beer, cider, fruit juice, vinegar and alcohol up to 96 % with exception of fatty foodstuffs and oils

Advantages:

- Extremely flexible to accept the smallest bending radius without kinking
- Smooth, seamless, white tube that does not propagate bacterial growth and complies with the most stringent French, European, and American requirements for foodstuff handling
- Unaffected by changes in temperature, the advantage of rubber over PVC
- Resistant to most common cleaning process, either with detergents or steam at temperatures up to 110°C(during 10 minutes max)
- Non-marking, abrasion resistant cover Contains no phthalate

Technical Description:

- Tube: Food grade quality NR, white, smooth
- Reinforcement: Synthetic textile with embedded steel helix
- Cover: NR, blue, fabric impression
- Temperature range :-30°C to +80°C

Standard/Approval:

- EU 1935/2004, FDA 21 CFR 177.2600.BFR

口径 in.	内径 mm	外径 mm	工作压力 bar	爆破压力 bar	耐负压 bar	弯曲半径 mm	重量 kg/m	包装长度 m
1"	25.0	36.0	6	18	0.9	50	0.70	40
1-1/4"	32.0	43.0	6	18	0.9	64	0.82	40
1-1/2"	38.0	49.0	6	18	0.9	76	1.14	40
1-9/16"	40.0	51.0	6	18	0.9	80	1.27	40
*	43.0	54.0	6	18	0.9	86	1.34	40
*	45.0	56.0	6	18	0.9	90	1.38	40
2"	51.0	63.0	6	18	0.9	102	1.79	40
*	53.0	65.0	6	18	0.9	106	1.85	40
2-3/8"	60.0	72.0	6	18	0.9	120	2.09	40
2-1/2"	63.0	75.0	6	18	0.9	126	2.17	40
*	70.0	83.5	6	18	0.9	140	2.62	40
3"	76.0	89.5	6	18	0.9	152	3.03	40
*	80.0	94.0	6	18	0.9	240	3.04	40
3-1/2"	89.0	103.0	6	18	0.9	315	3.39	40
4"	100.0	114	6	18	0.9	350	3.67	40
5"	125.0	145.5	6	18	0.9	450	6.05	20
6"	150.0	171.5	6	18	0.9	530	7.02	20

食品级PVC网纹管



应用:

- 液体食品、果汁、一般水性食品的排吸。适用于酒精度不大于20%液体的输送。

颜色:

- 透明

温度:

- 10℃至+60℃

特性:

- 采用BIO-VINYL环保型PVC原料，高强度聚酯纤维网布衬垫加强。完全不添加邻苯二甲酸或其他合成增塑剂。

认证:

- FDA,EU10/2011

Applications:

- Ideal solution for suction and delivery of food liquids, beverages, fruit juices, wine and liquors with up to 20% alcohol concentration. It is often used for filling machines and dispensers

Colour:

- Transparent with polyester reinforcement

Temperature range:

- 10°C+60°C

Features:

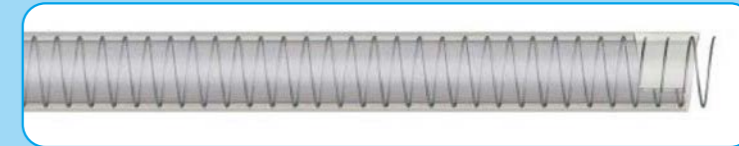
- Fvekdle hose produced with Biovinyl M and high tenacity polyester reinforcement
Completely free of phthalates. Resistant to several chemicals and to weather conditions

Standards:

- FDA,EU10/2011

口径 in.	内径 mm	外径 mm	工作压力 bar	爆破压力 bar	弯曲半径 mm	体积 m ³	重量 kg/m	包装长度 m
*	6	12	20	60	30	0.025	0.105	100
5/16"	8	14	20	60	40	0.032	0.125	100
3/8"	10	16	16	48	50	0.041	0.150	100
*	12	18	12	36	60	0.050	0.175	100
1/2"	13	19	11	33	70	0.058	0.185	100
5/8"	16	22	10	30	80	0.041	0.220	50
3/4"	19	26	9	27	100	0.075	0.300	50
1"	25	33	8	24	130	0.107	0.445	50
*	30	238	6	18	150	0.135	0.520	50
1-1/4"	32	42	5	15	160	0.146	0.705	50
1-1/2"	38	48	4	12	190	0.271	0.820	50
1-9/16"	40	50	4	12	200	0.303	0.855	50
2"	50	62	4	12	250	0.391	1.280	50

食品级PVC钢丝管



应用:

- 广泛应用于食品、饮料、饮用水、化妆品、医药、制药、中间体、半成品、原料药等高洁净行业，软管透明，可见内部流动介质。

技术参数:

- 柔软的卫生级 PVC 材质软管，不含塑化剂，螺旋钢丝增强
- 内壁光滑，外壁光滑
- 透明
- 工作温度：-15℃ 至 +65℃

适用标准及认证:

- FDA 21.CFR.177.1520

Applications:

- Designed for light duty suction and delivery of high quality liquids and foodstuffs, including alcohol up to 50° in industry, agriculture, irrigation, water supply.

Technical Description:

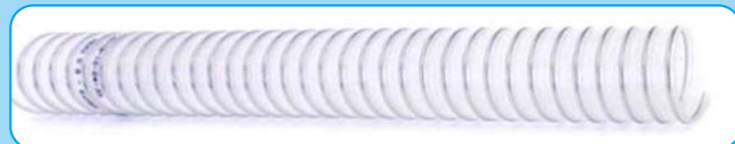
- Flexible hose made out of soft phthalate-free food grade PVC wall in accordance with the modified EU regulation 10/2011, reinforced with galvanized steel helix
- Properties: Smooth inside, Smooth outside
- Transparent
- Temperature range: -15°C to + 65°C

Standard/Approval:

- FDA 21.CFR.177.1520

口径 in.	内径 mm	外径 mm	工作压力 bar	爆破压力 bar	耐负压 bar	弯曲半径 mm	重量 kg/m	包装长度 m
3/8"	10	16	11	33	0.9	20	0.160	60
1/2"	12	18	10	30	0.9	25	0.180	60
*	14	20	10	30	0.9	25	0.205	60
5/8"	16	23	10	30	0.9	30	0.225	60
*	18	25.2	8	24	0.9	32	0.300	60
*	19	26.6	8	24	0.9	35	0.310	60
3/4"	20	27.6	8	24	0.9	35	0.330	60
*	22	29.2	8	24	0.9	40	0.380	60
1"	25	33	8	24	0.9	42	0.500	60
*	30	38	6	18	0.9	50	0.600	60
1-1/4"	32	39	6	18	0.9	53	0.650	60
*	35	44	6	18	0.9	60	0.700	60
1-1/2"	38	47	5	15	0.85	70	0.800	30
*	40	50	5	15	0.85	75	0.870	30
*	45	55	5	15	0.8	80	1.100	30
2"	51	61	4	12	0.8	100	1.200	30
*	60	72	4	12	0.8	135	1.800	30
2-1/2"	63	75	4	12	0.75	150	1.950	30
*	70	85	4	12	0.7	180	2.200	30
3"	76	89.6	4	12	0.7	195	2.500	30
*	80	94	4	12	0.7	220	2.700	30
*	90	104	4	12	0.6	260	3.000	30
4"	102	116	4	12	0.6	300	3.400	30

食品级0.9mmPU物料管



应用

食品和医药行业的吸水和输送软管。用于街道清洁车辆，化学工业，以及所有需要特殊耐微生物的应用。

技术参数:

- 颜色:半透明
- 聚醚型聚氨酯材质，带有PU涂层钢丝螺旋加强，与管壁的附着极好。
- 内壁完全光滑，保证内部传输的流畅。
- 由特殊的TPU混合材料制成，可永久性防静电，抗紫外线，微生物和水解
- 对矿物油和化学品有良好的抵抗力，对臭氧和天气有极好的抵抗力
- 即使在低温下也很灵活
- 不含卤素，不含邻苯二甲酸盐
- 螺旋接地可导电(两端)
- 工作温度:-40℃至+90℃(短时间可耐+125℃)

适用标准及认证

- FDA 21 CFR 177.2600, REACH Regulation(1907/2006)法规 RoHS2011/65EC指令

口径 in.	内径 mm	壁厚 mm	耐负压 bar	最小弯曲半径 mm	重量 kg/m	包装长度 m
1-1/2"	38.1	0.9	2.5	40	0.25	20
1-9/16"	40.0	0.9	2.5	40	0.33	20
*	45.0	0.9	2.5	45	0.35	20
2"	50.8	0.9	2	50	0.395	20
2-3/8"	60.0	0.9	1.5	70	0.20	20
2-1/2"	63.5	0.9	1.5	70	0.54	20
2-9/16"	65.0	0.9	1.5	75	0.55	20
3"	76.2	0.9	1.5	90	0.75	20
*	80.0	0.9	1.5	95	0.75	20
*	90.0	0.9	1	105	0.84	20
*	100	0.9	1	135	0.895	20
4"	102	0.9	1	135	0.91	20
*	110	0.9	1	145	0.98	20
*	120	0.9	0.7	160	1.065	20
5"	127	0.9	0.7	210	1.125	20
*	140	0.9	0.5	285	1.295	20
6"	152.4	0.9	0.5	230	1.405	20
*	160	0.9	0.5	250	1.475	20
*	180	0.9	0.3	270	2.175	20
8"	203.2	0.9	0.3	300	2.45	15

Applications:

Suction and transport hose in the food and pharmaceutical Industry For street cleaning vehicles, in the chemical industry, and for all applications where a special microbes resistance is required

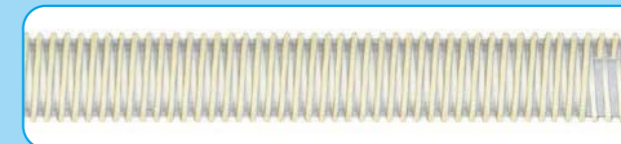
Technical description:

- Colour: Transparent
- Ether based polyurethane hose reinforced with a Tpu-coated INOX steel spiral, the best adhesion with the hose wall
- Smooth inside to ensure optimization of flow properties
- It is made by a special TPU that combines different properties which make the wall material permanent antistatic and resistant to UV microbes and hydrolysis
- Good resistance to mineral oils and chemicals, excellent resistance to ozone and weather
- Very flexible even at low temperatures
- Halogens free, Phthalates free
- The hose becomes electrically conductive by grounding the spiral (both ends)
- Temperature range: -40℃+90℃(+125℃ short time)

Standard/Approval:

- FDA 21 CFR 177 2600, REACH Regulation:(1907/2006) ROHS 201 1/65/EC Regulations

重型食品级塑筋增强PU管



应用:

适用于面粉、轻颗粒、冻干食品等粉末食品的抽吸和输送，也适用于酒精浓度高达20%的饮料。

技术参数:

- 透明，材质为聚氯乙烯和聚氨酯衬里，带象牙色螺旋塑筋加强
- 内部完全光滑，重量轻，非常灵活
- 耐负荷、大气介质和各种化学品
- 抗水解性
- 食品级软管内层、外层和螺旋塑筋，不含邻苯二甲酸盐，无浸出风险。
- 防静电产品可根据要求提供
- 工作温度:-10℃至+60℃

适用标准及认证:

- 符合FDA, EU10/2011

Applications:

Ideal solution for suction and delivery of food powders like flours, light grains, freeze dried foodstuffs For beverages with alcohol concentration up to 20%

Technical Description:

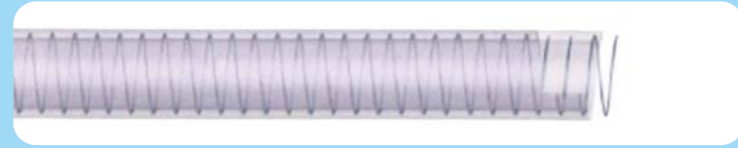
- Transparent PVC spiralhose with a ether based Polyurethane liner, reinforced with an ivory anti-shock rigid PVCspiral
- Completely smooth inside, light and very flexible
- Resistance to loads, atmospheric agents and to a wide range of chemicals
- Resistance to hydrolysis
- Food grade hose liner, cover and hard plastic spiral, completely free of phthalates, to eliminate leaching risk of those components into the delivered substances
- The antistatic version is available upon request
- Temperature range: -10℃ to +60℃

Standard/Approval:

- FDA,EU10/2011

口径 in.	内径 mm	最小壁厚 mm	最大壁厚 mm	耐负压 mH2O	弯曲半径 mm	爆破压力 kg/m	体积 m ³	重量 kg/m	包装长度 m
*	30.0	2.8	3.3	7	150	15	0.089	0.36	30
1-1/4"	31.8	2.9	3.4	7	155	15	0.099	0.39	30
1-3/8"	35.0	3.0	3.5	7	170	15	0.108	0.44	30
1-1/2"	38.1	3.1	3.7	7	185	15	0.116	0.52	30
1-9/16"	40.0	3.1	3.8	7	195	15	0.134	0.565	30
*	45.0	3.1	4.1	7	215	15	0.158	0.67	30
*	50.0	3.3	4.5	7	235	15	0.199	0.80	30
2"	50.8	3.3	4.5	7	235	15	0.201	0.81	30
*	55.0	3.4	4.6	7	255	15	0.224	0.90	30
2-3/8"	60.0	3.4	4.6	7	275	15	0.251	0.97	30
1-1/2"	63.5	3.5	4.6	7	290	15	0.293	1.04	30
*	70.0	3.7	4.9	7	320	15	0.430	1.20	30
3"	76.2	3.9	5.2	7	340	15	0.480	1.38	30
*	80.0	4.1	5.5	7	365	12	0.520	1.55	30
*	90.0	4.4	5.8	7	420	12	0.598	1.85	30
*	100.0	4.7	6.3	7	470	12	0.720	2.2	30
4"	102.0	4.7	6.3	7	470	12	0.733	2.25	30

食品级PU透明钢丝管



应用:

可用于传输如醋、葡萄酒、饮料、果汁及酒精浓度高达20%的液体。可用于传输如干性食品为食品、制药以及化妆品生产过程中的粉末、药丸、药片、谷物、糖、盐、干果的输送提供理想的解决方案。可用于油脂性食品的输送。

技术参数:

- 食品级聚醚型聚氨酯软管，带有螺旋状不锈钢丝加强筋。内壁平滑保证物料在管内流动顺畅，容易清洗。低孔隙率降低渗透风险并保留物料的原汁原味。很好的耐化学品、耐酸碱、抗水解、抗细菌繁殖性能。符合FDA食品级标准
- 透明，带螺旋钢丝增强
- 工作温度:-40℃至+90℃

Applications:

Versatile delivery hose designed to convey liquid and dry food substances such as premium wines, vinegar, spirits with alcoholic content up to 20%, beverages, Ideal solution to convey pharmaceutical and cosmetic powders, pills, tablets of medicines, for food flours and grains, sugar, salt, dry fruit. Suitable also for food, pharmaceutical and cosmetic liquids with alcohol concentration of max 20%. Suitable for fatty foods

Technical Description:

- Flexible Ether-based Polyurethane hose reinforced with an embedded stainless steel spiral. Completely smooth inside and outside to enhance the flow, detect possible blockages and to allow easy cleaning process. Low porosity reduces permeation problems and preserves the original taste and flavor of the media. Very good chemical resistance to acids, alkaline solutions, hydrolysis and bacteria proliferation, Food grade according to FDA
- Translucent with stainless steel spiral
- Temperature range:-40℃ to +90℃

口径 in.	内径 mm	外径 mm	工作压力 mm	爆破压力 bar	耐负压 bar	弯曲半径 mm	重量 kg/m	包装长度 m
3/8"	10	16.0	7	21	0.85	50	0.14	25-50
*	12	18.0	7	21	0.85	50	0.16	25-50
*	14	20.0	7	21	0.85	60	0.18	25-50
5/8"	16	23.0	7	21	0.85	70	0.19	25-50
*	18	25.0	6	18	0.85	80	0.26	25-50
*	20	28.0	6	18	0.85	90	0.28	25-50
1"	25	33.0	6	18	0.85	110	0.45	25-50
*	30	38.0	5	15	0.85	140	0.54	25-50
1*1/4"	32	39.0	5	15	0.85	140	0.58	25-50
1-1/2"	38	47.0	6	18	0.80	170	0.81	25-50
*	40	49.0	6	18	0.80	180	0.81	10-50
2"	51	61.0	5	15	0.80	230	1.14	10-50
*	60	74.0	5	15	0.75	270	1.66	10-50
2-1/2"	63	77.0	4	12	0.75	280	2.21	10-50

医药级PU软管



应用:

粉末、物块及高度磨损性干性食品的抽吸和输送。也适用于高脂肪食品及酒精度低于20%的食品、医药和化妆品的流体物料输送

技术参数:

- 采用优质聚醚型聚氨酯材料的软管，具有绝佳的耐磨性及抗水解和耐霉菌性。内外壁完全光滑，便于清洗和消毒，并确保物料在管内流动充分且顺畅。
- 透明
- 工作温度:-40℃至+90℃(短时间可耐受125℃)

适用标准及认证:

- 符合 USP CLASS VI, FDA和EU10/2011

Applications:

Suction and delivery of powders and high abrasive granules. Ideal solution to convey pharmaceutical and cosmetic powders, pills, tablets of medicines; for food flours and grains, sugar, salt, dry fruit. Suitable also for food, pharmaceutical and cosmetic liquids with alcohol concentration of max 20%

Technical Description:

- The extruded, low porosity TPU tube reduces permeation problems
- Highly neutral in taste and odor, it preserves the organoleptic properties of the medium. Very good chemical
- Resistance to acids and alkaline solutions and good impermeability Versatile rubber resistant also to oils and fats under common use conditions without halogens
- Transparent
- Temperature range: -40℃ to +90℃ (peaks at max 125C). We do not recommend the use of SIP cleaning, which can severely impair the hose life

Standard/ Approval:

- USP CLASS VI, FDA, EU 10/2011

口径 in.	内径 mm	外径 mm	工作压力 mm	爆破压力 kg/m	耐负压 mH2O	弯曲半径 mm	体积 m ³	重量 kg/m	每卷长度 m
1/2"	13	23.5	19	57	10	65	0.085	0.365	60
*	20	32.0	19	57	10	100	0.127	0.590	60
1"	25	37.5	12	36	10	125	0.159	0.750	60
1-1/4"	32	44.0	11	33	9	160	0.218	0.885	60
1-1/2"	38	51.0	10	30	9	190	0.233	1.110	30
2"	50	65.0	10	30	8	250	0.291	1.695	30

单层硅胶管



应用:

主要应用于制药、生物医学、化妆品和食品等领域，不适用于人体植入、连续蒸汽应用或高压环境。

技术参数:

- 半透明
- 工作温度: -60℃至+200℃

Applications:

It is produced for critical pharmaceutical, biomedical, cosmetic and food applications. The silicone tubing is not intended for implantation, continuous steam applications or elevated pressure levels

Technical Description:

- Semitransparent
- Temperature range: -60°C to +200°C

口径 in.	内径 mm	壁厚 in.	壁厚 mm	外径 in.	外径 mm	包装长度 m
*	1	0.039	1	0.118	3	20
1/16"	1.6	0.094	2.4	0.252	6.4	20
*	2	0.039	1	0.157	4	20
*	3	0.039	1	0.197	5	20
*	4	0.039	1	0.236	6	20
*	4	0.079	2	0.315	8	20
3/16"	5	0.059	1.5	0.315	8	20
1/4"	6	0.098	2.5	0.433	11	20
1/4"	6	0.059	1.5	0.354	9	20
1/4"	6.4	0.063	1.6	0.378	9.6	20
5/16"	7.9	0.094	2.4	0.5	12.7	20
5/16"	7.9	0.098	2.5	0.508	12.9	20
5/16"	8	0.079	2	0.472	12	20
5/16"	8	0.118	3	0.551	14	20
*	9	0.079	2	0.512	13	20
*	9	0.138	3.5	0.63	16	20
3/8"	9.5	0.079	2	0.531	13.5	20
3/8"	10	0.079	2	0.531	14	20
3/8"	10	0.118	3	0.63	16	20
*	12	0.118	2	0.63	16	20
1/2"	14	0.118	3	0.709	18	20
*	16	0.118	3	0.708	20	20
5/8"	16	0.118	3	0.866	22	20
5/8"	17	0.118	3	0.906	23	20
*	18	0.197	3.5	0.906	23	20
*	18	.0.197	3	0.945	24	20
*	19	0.118	3	1.102	28	20
3/4"	20	0.098	5	0.984	25	20
*	20	0.197	3	0.984	25	20
*	22	0.118	2.5	1.181	30	20
*	25	0.118	5	1.102	28	20
1"	25	0.118	3	1.22	31	20
1*1/4"	32	0.118	3	1.496	38	20
1-1/2"	38	0.079	2	1.654	42	20
1-1/2"	38	0.118	3	1.932	44	20
2"	50	0.118	3	2.205	56	20
2-1/2"	63	0.118	3	2.717	69	20

铂金硫化双层纹硅胶管



应用

食品、饮料、化妆品、医药、制药等高洁净行业，中高压下输送液体，可进行CIP及SIP清洗。

技术参数:

- 铂金硫化硅胶管，内置双层网状聚酯纤维增强
- 标准为白色，可定制其他颜色
- 工作温度: -60℃至+200℃

适用标准及认证:

- FDA21CFR177.2600

Applications:

For food, beverages, cosmetics, medicine, pharmaceutical industries, transporting liquids at high pressure. Suitable for CIP and SIP cleaning

Technical Description:

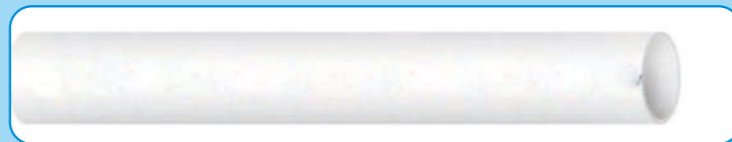
- It is manufactured from high purity platinum cured silicone with double polyester fiber reinforcement
- White (Coloured covers available)
- Temperature range: -60°C to 200°C

Standard/ Approval:

- FDA21CFR177.2600

口径 in.	内径 mm	外径 mm	工作压力 bar	爆破压力 bar	弯曲半径 mm	包装长度 m
3/16"	4.8	13.00	42.5	127.5	28	20
1/4"	6.4	16.00	35.5	106.5	33	20
5/16"	7.9	18.00	32.5	97.5	38	20
3/8"	9.5	20.00	30.5	91.5	45	20
1/2"	12.7	23.00	28.5	84.0	55	20
5/8"	15.9	27.00	25.5	76.5	63	20
3/4"	19.0	30.50	23.5	70.5	76	20
7/8"	22.0	33.00	19.0	57.0	102	20
1"	25.4	38.00	15.8	47.4	125	20
1-1/4"	32.0	46.00	14.6	43.8	190	20

铂金硫化钢丝硅胶管



应用:

具有极好弯曲性，内壁光滑清洁，易清洗不粘水，用清洗物清洗后不附着任何残留物，可采用高温高压蒸汽消毒和灭菌，无嗅、无味，完全无毒，不含任何塑化剂和添加剂成分。

技术参数:

- 食品级铂金硫化硅胶管，四层涤纶织物编织，SS304不锈钢丝增强。
- 半透明
- 工作温度: -60° C至+180° C

适用标准及认证:

- FDA

口径 in.	内径 mm	外径 mm	壁厚 mm	工作压力 bar	爆破压力 bar	真空度 bar	弯曲半径 mm	包装长度 m
1/2"	12.7	25.1	6.2	10	40	0.90	60	6-10
5/8"	16.0	28.4	6.2	10	40	0.90	70	6-10
3/4"	19.0	31.4	6.2	10	40	0.90	85	6-10
1"	25.4	37.8	6.2	10	40	0.90	110	6-10
1-1/4"	31.8	44.2	6.2	10	40	0.90	140	6-10
1-1/2"	38.1	50.5	6.2	10	40	0.90	180	6-10
2"	50.8	63.2	6.2	10	40	0.90	250	6-10
2-1/2"	63.5	75.9	6.2	7	28	0.68	280	6-10
3"	76.2	88.6	6.2	4	16	0.68	390	6-10
4"	102.0	114.4	6.2	3	12	0.68	480	6-10

Applications:

Excellent bending resistance, smooth inner, easy to clean, can be used high temperature and high pressure steam disinfection and sterilization. tasteless, completely non-toxic, does not contain any plasticizer and additives

Technical Description:

- Food grade platinum cured silicone hoses with stainless steel helix and 4 layers of polyester reinforcement
- Semitransparent
- Temperature range: -60°C to +180°C

Standard/Approval:

- FDA

网纹硅胶管



应用:

食品、饮料、化妆品、医药、制药等高洁净行业，中压下输送液体，可进行CIP及SIP清洗，不建议用于真空环境。

技术参数:

- 铂金硫化硅胶管，内置网状聚酯纤维增强
- 标准为半透明，可定制其他颜色
- 工作温度: -30°C至+150°C

适用标准及认证:

- FDA 21 CFR 177.2600

Applications:

For food, beverages, cosmetics, medicine, pharmaceutical industries transporting liquids at medium pressure where a closed bending radius is not required. It is not recommended for vacuum. Suitable for CIP and SIP cleaning

Technical Description:

- It is manufactured from high purity platinum cured silicone with polyester fiber reinforcement
- Semitransparent (Coloured covers available)
- Temperature range 30°C to +150°C

Standard/Approval:

- FDA 21 CFR 177.2600

口径 in.	内径 mm	外径 mm	工作压力 bar	爆破压力 bar	弯曲半径 mm	包装长度 m
1/8"	3.18	9	13	39	12.7	20
1/6"	4	10	11	33	19.05	20
3/16"	5	11	10	30	25.4	20
1/4"	6.35	13.2	9	27	38.1	20
5/6"	7.93	15	8	24	44.5	20
3/8"	9.52	16.6	7	21	57.15	20
1/2"	12.7	20.3	6	18	70	20
5/8"	15.87	24.5	5	15	82.55	20
3/4"	19.05	27.9	4.5	13.5	95.25	20
7/8"	22.2	31.3	4	12	145	20
1"	25.4	34.5	3.5	10.5	157	20
1-1/4"	31.75	40.8	3	9	204	20

铂金硫化四层网纹硅胶管



应用

用于中压下输送食品、药品和化妆品，可进行CIP及SIP清洗，不建议用于真空环境。

技术参数:

- 铂金硫化硅胶管，内置四层聚酯纤维布增强
- 标准为半透明，可定制其他颜色
- 工作温度: -60°C至+200 °C

适用标准及认证:

- FDA21.CFR.177.2600

Applications:

Normally used in food, pharmaceutical and cosmetic processes, Not recommended for vacuum. Suitable for CIP and SIP cleaning

Technical Description:

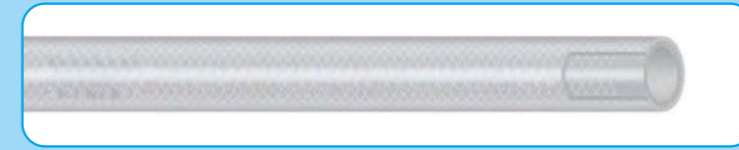
- This is manufactured from High purity platinum cured Silicone with 4 layer polyester reinforcement
- Semitransparent (Coloured covers available)
- Temperature range: -60°C to + 200°C

Standard/ Approval:

- FDA21CFR.177.2600

口径 in.	内径 mm	外径 mm	工作压力 bar	爆破压力 bar	包装长度 m
1/4"	6	15	21	63	6
5/16"	8	17	17	51	6
3/8"	10	19	14	42	6
1/2"	13	22	12	36	6
5/8"	16	25	10	30	6
3/4"	19	28	7.7	23.1	6
1"	25	34	6.7	20.1	6
1-1/4"	32	41	6.3	18.9	6
1-1/2"	38	47	5.5	16.5	6
1-3/4"	45	54	5	15	6
2"	51	60	4.6	13.8	6
2-1/4"	57	66	4.3	12.9	6
2-1/2"	63	72	4	12	6
3"	76	85	3.5	10.5	6
3-1/2"	89	98	3	9	6
4"	102	111	2.7	8.1	6

铂金硫化玻网纹硅胶管



应用:

食品、饮料、化妆品、医药、制药等高洁净行业，可输送高温液体，可进行CIP及SIP清洗，不建议用于真空环境。

技术参数:

- 铂金硫化硅胶管，内置玻璃纤维线增强
- 标准为半透明，可定制其他颜色
- 工作温度: -60°C 至+200°C

适用标准及认证:

- FDA 21 CFR177.2600

Applications:

For food, beverages, cosmetics, medicine, pharmaceutical industries, transporting high temperature liquids where a closed bending radius is not required. It is not recommended for vacuum. Suitable for CIP and SIP cleaning.

Technical Description:

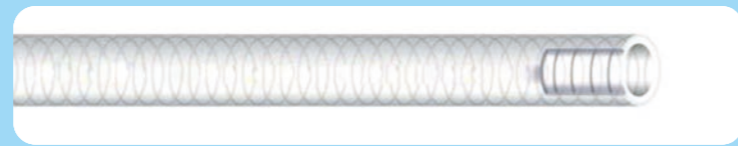
- It is manufactured from high purity platinum cured silicone with glass fiber reinforcement
- Semitransparent (Coloured covers available)
- Temperature range : - 60°C to + 200°C

Standard/Approval:

- FDA 21 CFR177.2600

口径 in.	内径 mm	外径 mm	工作压力 bar	爆破压力 bar	弯曲半径 mm	包装长度 m
1/8"	3.0	9.0	21.0	63.0	15	50
1/6"	4.0	10.0	20.0	60.0	20	50
3/16"	4.8	11.0	18.0	54.0	25	50
1/4"	6.4	13.5	17.0	51.0	40	50
5/16"	7.9	15.0	15.0	45.0	45	50
3/8"	9.5	17.0	14.0	42.0	60	50
1/2"	12.7	22.0	11.0	33.0	70	50
5/8"	15.9	25.0	10.0	30.0	85	50
3/4"	19.0	31.0	7.0	21.0	95	50
7/8"	22.0	34.5	6.5	19.5	145	50
1"	25.4	38.0	6.0	18.0	160	50
1-1/4"	32.0	46.0	5.0	15.0	200	50

铂金硫化透明钢丝硅胶管



应用:

广泛应用于食品、饮料、饮用水、化妆品、医药、制药、中间体、半成品、原料药等高洁净行业，软管透明，可见内部流动介质。

技术参数:

- 铂金硫化透明硅胶管，内置不锈钢丝增强。
- 透明
- 工作温度: -60°C至+180°C

适用标准及认证:

- FDA 21 CFR 177.2600

口径 in.	内径 mm	外径 mm	工作压力 bar	爆破压力 bar	耐负压 bar	弯曲半径 mm	包装长度 m
3/8"	9.5	19.5	9.0	27.0	0.90	38	6-10
1/2"	12.7	22.7	8.5	25.5	0.90	46	6-10
5/8"	15.9	25.9	8.0	24.0	0.90	50	6-10
3/4"	19.0	29.0	7.5	22.5	0.90	60	6-10
1"	25.4	35.4	5.5	16.5	0.90	90	6-10
1-1/4"	32.0	42.0	5.0	15.0	0.90	120	6-10
1-1/2"	38.0	48.0	4.5	13.5	0.90	150	6-10
2"	50.8	60.8	3.5	10.5	0.90	210	6-10
2-1/2"	63.5	73.5	2.5	7.5	0.68	240	6-10
3"	76.2	86.2	2.0	6.0	0.68	300	6-10
3-1/2"	89.0	99.0	1.7	5.1	0.68	340	6-10
4"	102.0	112.0	1.5	4.5	0.68	400	6-10

Applications:

Widely used in sanitary industry, such as food, beverage, drinking water cosmetics, medicine, pharmacy, intermediates, semi-finished products active pharmaceutical ingredients, the hose is transparent so that you can see the flowing medium internal

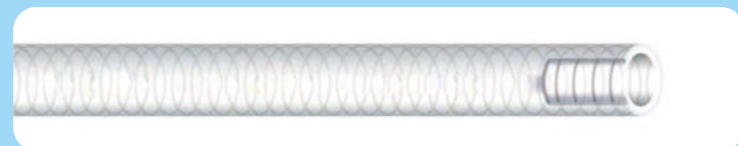
Technical Description:

- This is manufactured from High purity platinum cured Silicone with stainless steel helix reinforcement
- Transparent
- Temperature range: -60C to +180C

Standard/ Approval:

- FDA 21 CFR 177.2600

铂金硫化透明钢丝网纹硅胶管



应用:

食品、饮料、化妆品、制药等高洁净行业, 可耐真空, 可进行CIP及SIP清洗。

技术参数:

- 铂金硫化硅胶管，内置聚酯纤维编织及不锈钢丝增强，内壁光滑，外表抗粘着性
- 标准为透明，可定制其他颜色
- 工作温度: -60°C至+180°C (+260°C可被定制)

适用标准及认证:

- FDA 21 CFR 177.2600

口径 in.	内径 mm	外径 mm	工作压力 bar	爆破压力 bar	弯曲半径 mm	包装长度 m
3/4"	19.5	28.5	7	21	120	6,10
1"	25.4	35.5	7	21	180	6,10
1-1/4"	32.0	43.5	7	21	225	6,10
1-1/2"	38.1	50.5	7	21	280	6,10
2"	50.8	64.5	3	9	390	6,10

Applications:

For food, beverages, cosmetics, medicine, pharmaceutical industries. It is recommended for vacuum. Suitable for CIP and SIP cleaning.

Technical Description:

- It is manufactured from high purity platinum cured silicone with single stainless steel helix and polyester fiber reinforcement. Smooth inner and outer surface to resist material adhesion
- Transparent (Coloured covers available)
- Temperature range : - 60°C to + 18°C (+260°C on request)

Standard/Approval:

- FDA 21 CFR 177.2600

光滑特氟龙单管



技术参数:

- 口径: 2"以内的任意尺寸均可提供, 下表为常用尺寸
- 标准与防静电内衬可供选择
- PTFE单管, 坚固、灵活及高透明性使得该软管成为了众多行业的第一选择, 如: 气动行业, 食品行业, 化学行业等
- 工作温度: -70°C至+260°C

适用标准及认证:

- FDA, USP

Technical Description:

- Range DNO4-DN50, full range of imperial metric sizing available
- Virgin and anti-static tubing available upon request robust and flexible offering the legendary benefits of genuine PTFE makes this the NO. 1 selection for pneumatic, food, chemical, beverage and an almost endless list of applications
- Suitable for use with a wide range of push it or compression type couplings as well as crimped fittings
- Temperature range: -70°C to +260°C

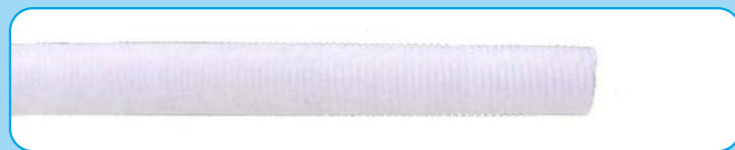
Standard/Approval:

- FDA, USP

	内径		外径		壁厚 mm	工作压力 bar	爆破压力 bar	包装长度 m
	min	max	min	max				
1	1.20	3	3.15	1.0	30	90	100	
2	2.20	4	4.15	1.0	23	69	100	
3	3.20	5	5.15	1.0	18	54	100	
4	4.20	6	6.15	1.0	15	45	250	
5	5.25	7	7.15	1.0	13	39	225	
6	6.25	8	8.15	1.0	11	33	200	
8	8.30	10	10.15	1.0	9	27	150	
10	10.30	12	12.15	1.0	8	24	125	
12	12.35	14	14.15	1.0	7	21	100	
14	14.35	16	16.15	1.0	6	18	85	
16	16.40	18	18.15	1.0	5	15	75	
18	18.40	20	20.15	1.0	5	15	70	
20	20.40	22	22.20	1.0	4	12	60	
22	22.50	25	25.20	1.5	6	18	35	
25	25.50	28	28.20	1.5	5	15	33	
26	26.50	28	28.20	1.0	3	9	20	
30	30.50	34	34.20	2.0	6	18	20	
32	32.50	36	36.20	2.0	5	15	20	
38	38.50	42	42.20	2.0	4	12	20	
40	40.50	44	44.20	2.0	4	12	20	
44	44.50	50	50.20	2.0	6	18	20	
48	48.50	52	52.20	2.0	4	12	20	
50	50.50	54	54.20	2.0	3	9	15	

防静电软管可供选择

耐真空波纹特氟龙单管



特性:

- 可耐受98%的化学品的输送/浸泡
- 可耐受真空负压

技术参数:

- 白色, 内壁光滑, 波纹PTFE单管, 坚固、灵活耐用
- 工作温度:-70℃至+260℃

Advantages:

- For transferring 98% chemicals and it could be soaked in chemical solvent
- Withstand vacuum pressure

Technical description:

- White, Ripple PTFE tube, strong, flexible and durable
- Working temperature: -70℃ to +260℃

口径 in.	内径 mm	壁厚 mm	外径 mm	弯曲半径 mm	耐真空 bar
5/8	16	1.5	22.5	60	0.9
3/4	20	1.5	28	80	0.9
1	25	1.5	33.5	100	0.9
1-1/4	32	1.5	41.5	125	0.9
1-1/2	38	2	54	140	0.9
2	48	2	62	150	0.9
2-1/2	63	2	82	200	0.9
3	74	2.3	90	225	0.9
4	98	3	124	275	0.9

波纹特氟龙软管



应用:

- 医药行业, 食品行业, 化学行业等

优点:

- 里层为波纹状的PTFE软管, 外覆SS304不锈钢编织
- 质轻, 非常柔软, 易清洗, 易排水, 应用范围非常广
- 标准与防静电内衬可供选择

温度范围:

- -70℃至+260℃

认证标准:

- 符合FDA和USP认证

Applications:

- For pharmaceutical, food, chemical, beverage and an almost endless list of applications

Advantages:

- Lightweight, highly flexible, convoluted PTFE hose, with 304 stainless steel over braid
- Low profile liner self-draining, easy clean solution for a wide range of applications
- Virgin and anti-static liners available

Temperature:

- -70℃ to +260℃

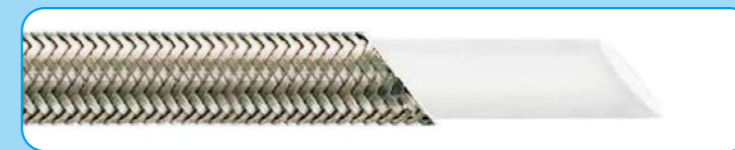
Standard/Approval:

- FDA and USP compliant

Size in.	内径 min. max.		外径 min. max.		内衬壁厚 mm	工作压力 bar	爆破压力 bar	弯曲半径 mm	重量 kg/m
1/4"	6.10	6.70	9.30	9.90	0.75	172	517	18	0.140
5/16"	7.90	8.50	12.30	12.90	0.60	138	414	20	0.160
3/8"	9.50	10.20	12.80	14.50	0.65	138	414	20	0.152
1/2"	12.45	13.08	17.80	19.20	0.80	103	310	25	0.253
5/8"	15.70	16.38	21.80	24.00	0.80	83	248	51	0.304
3/4"	19.00	19.65	24.00	27.00	1.00	69	207	64	0.374
7/8"	21.84	22.86	27.94	29.46	1.00	57	172	76	0.460
1"	25.50	26.16	32.20	36.10	1.00	46	138	89	0.543
1-1/4"	31.95	32.46	40.20	41.30	1.00	34	103	125	0.635
1-1/2"	38.00	38.90	47.80	49.00	1.00	30	90	152	0.840
2"	50.90	51.90	60.50	62.30	1.10	23	69	200	1.000

防静电软管可供选择, 可提供翻边特氟龙管总成, 长度可定制

光滑特氟龙软管



应用:

- 医药行业, 食品行业, 化学行业等

优点:

- 里层为完全平滑的PTFE软管, 外覆SS304不锈钢编织
 - 具有柔韧性高、零摩擦、耐高压和耐温广的优势
- 标准与防静电内衬可供选择

温度范围:

- -70℃至+260℃

认证标准:

- 符合FDA和USP认证

Applications:

- For pharmaceutical, food, chemical, beverage and an almost endless list of applications

Advantages:

- Smooth bore PTFE hose with 304 stainless steel over braid
- High performance product offering superb flexibility, zero friction high pressure and a wide temperature range
- Virgin and anti-static liners available

Temperature:

- -70℃ to +260℃

Standard/Approval:

- FDA and USP compliant

Size mm	内径 mm min. max.		外径 mm min. max.		内衬壁厚 mm	工作压力 bar	爆破压力 bar	弯曲半径 mm	重量 kg/m
4.9	4.65	5.16	7.32	8.43	0.90	276	828	51	0.090
5.1	4.85	5.36	7.49	8.61	0.90	264	793	64	0.094
6.7	6.45	6.96	8.83	9.86	0.75	224	672	76	0.092
8.4	8.15	8.66	10.54	11.56	0.65	207	621	102	0.141
10.3	9.93	10.64	12.78	14.10	0.65	183	552	133	0.148
13.4	13.06	13.36	15.88	17.22	0.90	161	483	152	0.249
16.6	16.10	17.12	18.95	20.57	0.90	114	345	178	0.290
19.8	19.30	20.32	22.15	23.77	1.00	103	310	203	0.339
22.1	21.59	22.61	24.46	26.09	1.00	92	276	229	0.382
26.1	25.60	26.62	28.45	30.07	1.20	80	241	305	0.461

超柔特氟龙软管



技术参数:

- 口径:1/4 " 到6 " , 符合DIN26054-2
- 标准与防静电内衬可供选择, 通过ATEX认证
- 里层为波纹状PTFE软管, 外覆SS304不锈钢编织
- 特别柔软, 并且在高温时都有极好的耐压性能
- 特别适用于需要弯曲性能极佳的情况
- 工作温度:-70℃至+260℃

适用标准及认证:

- FDA, USP

Technical Description:

- Range 1/4-6(DN6-DN150)hose in accordance to DIN 26054-2
- Virgin and anti-static liners available, ATEX Certified
- A high profile, deep convoluted, medium wall PTFE hose available with or without external stainless steel vacuum spiral and 304 stainless steel over braid as standard
- Excellent vacuum and pressure ratings, even at elevated temperatures
- Choose when difficult routing or arduous flexing is required. Also for low pressure applications where bare tube with cuffed ends are required
- Temperature range:-70°C to+260°C

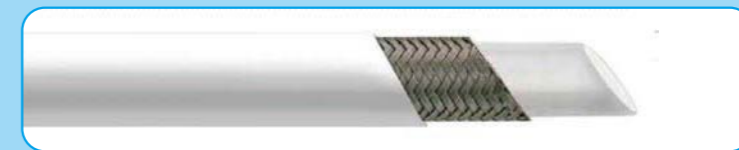
Standard/ Approval:

- FDA, USP

Size in.	内径		外径		内衬壁厚 mm	工作压力 bar	爆破压力 bar	弯曲半径 mm	真空度 bar	重量 kg/m	包装长度 m
	min	max	min	max							
1/4"	5.5	6.9	9.9	11.5	0.75	35	170	25	0.744	0.080	20
3/8"	8.5	10.5	13.2	14.7	0.65	35	170	25	0.744	0.123	20
1/2"	11.6	13.6	12.9	14.4	0.75	60	300	25	0.887	0.140	20
5/8"	15.1	16.4	16.2	17.5	0.80	55	270	35	0.887	0.160	20
3/4"	19.5	20.5	28.6	31.4	1.00	60	290	55	0.887	0.390	20
1"	24.5	25.5	34.2	38.2	1.00	40	210	85	0.887	0.540	20
1-1/4"	31.5	32.5	41.9	46.1	1.00	40	210	100	0.887	0.680	20
1-1/2"	36.5	37.5	47.2	49.9	1.50	35	175	120	0.887	1.110	20
1-3/4"	44.5	45.5	55.8	61.4	1.50	25	135	135	0.887	1.650	20
2"	49.5	50.5	60.5	66.7	1.65	25	135	165	0.887	1.710	20
2-1/2"	62.5	63.5	80.9	89.1	1.60	16	80	230	0.887	2.140	20
3"	73.5	74.5	90.4	99.6	1.60	14	65	260	0.887	3.310	20
4"	94.5	99.5	121.1	127.5	1.82	10	40	300	0.887	4.050	20
5"	128.0	128.0	151.0	161.0	2.20	6	24	450	0.554	5.500	12
6"	150.0	150.0	179.0	189.0	2.50	6	24	520	0.554	6.000	12

防静电软管可供选择, 可提供翻边特氟龙管总成, 长度可定制

硅胶包覆光滑特氟龙软管



技术参数:

- 口径:1/4 " -1 " (DN6-DN25)
- 标准与防静电内衬可供选择
- 里层为完全平滑的PTFE软管, 外覆SS304不锈钢编织和铂金硫化白色硅胶层
- 高性能的产品, 具有极好的柔韧性, 表面光滑易擦洗, 零摩擦, 耐高压和耐温广
- 工作温度:-70℃至+200℃

适用标准及认证:

- FDA, USP

Technical Description:

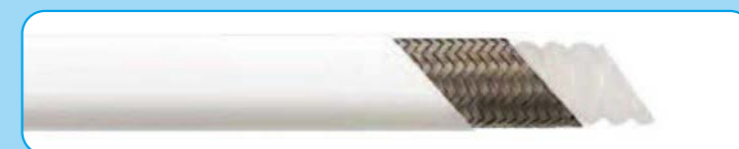
- Range 1/4-1(DN6-DN25)
- Virgin and anti-static liners available
- smooth bore PTFE hose, with 304 stainless steel over braid and white extruded platinum cured silicone cover
- High performance product offering superb flexibility, smooth wipe clean cover, zero friction, high pressures and a wide temperature range
- The solution for a range of application
- Temperature range: -70°C to +200°C

Standard/Approval:

- FDA, USP

Size in.	内径 max	增强层外径 mm	外径 bar	内衬壁厚 bar	工作压力 mm	爆破压力 bar	弯度半径 kg/m	重量 kg/m
1/4"	6.71	9.35	15.35	0.75	224	672	76	0.252
5/16"	8.41	11.05	17.05	0.65	207	621	102	0.323
3/8"	10.29	13.44	19.44	0.65	183	552	133	0.503
1/2"	13.30	16.55	22.55	0.90	161	483	152	0.531
5/8"	16.76	19.76	24.76	0.90	114	345	178	0.614
3/4"	19.81	22.96	27.96	1.00	103	310	203	0.614
7/8"	22.10	25.28	30.28	1.00	92	276	229	0.683
1"	26.11	29.26	34.26	1.20	80	241	305	0.805

硅胶包覆波纹特氟龙软管



技术参数:

- 口径:1/4 " -2 " (DN6-DN50)
- 标准与防静电内衬可供选择
- 里层为波纹状的PTFE软管, 外覆SS304不锈钢编织和铂金硫化白色硅胶层
- 质轻, 柔软, 易清洗, 易排水, 表面光滑易擦洗
- 工作温度:-70℃至+200℃

适用标准及认证:

- FDA, USP

Technical Description:

- Range 1/4-2(DN6-DN50)
- Virgin and anti-static liners available
- Lightweight, high flexible, convoluted PTFE hose, with 304 stainless steel over braid and white extruded platinum cured silicone cover
- Low profile self-draining inner, easy clean, smooth wipe clean cover the solution for a wide range of applications
- Temperature range: -70°C to +200°C

Standard/Approval:

- FDA, USP

Size in.	内径 max	增强层外径 mm	外径 bar	内衬壁厚 bar	工作压力 mm	爆破压力 bar	弯度半径 kg/m	重量 kg/m
1/4"	6.20	9.60	15.60	0.76	172	517	18	0.340
5/16"	8.01	12.46	18.45	0.76	155	465	25	0.395
3/8"	9.50	13.46	19.46	0.76	138	414	22	0.426
1/2"	12.77	18.67	24.67	0.89	103	310	25	0.584
5/8"	15.88	22.10	27.10	0.89	83	248	51	0.627
3/4"	19.05	24.64	29.64	0.89	69	207	64	0.724
7/8"	22.35	28.70	33.70	0.89	57	172	76	0.855
1"	25.53	32.89	37.89	1.02	46	138	89	1.036
1-1/4"	32.21	40.72	45.72	1.02	34	103	125	1.218
1-1/2"	39.37	49.28	54.28	1.02	30	90	150	1.361
2"	50.42	59.69	64.69	1.09	23	69	200	1.624

输水管



应用

本胶管可用于范围广泛的大负荷作业。

技术参数:

- 内层: 黑色丁苯合成胶
- 增强层: 多层螺旋缠绕的合成纤维
- 外层: 黑色丁苯合成胶
- 工作温度: -32 °C至+82 °C

Applications:

For use in heavy-duty service for a wide range of applications.

Technical Description:

- Tube: Black SBR synthetic rubber
- Reinforcement: Spiral-ply synthetic fabric
- Cover: Black SBR synthetic rubber
- Temperature range: -32 °C to +82 °C

口径 in.	内径 mm	外径 mm	工作压力 bar	重量 kg/m	包装长度 m
3/4"	19.1	26.4	10.3	0.34	30.48
1"	25.4	32.8	10.3	0.45	30.48
1-1/4"	31.8	40.6	10.3	0.64	30.48
1-1/2"	38.1	46.7	10.3	0.74	30.48
2"	50.8	60.5	10.3	1.06	30.48
2-1/2"	63.5	72.9	10.3	1.29	30.48
3"	76.2	88.1	10.3	2.04	30.48
4"	101.6	114.3	10.3	2.68	30.48
5"	127.0	140.0	10.3	3.45	30.48
6"	152.4	164.9	10.3	3.76	30.48
8"	203.2	214.6	10.3	5.68	15.24
10"	254.0	270.0	10.3	8.45	15.24
12"	304.8	322.1	10.3	10.46	15.24

耐低温水气管



应用:

这是一款最广泛使用的耐低温的胶管, 可在-54 °C的环境下, 可用于输送空气, 水, 油, 煤油, 燃料, 以及一些化学品。

技术参数:

- 内层: 丁腈合成橡胶, RMA 分类A级(高耐油性)
- 增强层: 合成纤维, 带导线防静电
- 外层: 氯丁橡胶, RMA 分类A级
- 工作温度: -54 °C至+82 °C

Applications:

This is our most popular cold temperature multipurpose hose. For use with air, water, oil, kerosene, fuel oil and some chemical applications.

Technical Description:

- Tube: Nitrile synthetic rubber, RMA Class A (High Oil Resistance)
- Reinforcement: One textile braid
- Cover: Neoprene, RMA Class A (High Oil Resistance)
- Temperature range: -54 °C to +82 °C

口径 in.	内径 mm	外径 mm	工作压力 bar	重量 kg/m	包装长度 m
1/4"	6.4	16.0	20.7	0.22	152.4
3/8"	9.5	19.1	20.7	0.28	152.4
1/2"	12.7	23.1	20.7	0.37	152.4
3/4"	19.1	30.0	20.7	0.54	152.4
1"	25.4	38.1	20.7	0.86	152.4
1-1/4"	31.8	45.7	20.7	1.10	152.4
1-3/8"	34.9	50.0	20.7	1.37	152.4
1-1/2"	38.1	53.1	20.7	1.50	152.4

经济型排吸水管



应用:

适用于排吸生活用水、工业用水、污水、泥浆和液体肥料等。

技术参数:

- 内层: 合成橡胶, 黑色, 光滑
- 增强层: 高强度合成线绳, 内置螺旋钢丝增强
- 外层: 耐磨合成橡胶, 黑色
- 工作温度: -30°C 至 +70°C

Applications:

Suitable for suction and discharge of domestic water, industrial water, sewage, slurry and liquid fertilizer, etc.

Technical Description:

- Tube: Synthetic rubber, black, smooth
- Reinforcement: High strength synthetic cord and helix wire
- Cover: Abrasion-resistant synthetic rubber, black
- Temperature range: -30 °C to +70 °C

口径 in.	内径 m	外径 mm	工作压力 bar	包装长度 m
3/4"	19	30	20.7	40
1"	25	36	20.7	40
1-1/4"	32	44	20.7	40
1-1/2"	38	50	20.7	40
1-3/4"	45	57	20.7	40
2"	51	63	20.7	40
2-1/2"	64	76	20.7	40
3"	76	90	20.7	40
3-1/2"	89	103	20.7	40
4"	102	118	20.7	40
5"	127	146	20.7	40
6"	152	171	20.7	40
8"	203	227	20.7	40
10"	254	278	13.8	12
12"	305	334	13.8	12
14"	355	384	12.1	10

备注: 可定制提供其他颜色及工作压力

高品质水管



应用:

多用途软管, 用于一般工业, 建筑, 园艺, 农业等等, 也可用于清洗, 粉末, 灌装, 喷水及排水。

优点:

- 非常柔软, 寿命长
- 三元乙丙外层, 耐臭氧, 环境, 紫外线
- 不含脱芯剂, 不含任何有害喷涂物质
- 低流量损失

技术参数:

- 内层: 黑色, 光滑, 均匀三元乙丙内层
- 增强层: 合成纤维
- 外层: 三元乙丙材质
- 工作温度: -40 °C 至 +100 °C

Applications:

Multipurpose hose for general application in industry, construction, civil engineering, landscape gardening, agriculture, etc., an ideal hose for cleaning and sprinkling, filling, spraying, rinsing and draining.

Advantages:

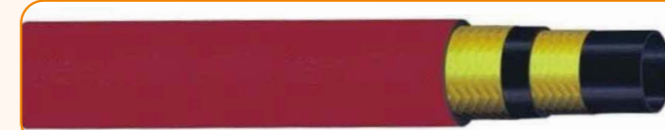
- Highly flexible and robust
- EPDM outer layer, resistant to ozone, weather and UV
- Release agent- and fat-free, free from any product harmful to lacquer
- Low resistance to flow

Technical Description:

- Tube : EPDM, black, smooth
- Reinforcement: Synthetic fiber
- Cover : EPDM
- Temperature range : -40°C to +100°C

口径 in.	内径 mm	外径 mm	工作压力 bar	爆破压力 bar	弯曲半径 mm	重量 kg/m	包装长度 m
1/2"	13	19	20	60	46	0.25	40 50 80
5/8"	16	23	20	60	60	0.33	40 50 80
3/4"	19	27	20	60	65	0.44	40 50 80
7/8"	22	31	20	60	70	0.52	40 50
1"	25	34	20	60	110	0.58	40 50
1-1/8"	28	38	15	45	120	0.72	40
1-3/16"	30	41	15	45	140	0.84	40
1-1/4"	32	43	15	45	150	0.87	40
1-3/8"	35	46	15	45	180	0.94	40
1-1/2"	38	50	15	45	200	1.10	40
1-9/16"	40	52	15	45	240	1.15	40
1-5/8"	42	54	10	30	250	1.25	40
2"	50	64	10	30	300	1.57	40

常用蒸汽输送管



应用:

高压钢丝加强型蒸汽管, 适用于热控, 消防等超热蒸汽。工业应用中最大压力可达17.2bar或250psi, 2" 以上可耐负压。

技术参数:

- 内层: 黑色, 光滑三元乙丙橡胶, 耐超高温蒸汽和水
- 加强层: 钢帘线缠绕, 2" 以下螺旋钢丝加强
- 外层: 红色或黑色, 光滑三元乙丙橡胶, 耐高温, 耐侵蚀, 耐磨损,
- 防老化, 有微型针孔
- 工作温度: -40°C 至 +208°C

注意: 用于超热蒸汽会缩短软管使用寿命。为延长寿命请使用后将管内水排净。

Applications:

Mandrel steel reinforced high pressure steam pipe for thermal confine and other super-hot steam. Industrial applications maximum pressure 17.2 bar or 250psi 2" above have negative pressure resistance

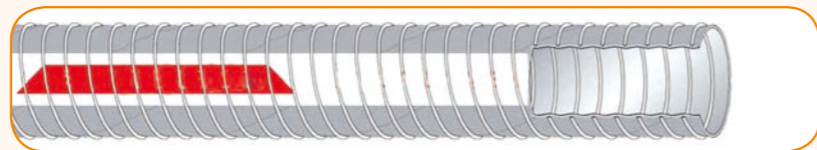
Technical Description:

- Tube: Black, smooth ethylene propylene diene monomer (EPDM) resistant to ultra-high-temperature steam and water
- Reinforcement: Wire surround layer, 2" above with embedded steel heli
- Cover: Red or black, smooth ethylene propylene diene more (EPDM) rubber, high temperature resistance, corrosion resistance, anti-aging, there are miniature pinhole
- Temperature range: -40 C to +208 C

Note: the use of superheated steam will shorten the life of the hose To extend the service life, please clean up the water in the tube

口径 in.	内径 mm	外径 mm	工作压力 bar	爆破压力 bar	弯曲半径 mm	重量 kg/m	包装长度 m
1/2"	12.7	24.0	17.2	172	70	0.49	40
5/8"	15.9	27.0	17.2	172	80	0.56	40
3/4"	19.1	32.0	17.2	172	100	0.72	40-61
1"	25.4	38.5	17.2	172	140	0.96	40-61
1-1/4"	31.8	46.0	17.2	172	200	1.27	40-61
1-1/2"	38.1	52.0	17.2	172	250	1.58	40-61
2"	50.8	67.0	17.2	172	350	2.37	40-61
2-1/2"	63.5	79.5	17.2	172	450	2.97	40-61
3"	76.2	93.0	17.2	172	550	3.88	40-61
4"	101.6	124.0	17.2	172	750	6.60	40-61

化学品复合管



应用:

用于排吸大部分有腐蚀性的化学品, 油类与石油类产品。适用于公路和铁路罐车设备上。

优点:

- 良好的弯曲性能(弯曲半径小)
- 耐温范围广
- 能输送大部分化学腐蚀品

技术参数:

- 内部螺旋: 聚丙烯涂层钢丝
- 内层: 聚丙烯薄膜
- 增强层: 聚丙烯层
- 外层: 灰色, 外覆聚氯乙烯纤维布料
- 外部螺旋: 304L不锈钢(316L可供选择)
- 工作温度: -30°C至+80°C
- 导电性能: 螺旋钢丝导静电

适用标准及认证:

EN13765, ADR

Applications:

Suction and discharge of a large number of aggressive or corrosive chemicals, chemical waste and all petroleum products with aromatic content up to 100%. For road and rail tanker equipment or fixed installations in the chemical industry.

Advantages:

- Easy to handle due to hose flexibility (low bending radius)
- Usable at a wide range of temperatures
- Capable of handling many different chemicals
- Electrical conductivity assured by the external helix which is attached to the couplings

Technical Description:

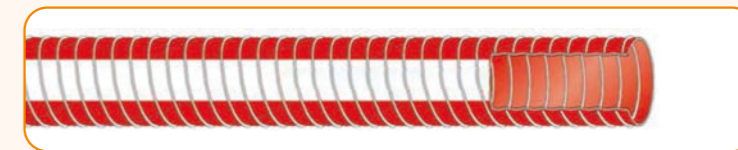
- Internal helix: Polypropylene coated steel
- Tube: Polypropylene film
- Reinforcement: Polypropylene layers
- Cover: PVC coated fabric, grey, corrugated.
- External helix: Stainless steel 304L(316L on request)
- Temperature range: -30 °C to + 80 °C
- Electrical properties: Electrical conductivity ensured by the external helix in contact with fittings

Standard/Approval:

EN13765, ADR

内径 in.	外径 mm	工作压力 bar	爆破压力 bar	耐负压 bar	弯曲半径 mm	重量 kg/m	包装长度 m
1"	37.0	14	56	0.9	100	0.84	30
1-1/4"	43.0	14	56	0.9	120	1.03	30
1-1/2"	52.0	14	56	0.9	140	1.26	30
2"	62.0	14	56	0.9	180	1.55	30
2-1/2"	78.5	14	56	0.9	200	2.51	30
3"	95.0	14	56	0.9	280	2.88	30
4"	121.0	14	56	0.9	400	4.70	20
5"	149.0	14	56	0.9	450	8.16	15
6"	180.0	14	56	0.9	500	10.80	20
8"	234.0	14	56	0.9	740	17.60	20
10"	297.0	14	56	0.9	920	22.50	12

特氟龙复合软管



应用:

排吸大部分腐蚀性很强的化学品, 适用于原料药输送。

优点:

- 良好的弯曲性能(弯曲半径小)
- 耐温范围宽
- 能够输送大部分化学品

技术参数:

- 内部螺旋: 304L不锈钢
- 内层: PTFE薄膜
- 增强层: 聚丙烯层
- 外层: 砖红色, 外覆聚氯乙烯纤维布料
- 外部螺旋: 304L不锈钢
- 温度范围: -30°C至+80°C
- 导电性能: 螺旋钢丝导静电

适用标准及认证:

EN13765和ADR

内径 in.	外径 mm	工作压力 bar	爆破压力 bar	耐负压 bar	弯曲半径 mm	重量 kg/m	包装长度 m
1"	37	14	56	0.9	100	0.84	30
1-1/4"	43	14	56	0.9	120	1.03	30
1-1/2"	52	14	56	0.9	140	1.26	30
2"	62	14	56	0.9	180	1.55	30
2-1/2"	78.5	14	56	0.9	200	2.51	30
3"	95	14	56	0.9	280	2.88	30
4"	121	14	56	0.9	400	4.70	20
5"	149	14	56	0.9	450	8.16	15
6"	180	14	56	0.9	500	10.80	20
8"	234	14	56	0.9	740	17.60	20
10"	297	14	56	0.9	920	22.50	12

Applications:

Suction and discharge of a large number of very aggressive or very corrosive chemicals, chemical waste For road and rail tanker equipment or fixed installations in the chemical industry

Advantages:

- Easy to handle due to hose flexibility (low bending radius)
- Usable at a wide range of temperatures
- Capable of handling many different chemicals
- Electrical conductivity assured by the external helix which is attached to the couplings

Technical description:

- Internal helix: stainless steel 304L
- Tube: PTFE film
- Reinforcement: polypropylene layers
- Cover: PVC coated fabric, red, corrugated (Stainless steel 304L)
- Temperature range: -30 C to+ 115°C
- Electrical properties: electrical conductivity ensured by the external helix in contact with fittings

Standard/Approval:

En13765 and ADR

输油复合软管



应用:
适用于油类与石油类产品，用于公路和铁路设备或固定安装设备上。

优点:
使用于大部分石油产品
良好的弯曲半径
钢丝导静电

技术参数:
内部螺旋:镀锌钢丝
内层:聚丙烯薄膜
增强层:聚丙烯层
外层:外覆聚氯乙烯纤维布料，黑色，波纹状
外部螺旋:镀锌螺旋钢丝
工作温度:-30℃至+80℃
导电性能:螺旋钢丝导静电

适用标准及认证:
EN13765, ADR

Applications:
Suction and discharge of light or heavy petroleum products and derivatives with aromatic content up to 100 % Road and rail equipment or fixed installations

Advantages:
Both black and white oil can be carried
Low bending radius
Electrical conductivity ensured by the two helices which are attached to the couplings

Technical Description:
Internal helix: Galvanized steel
Tube: Polypropylene film
Reinforcement: Polypropylene layers
Cover: PVC coated fabric, black, corrugated
External helix: Galvanized steel
Temperature range: -30°C to +80°C
Electrical properties: Electrical conductivity ensured by the external helix in contact with fittings

Standard/Approval:
EN13765 ADR

口径 in.	内径 mm	外径 mm	工作压力 bar	爆破压力 bar	耐负压 bar	弯曲半径 mm	重量 kg/m	包装长度 m
1"	37.0	37.0	14	56	0.9	100	0.84	30
1-1/4"	43.0	43.0	14	56	0.9	120	1.03	30
1-1/2"	52.0	52.0	14	56	0.9	140	1.26	30
2"	62.0	62.0	14	56	0.9	180	1.55	30
2-1/2"	78.5	78.5	14	56	0.9	200	2.51	30
3"	95.0	95.5	14	56	0.9	280	2.88	30
4"	121.0	121.0	14	56	0.9	400	4.70	30
5"	149.0	149.0	14	56	0.9	450	8.16	30
6"	180.0	180.0	14	56	0.9	500	10.80	30
8"	234.0	234.0	14	56	0.9	740	17.60	30
10"	297.0	297.0	14	56	0.9	920	22.50	12

混凝土输送软管



应用:
可用于湿态混凝土的输送作业，该作业所凭借的是混凝土泵车“重点灵活冲洗回转区域”的“高水头压力”：该产品可被用作混凝土泵输送端的排送软管，超越 ASME B30.27-2009标准要求 2:1爆破安全系数

技术参数:
内层:黑色聚丁二烯共混橡胶
增强层:多层高强度钢丝螺旋缠绕
外层:黑色丁苯橡胶(包裹压印)
工作温度:-40℃至+82℃

Applications:
For handling wet concrete with high head pressures at the critical flex areas of a concrete boom truck and as a discharges hose on the delivery end of high-pressure concrete pumps. Exceeds ASEM B30.27-2009. 2: 1 WP to burst ratio

Technical Description:
Tube: Black Chemi Tuf synthetic rubber
Reinforcement: Spiral high-strength steel wire
Cover: Black SBR synthetic rubber(wrapped impression)
Temperature range: -40°C to +82°C

口径 in.	内径 mm	外径 mm	工作压力 bar	爆破压力 bar	弯曲半径 mm	重量 kg/m	包装长度 m
2"	50.8	76.4	85	340	275	4.10	15.24
2-1/2"	63.5	88.9	85	340	300	4.92	15.24
3"	76.2	101.3	85	340	350	5.65	15.24
4"	101.6	127.4	85	340	400	7.29	15.24
5"	127.0	152.5	85	340	500	8.00	15.24

经济型排吸油管



应用:
可用于排吸各种石油产品。

技术参数:

- 内层: 耐油丁腈合成橡胶，黑色，光滑
- 增强层: 高强度合成线绳，内置螺旋钢丝增强
- 外层: 氯丁二烯合成橡胶，黑色
- 工作温度: -20℃至+120℃

Applications:
Be used for the suction and discharge of various petroleum products.

Technical Description:

- Tube: Oil resistant NBR, black, smooth
- Reinforcement: High strength synthetic cord and helix wire
- Cover: Synthesis of chloroprene rubber, black
- Temperature range: -20°C to +120°C

口径 in.	内径 mm	外径 mm	工作压力 bar	弯曲半径 mm	包装长度 m
3/4"	19	31	20.7	85	61
1"	25	37	20.7	100	61
1-1/4"	32	45	20.7	130	61
1-1/2"	38	51	20.7	150	61
2"	51	64	20.7	300	61
2-1/2"	64	83	20.7	400	61
3"	76	97	20.7	420	61
3-1/2"	89	110	20.7	500	61
4"	102	129	20.7	550	61
5"	127	154	20.7	650	61
6"	152	180	20.7	800	61
8"	203	228	20.7	1300	30
10"	254	279	13.8	1800	30
12"	305	334	13.8	2300	12
14"	355	385	13.8	2850	10

备注: 可定制提供其他颜色及工作压力

超柔软排吸软管



应用:
一种超柔软轻便的用于罐车及工厂内部操作的软管，可输送柴油、乙醇、汽油及含芳香剂达60%以上石油基产品。波纹型结构可以达到更小的阻力系数及超耐磨度。

技术参数:

- 内层: 黑色丁腈合成橡胶(耐油等级为A级)
- 增强层: 合成纤维多层缠绕并带有钢丝增强
- 外层: 黑色乙烯基丁腈合成橡胶(波纹状)
- 工作温度: -40℃至+93℃

Applications:
An extremely flexible and lightweight hose for use in tank truck and drilling operation to transfer diesel, ethanol, gasoline, oil and petroleum based products. Corrugated construction for lower drag coefficient and superior abrasion resistance.

Technical Description:

- Tube: Black NBR rubber RMA Class A
- Reinforcement: Synthetic multi-layer winding and reinforced with steel wire
- Cover: Black Buna-N-Vinyl synthetic rubber (Corrugated)
- Temperature range: -40°C to +93°C

口径 in.	内径 mm	外径 mm	工作压力 bar	耐负压 in	弯曲半径 mm	重量 kg/m	包装长度 m
3/4"	19	30.5	17.2	29	19.05	0.65	30.48
1"	25	36.8	17.2	29	25.40	0.81	30.48
1-1/2"	38	48.5	17.2	29	38.10	1.08	30.48
2"	51	61.8	17.2	29	50.80	1.43	30.48
2-1/2"	63	76.1	13.7	29	63.50	2.10	30.48
3"	76	88.8	13.7	29	76.20	2.51	30.48
4"	102	115.7	10.3	29	101.60	3.61	30.48

沥青管



应用:

用于输送高温的石油基产品物料, 如焦油、沥青和热油。本品适用于公路罐车、铁路罐车以及加油站的抽吸和输送作业。本品采用了耐热材料的管外层和Flexten的加固层(耐热油能达到200°F)。

技术参数:

- 内层: 黑色丁腈合成橡胶(特殊耐热材料), RMB级别A(高耐油性)
- 增强层: 多层螺旋缠绕的Flexten®, 带有金属螺旋丝
- 外层: 黑色氯丁合成橡胶, RMB级别A(高耐油性), 带有红色螺旋缠绕带
- 工作温度: -32°C至+177°C

Applications:

For the transfer of high temperature petroleum-based materials such as tar, asphalt and hot oils. It is suitable for suction and discharge service on tank trucks, tank cars or at bulk stations. Heat resistant tube and Flexten reinforcement. (Hot oils only rated to 200°F).

Technical Description:

- Tube: Black Nitrile (special heat resistant) synthetic rubber RMA Class A (High Oil Resistance)
- Reinforcement: Spiral-plied Flexten® with wire helix
- Cover: Black Neoprene synthetic rubber RMA Class A (High Oil Resistance) with spiral red stripe
- Temperature range: -32°C to +177°C

口径 in.	内径 mm	外径 mm	工作压力 bar	耐负压 in	弯曲半径 mm	重量 kg/m	包装长度 m
1-1/2"	38.1	54.4	10.3	29	102	1.55	30.48
2"	50.8	67.6	10.3	29	127	1.98	30.48
2-1/2"	63.5	80.2	10.3	29	152	2.49	30.48
3"	76.2	92.8	10.3	29	178	3.32	30.48
4"	101.6	120.4	10.3	29	254	4.34	30.48

LPG输送管



应用范围:

可用于输送LPG液化石油气, 常配套在罐车的卷管器上。还可用于输送芳烃含量不高于50%的石油产品。

优点:

- 质轻, 具有良好的柔韧性
- 良好的弯曲半径
- 具有良好的防静电性能, 耐油性
- 表面针刺式, 用于输送液化石油气

技术参数:

- 内层: NBR合成橡胶, 黑色, 光滑
- 增强层: 2层高强度合成线绳
- 外层: 耐油耐老化NBR/PVC合成橡胶, 黑色, 内径小于25mm为光滑, 大于25mm为毛面。
- 工作温度: -30°C至+100°C
- 导电性能: 内层导电, $R < 10^{\circ} \Omega / g$
- 适用标准及认证: EN 1762: 2003 type D

Applications:

For reels on road tankers for LPG delivery. Discharge at pressure of petroleum products with aromatic contents $\leq 50\%$

Advantages:

- Flexible and light weight
- Excellent bending radius
- Dissipation of static electricity ensured by the tube and bonding braid
- Very good cover resistance
- Pin-pricked cover for combustible gas conveyance
- Very good oil resistance

Technical Description:

- Inner tube: LPG resistant NBR, black smooth
- Reinforcement: Two textile braids
- Cover: Oil and weather resistant CR, black smooth for ID < 25 mm, fabric impression for ID ≥ 25 mm
- Temperature range: -30°C to +100°C
- Electrical properties: Conductive tube, $R < 10^{\circ} \Omega / g$
- Standard/Approval: EN 1762: 2003 type D

口径 in.	内径 mm	外径 mm	工作压力 bar	爆破压力 bar	弯曲半径 mm	重量 kg/m	包装长度 m
1/2"	12.7	22.7	25	100	100	0.38	100
5/8"	15.9	25.9	25	100	125	0.48	36-40
3/4"	19.0	31.0	25	100	160	0.59	15-20-40-50
1"	25.0	38.0	25	100	200	0.73	40-42-50-60
1-1/4"	32.0	45.0	25	100	250	0.92	30-40-42-50
1-1/2"	38.0	52.0	25	100	320	1.16	60-120
2"	50.0	66.0	25	100	400	1.60	30-40
3"	75.0	93.0	25	100	650	2.83	40
4"	100.0	120.0	25	100	720	4.37	40
6"	150.0	174.0	25	100	1000	7.94	20

SR1SN液压管



应用:

中等压力的液压应用, 包括机床和农业的应用, 使用石油或水基液压油。

技术参数:

- 内胶: 丁腈橡胶
- 增强层: 一层高强度编织钢丝
- 外胶: 黑色氯丁胶(内径25.4mm以下布纹或光面可选)
- 工作温度: -40°C至+100°C

适用标准及认证:

EN853 1SN, GB/T3683.1 1SN, SAE J517 R1S
ISO 1436 1SN

口径 in.	内径 mm	外径 mm	工作压力 bar	爆破压力 bar	弯曲半径 mm	重量 kg/m
3/16"	5.0	12.5	250	1000	90	0.19
1/4"	6.3	14.1	225	900	100	0.23
5/16"	8.0	15.7	215	860	115	0.27
3/8"	10.0	18.1	180	720	125	0.34
1/2"	12.5	21.4	160	640	180	0.43
5/8"	16.0	24.5	130	520	205	0.51
3/4"	19.0	28.5	105	420	240	0.66
1"	25.0	36.6	87	350	300	1.00
1-1/4"	31.5	44.8	62	250	420	1.35
1-1/2"	38.0	52.1	50	200	500	1.56
2"	51.0	65.5	40	160	630	2.20
2-1/2"	64.0	77.0	50	200	760	2.74

SR2SN液压管



应用:

高压液压油适用于建筑、机床、农业上的应用使用。石油或水基液压油。

技术参数:

- 内胶: 丁腈橡胶
- 增强层: 两层高强度编织钢丝
- 外胶: 黑色氯丁胶(内径25.4mm以下布纹或光面可选)
- 软管尺寸3/16"-5/8", 真空度达到28英寸汞柱。软管尺寸3/4"-1", 真空度达到24英寸汞柱
- 温度: -40°C至+100°C

适用标准及认证:

EN853 2SN, GB/T3683.1 2SN, SAE J517 R2S
ISO 1438 2SN

口径 in.	内径 mm	外径 mm	工作压力 bar	爆破压力 bar	弯曲半径 mm	重量 kg/m
3/16"	5.0	14.1	415	1660	90	0.27
1/4"	6.6	15.7	400	1600	100	0.34
5/16"	8.1	17.3	350	1400	115	0.39
3/8"	9.8	19.7	330	1320	130	0.49
1/2"	12.9	23.0	275	1100	180	0.59
5/8"	16.1	26.2	250	1000	200	0.71
3/4"	19.2	30.1	215	860	240	0.89
3/4"	19.2	30.1	250	1000	240	0.89
1"	25.7	38.1	165	600	300	1.37
1-1/4"	32.2	49.5	125	500	420	2.27
1-1/2"	38.5	55.9	90	360	500	2.44
2"	51.2	68.6	80	320	630	3.00
2-1/2"	64.1	83.0	70	280	760	3.47

Applications:

Medium pressure hydraulic application including machine tool and agricultural application, using petroleum or water based hydraulic fluids.

Technical Description:

- Tube: Nitrile
- Reinforcement: One braid of high-tensile steel wire
- Cover: Black Neoprene (I.D. less than 25.4mm wrap or smooth cover)
- Temperature range: -40°C to +100°C

Standard/Approval:

EN853 1SN, GB/T3683.1 1SN, SAE J517 R1S, ISO 1436 1SN

Applications:

High pressure hydraulic oil lines in construction, machine tool and agricultural application using petroleum-or water-based hydraulic fluids.

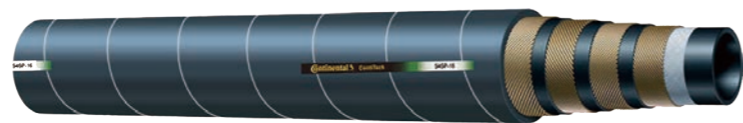
Technical Description:

- Tube: Nitrile
- Reinforcement: Two braids of high-tensile steel wire
- Cover: Black Neoprene Blend (I.D. less than 25.4mm wrap or smooth cover)
- Hose sizes 3/16"-5/8" have a vacuum rating of 28 in Hg. Hose size 3/4"-1" have a vacuum rating of 24 in Hg
- Temperature range: -40°C to +100°C

Standard/Approval:

GB/T3683.1 2SN, SAE J517 R2S, ISO 1438 2SN
EN853 2SN

S4SP液压管



应用:

超高压油基流体液压输送系统。

技术参数:

- 内胶: 氯丁橡胶
- 增强层: 四层交互缠绕的高强度钢丝
- 外胶: 黑色氯丁橡胶混合物, 满足MT/T98和GB/T15907阻燃标准要求
- 工作温度: -40°C 至 +100°C

适用标准及认证:

GB/T 10544 4SP, EN 856 4SP, MT/T98 4SP

口径 in.	内径 mm	外径 m	工作压力 bar	爆破压力 bar	弯曲半径 mm	重量 kg/m
1/4"	6.3	17.9	450	1800	150	*
3/8"	10.0	21.4	445	1780	180	*
1/2"	12.5	24.6	415	1660	230	0.87
5/8"	16.0	28.2	350	1400	250	1.09
5/8"	16.0	28.2	400	1600	250	1.18
3/4"	19.0	32.2	380	1520	300	1.46
1"	25.0	39.7	320	1280	340	1.94
1-1/4"	31.5	50.8	210	840	460	2.96
1-1/2"	38.0	57.2	185	740	560	3.45
2"	51.0	69.8	165	660	660	4.64

Applications:

Very high pressure applications used for petroleum-based hydraulic fluids.

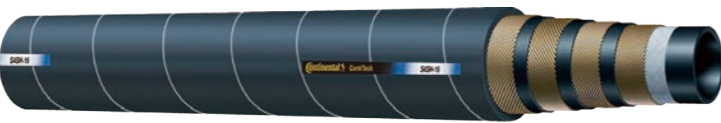
Technical Description:

- Tube: Neoprene
- Reinforcement: Four layers of spiraled high-tensile wire
- Cover: Black Neoprene Blend, MT/T98 and GB/T 15907 Flame resistance
- Temperature range: -40°C to +100°C

Standard/Approval:

GB/T 10544 4SP, EN 856 4SP, MT/T98 4SP

S4SH液压管



应用:

超高压油基流体液压输送。

技术参数:

- 内胶: 氯丁橡胶
- 增强层: 四层交互缠绕的高强度钢丝
- 外胶: 黑色氯丁橡胶混合物, 满足MT/T98和GB/T15907阻燃标准要求
- 工作温度: -40°C 至 +100°C

适用标准及认证:

GB/T 10544 4SH, EN 856 4SH, MT/T98 4SH

口径 in.	内径 mm	外径 m	工作压力 bar	爆破压力 bar	弯曲半径 mm	重量 kg/m
3/4"	19.0	33.0	420	1680	280	1.62
1"	25.0	39.9	380	1520	340	2.21
1-1/4"	31.5	47.1	350	1400	460	2.55
1-1/2"	38.0	55.1	290	1160	560	3.26
2"	51.0	69.7	250	1000	700	4.92

Applications:

Very high pressure applications used for petroleum-based hydraulic fluids.

Technical Description:

- Tube: Neoprene
- Reinforcement: Four layers of spiraled high-tensile steel wire
- Cover: Black Neoprene Blend, Meets MT/T98 and GB/T 15907 Flame resistance
- Temperature range: -40°C to +100°C

Standard/Approval:

GB/T 10544 4SH, EN 856 4SH, MT/T98 4SH

金属管件



应用:

适用于运动场合和对寿命要求较高的场合。

优点:

- 柔软性好, 受力时不易产生扭转应力
- 耐腐蚀性, 耐高温, 耐低温, 对抗极端温度的能力

技术参数:

- 材质: 321(1Cr18Ni9T), SS304, SS316, SS316L。不锈钢带经剪裁, 卷圆, TG焊, 波纹成型
- 工作温度: 单管耐温: -228°C至+600°C
- 配套碳钢接头总成耐温: -57°C至+482°C

Applications:

Suitable for situation of dynamic and high request of life

Advantages:

- Good flexibility, not easy to cause twisting stress
- Good resistance to corrosion, high temperature and low temperature

Technical Description:

- Material: 321(1CR18NI9TI), SS304, SS316, SS316L. With process of automatic trimming, crimping, TIG welding and shaping to stainless strip
- Temperature Range: For metal hose: -228°C to +600°C
- Assembled with carbon steel fittings: -570°C to +482°C



环形波纹软管

公称通径 mm	内径 in.	内径 mm	外径mm		最小弯曲半径mm		最高使用压力 (mpa)		重量 (kg/m)	
			本体	一层网套	静态	动态	1层网套	2层网套	本体	带一层网套
20	3/4"	20	28	30	100	180	5.0	8.0	0.35	0.60
25	1"	25	34	37	120	280	4.0	7.5	0.47	0.85
32	1-1/4"	32	43	45	140	340	3.5	6.4	0.51	0.96
40	1-1/2"	40	51	53	180	450	3.0	5.6	0.70	1.10
50	2"	50	63	65	220	550	2.5	4.0	0.85	1.75
65	2-1/2"	65	80	82	280	650	2.0	4.0	1.41	2.70
80	3"	80	100	103	350	800	2.0	3.2	1.62	3.12
100	4"	100	123	125	400	1000	1.6	2.5	2.00	3.70
125	5"	125	150	154	500	1200	1.5	2.5	2.80	5.00
150	6"	150	178	182	600	1500	1.5	2.5	3.80	6.60
175	7"	175	207	213	700	1750	1.2	2.0	5.80	9.70
200	8"	200	240	245	800	2000	1.2	2.0	6.70	12.00
250	10"	250	298	303	1000	2200	1.0	1.6	10.60	18.10
300	12"	300	360	365	1200	3000	1.0	1.6	17.10	31.40
350	14"	350	410	415	1400	3500	0.8	1.6	20.00	36.30
400	16"	400	460	465	1600	3500	0.8	1.2	22.80	41.10



螺旋波纹软管

公称通径 mm	内径 in.	内径 mm	外径mm		最小弯曲半径mm		最高使用压力 (mpa)		重量 (kg/m)	
			本体	一层网套	静态	动态	1层网套	2层网套	本体	带一层网套
8	1/4"	8.0	11.0	12.5	45	160	6.4	10.0	0.08	0.18
10	3/8"	10.0	15.0	16.6	50	180	5.0	8.0	0.13	0.28
15	1/2"	13.5	18.0	20.0	20	300	3.5	5.0	0.20	0.40
20	3/4"	19.5	25.2	27.2	95	340	3.0	4.5	0.25	0.50
25	1"	25.2	32.5	34.2	100	400	2.5	4.0	0.38	0.75
32	1-1/4"	32.9	40.6	42.2	130	480	2.5	4.0	0.48	0.96
40	1-1/2"	39.0	47.6	50.2	200	600	2.5	4.0	0.70	1.00
50	2"	51.0	61.5	63.5	240	780	2.5	4.0	0.90	1.75

特氟龙翻接头及总成 Teflon Turn-over Joints and Assembly

· 特氟龙翻边总成，是特氟龙内管从接头内穿出，并经过热成型、翻边操作形成防腐密封面，翻边后的软管总成接头不接触介质，可以输送腐蚀性极强的化学介质，适用于食品医药、化学化工等大部分行业。

翻边总成接头主要有如下类型:

- 美标法兰
 - 国标法兰
 - Tc卡箍接头
 - CAMLOCK
 - BSP螺纹接头
- 工作温度: -60°C-150°C
工作压力: 16bar

■ PTFE flaring assembly, with the PTFE tube passing through the coupling and forming an anticorrosive sealing surface by hot forming and flaring operation. The PTFE lined coupling does not touch the medium. It can transport highly corrosive chemical medium. It is suitable for most industries such as food, medicine, chemical and chemical industry.

The main types of PTFE Lined couplings:

- US Standard flange
 - GB flange
 - TC clampa
 - CAMLOCK
 - BSP fittings
- Working temperature: -60°C to + 150°C
Working preessure: 16bar



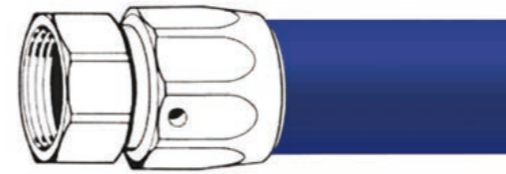
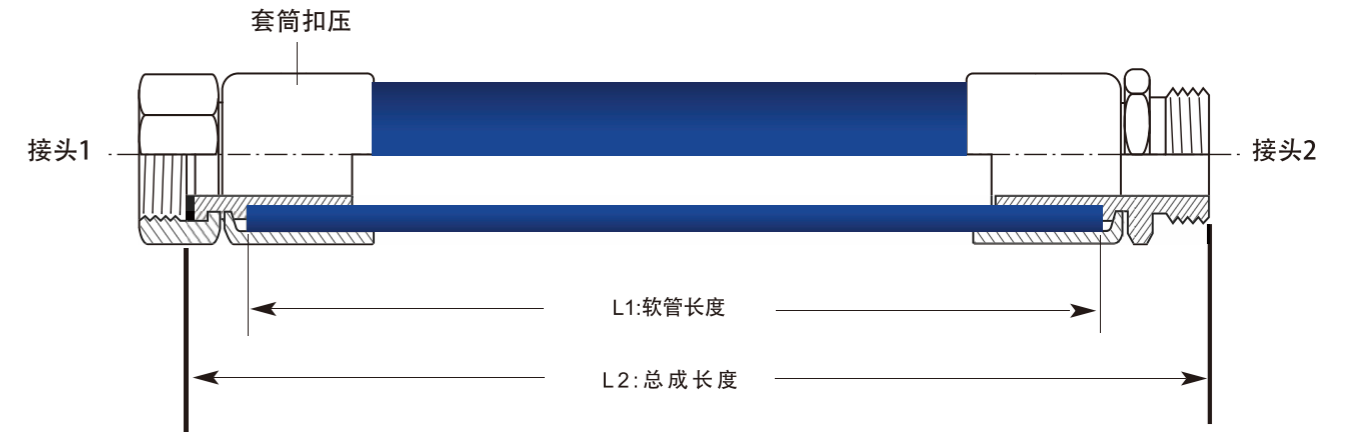
法兰翻边总成



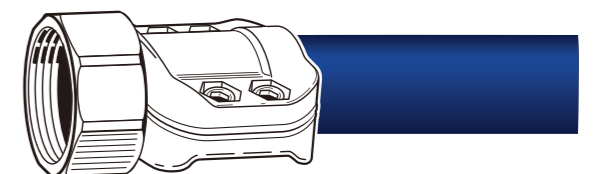
TC 接头翻边总成

软管总成 Hose Assembly

推荐：专业无滞留处理,确保无死角、易清洗



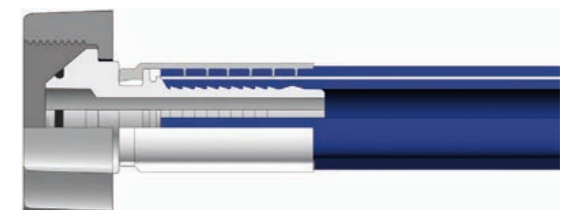
套筒扣压总成



安全卡箍总成



扎带总成



套筒扣压

专业清洗方案 Complete Cleaning Solution

随着工厂现场管理的不断规范化、专业化，对工厂环境和设备的清洁也有了更高的要求。为此，我们为客户推荐专业成套的清洗方案，以满足节能、环保、规范、高效的要求：

- 蒸汽-冷水混合器(实现蒸汽与热水的无损转换)
- 清洗水管(根据不同需求选择不同软管，提升效率)
- 卷轴(实现软管自动拉伸与收缩，规范现场)
- 水枪(可调档水枪，提升工作效率)



解决方案



日化品车间



糖果清洗车间



红酒灌装车间



制药车间

轻型不锈钢卷轴 Light Stainless Steel Spring Retractable Reels

轻型不锈钢卷轴—管内径为10、13、19mm

▪ 该卷轴是轻型的弹簧驱动卷轴，由不锈钢主轴和铜的旋转接头组成，广泛用于室内外可钻孔固定的平面上。底座和带有加强筋的支架由高品质加厚不锈钢冲压成型，高品质不锈钢组件，抗腐蚀性能强。底座设计为卡槽，更容易安装与调试，驱动弹簧大扭矩，使用寿命长。

Light Stainless Steel Spring Retractable Reels—air// Qi3/8", 1/2, 3/4" I.D

▪ Light Stainless Steel Spring Retractable Reels are composed of stainless steel shaft and the rotating joint of copper, widely used in indoor and outdoor drilling can be fixed on plane. Base with stiffener and more support by the high quality stainless steel stamping forming, the high quality stainless steel components have strong corrosion resistance. Base design for the card slot, more easy to install and debug, drive spring high torque, long service life



总重量 kg	最大压力 bar	软管内径 mm	软管外径 mm	软管出口in. NPT外螺纹	软管出口in. NPT外螺纹	软管长度 mtr	尺寸mm		
							长	宽	高
17	21	10	15	1/4	1/4	15	492	206	521
20	21	10	15	1/4	1/4	21	492	206	521
19	21	13	19	1/2	1/2	15	492	206	521
20	21	19	27	3/4	3/4	10	492	206	521

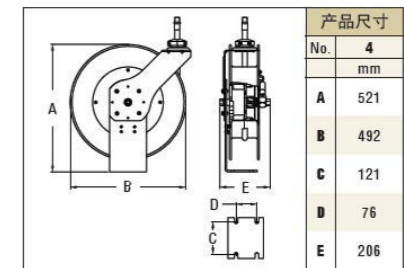
轻型碳钢卷轴 Light Steel Spring Retractable Reels

轻型碳钢卷轴—管内径为10、13、19mm

▪ 该卷轴是轻型的碳钢材质弹簧驱动卷轴，广泛用于室内外可钻孔固定的平面上，底座和带有加强筋的支架由高品质加厚碳钢冲压成型，单独喷涂碳钢组件，抗腐蚀性能强。导向臂提供八个方向可任意调节来满足不同需要。底座设计为卡槽，更容易安装与调试，驱动弹簧大扭矩，使用寿命长。

Light Steel Spring Retractable Reels—air/Water/Oil—3/8", 1/2", 3/4" I.D

▪ Light Steel Spring Retractable Reels are composed of steel shaft and the rotating joint of copper, widely used in indoor and outdoor drilling can be fixed on plane. Base with stiffener and more support by the high quality steel stamping forming, the high quality steel components have strong corrosion resistance. Base design for the card slot, more easy to install and debug, drive spring high torque, long service life



总重量 kg	最大压力 bar	软管内径 mm	软管外径 mm	软管出口in. NPT外螺纹	软管出口in. NPT外螺纹	软管长度 mtr	尺寸mm		
							长	宽	高
17	21	10	15	1/4	1/4	15	492	206	521
20	21	10	15	1/4	1/4	21	492	206	521
19	21	13	19	1/2	1/2	15	492	206	521
21	21	19	27	3/4	3/4	10	492	206	521

迷你水枪 "MINI" Spray Nozzles

- 新型迷你水枪重量轻、性能全。独特设计使得其重量只有标准带框水枪的一半重。其外壳设计经久耐用，而且有良好的隔热作用起到保护工人在做高温清洗时手不被烫伤的作用。产品重量轻，扳机力小，大幅度降低了工人在日常清洗工作中长时间使用情况下手的疲劳强度。
- 有多种喷射水形是这款迷你水枪的特点之一，从扇形到实心水柱都可任意调节。水枪具有自动关闭的功能，释放扳机后即刻停止出水。具有高效和节水的效应。
- 这款迷你水枪采用300系列不锈钢，重量为0.77磅(约0.35公斤)。

注意事项:

- 节能型(标准流量)水枪只需使用限流接头(可选)即可
- 额定值:150PSI/93°C不可用于蒸汽
- 不可用于蒸汽



- Mini"spray nozzle was specifically designed as an industrial "LIGHT-WEIGHT"spray nozzle with heavyweight performance. Its unique design allows the convenience of approximately half of the weight of its bigger brother, the high flow nozzle.
 - Its cover design is not only durable, but also protects the user from hot surfaces produced by high temperature washdown applications. The mini "reduces hand fatigue and offers smooth lever action
 - Variable spray patterns, adjustable from fan spray to solid stream, is one of the many features offered by the new "mini spray nozzle Water conservation is assured upon release of lever by the drip-free automatic shutoff feature"
 - Mini" spray nozzles are available in 300 Series Stainless Steel and weigh approximately 0.77 Lbs
- Note:**
- Standard flow rates can be achieved with the purchase of flow restrictor adapter.
 - Rating: 150PSI PS/93°C
 - NOT FOR USE WITH STEAM

推荐:万向接头



使用图片1



使用图片2

迷你水枪

型号	产品描述	
01-002S-DB	迷你型、300系列不锈钢水枪，深蓝色外壳	
01-002S-R	迷你型、300系列不锈钢水枪，红色外壳	
01-002S-W	迷你型、300系列不锈钢水枪，白色外壳	
	输入压力*(PSIG)	流量*(GPM)
标准流量	25	2.93
	50	3.86
	75	4.91
	100	5.78
	125	6.71
	150	7.19
	输入压力*(PSIG)	流量*(GPM)
大流量	25	4.39
	50	6.54
	75	8.18
	100	9.56
	125	10.83
	150	11.89

*仅供参考

标准带框水枪 Standard Spray Nozzles Frame

- 标准带框水枪专为防止水枪不慎坠地意外喷射热水保护工人安全生产而设计。独特的外壳设计经久耐用，而且能在水枪不慎坠地时防止前扳机打开造成意外喷射热水的工伤事故。不但工人使用更安全，而且水枪手柄外形设计符合人体工程学，手感非常舒适。
- 有多重喷射水形是这款水枪的特点之一，从扇形到实心水柱都可调节。该款水枪同时还有扳机锁定功能，能将水枪锁定在任何喷射水形，长时间使用能大幅度降低工人手的疲劳强度。水枪具有自动关闭的功能，释放扳机后即刻停止出水。具有高效和节水的效应。
- 这款水枪采用300系列不锈钢，重量为1.53磅(约0.69公斤)。

注意事项

- 节能型(标准流量)水枪只需使用限流接头(可选)即可
- 额定值:150PSI/93°C
- 最大工作压力:500PSI
- 不可用于蒸汽

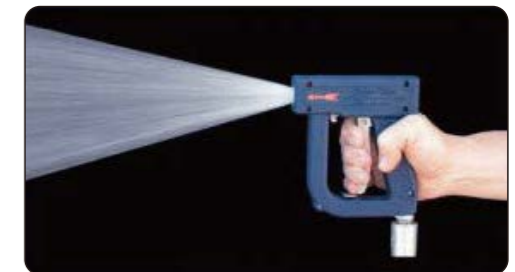


标准带框水枪

型号	产品描述	
01-002S-DB	高效性(大流量)300系列不锈钢水枪，深蓝色外壳	
01-002S-R	高效性(大流量)300系列水枪，红色外壳	
01-002S-W	高效性(大流量)300系列水枪，白色外壳	
	输入压力*(PSIG)	流量*(GPM)
标准流量	25	2.93
	50	3.86
	75	4.91
	100	5.78
	125	6.71
	150	7.19
	输入压力*(PSIG)	流量*(GPM)
大流量	25	4.39
	50	6.54
	75	8.18
	100	9.56
	125	10.83
	150	11.89

*仅供参考

- Spray nozzle was specifically designed to prevent accidental spray. Its unique cover design is not only durable, but also prevents the front mounted levers, which reduce hand fatigue and offer smooth lever action from being accidentally activated when the nozzle is dropped. The new Duraflow spray nozzles also come with a trigger locking mechanism for a safe and secure method of maintaining the nozzle open at any spray pattern
 - Variable spray patterns, adjustable from fan spray to solid stream, is one of the many features offered by the new spray nozzle Water conservation is assured upon release of lever by the drip-free automatic shutoff feature
 - Spray nozzles are available in 300 series stainless steel and weigh a total of 1.53 lbs
- Note:**
- Standard flow rates can be achieved with the purchase of flow restrictor adapter
 - Rating: 150 PSI/93°C
 - Maximum Tested Operating Pressure of 500 PSI
 - NOT FOR USE WITH STEAM



使用图片1



使用图片2

卫生级视镜 Sanitary Sight Glass

应用 Applications:

卫生级视镜是由不锈钢结构和特种玻璃组合而成。在食品加工乳制品、饮料、化妆品、制药和精细化工工业中，可以通过视镜清晰并且精确的观察到物料的流动与输送情况，具有非常广泛的应用。

优点 Advantages:

- 符合DIN标准、3A标准、SMS标准、ISO/IDF标准等生产标准
- 可根据客户要求选用两端连接方式
- 产品可无滞留处理
- 可增加视镜保护网结构
- 产品材料洁净度高、透明性好

技术参数 Technical Data:

- 标准有各种标准可提供，包括DIN标准系列、3A标准系列、ISO/IDF标准系列、BS/RJT标准系列、ASME/BPE标准系列等
- 接头形式:焊接式视镜、卡箍式视镜、螺纹式视镜等
- 材质:产品通过主体:SS304/SS316L;其他钢材料:SS304
- 视镜材料:钢化硼硅玻璃、钢化玻璃
- 密封件:EPDM、NBR、硅胶、PTFE等材质



带防护直通视镜



快装直通视镜



螺纹直通视镜

膨胀节 Expansion Joints

应用:

橡胶膨胀节一般是由两端带橡胶凸缘的光滑波形补偿元件与金属补法兰组成，广泛用于供水排水、循环水、暖通空调、消防、造纸属制医药、石油化工、船舶、水泵、压缩机、风机等管道系统。

优点:

橡胶膨胀节具有较大的位移补偿能力，可进行轴向、横向和角向位移的补偿，可有效降低噪音、减少震动膨胀节有多种不同橡胶材质可供选择适应于多种介质和环境，膨胀节密封性好，重量轻，安装维修方便，使用寿命长。

技术参数:

- 膨胀节长度:100/130/150/200/250/275/300/350/450mm
- 内径:DN25-DN3200mm
- 法兰标准:PN6/10/16.ANSI B16.5/150 LBS, etc
- 法兰材质:不锈钢/碳钢镀锌橡胶
- 材质:详见下表

认证:

- 97/23/CE, ISO 9001, ISO 14001, ABS, Germanischer Lloyd
- FDA

Application:

For all types of industrial applications, residential houses, industrial plants, industrial premises as well as heating and sanitary applications compensate for thermal elongation and misalignment. Isolate vibrations, dampen noise and pressure surges in connection with engines, pumps, turbines, etc.

Advantages:

A moulded rubber bellows that combines elastic properties of rubber with various types of reinforcement to provide a flexible pipe joint that is used to convey fluids and absorb movements between sections of pipeline. The rubber convolution allows them to absorb axial, lateral and angular movements. It is easy to install providing good performance and a long service life.

Technical description:

- Building length: 100/130/150/200/250/275/300/350/450mm
- Dimensions: DN25-DN3200MM
- Standard flanges: PN6/10/16, ANSI B16.5 150 LBS, etc
- Flange qualities: stainless steel/cremated steel
- Rubber material: see the table below

Standard/Approval:

- 97/23/CE ISO 9001, ISO 14001 ABS, Germanischer Lloyd
- FDA



产品编码	波纹管制材料		最大温度 ℃
	内层	外层	
红色	三元乙丙橡胶(EPDM)	三元乙丙橡胶(EPDM)	90
黄色	氯醚橡胶(ECO)	氯醚橡胶(ECO)	90
白色	丁腈橡胶(NBR)	氯醚橡胶(ECO)	90
绿色	氯磺化聚乙烯(CSM)	氯丁橡胶(CR)	90
蓝色	丁苯橡胶(SBR)	氯丁橡胶(CR)	90
双蓝色	天然橡胶(NR)	氯丁橡胶(CR)	90
黑色	三元乙丙橡胶(EPDM)	三元乙丙橡胶(EPDM)	80
双红色	三元乙丙橡胶(EPDM)	三元乙丙橡胶(EPDM)	130
双黄色	氢化丁腈橡胶(HNBR)	氢化丁腈橡胶(HNBR)	110
紫色	氟橡胶(PTFE)	橡胶	150

颜色标识	应用
红色	热水、含盐或者氯的冷却水溶液，酯类和酮类
黄色	水、盐溶液、碱、矿物油、植物油或动物油脂，油气溶胶，丁烷和丙烷等
白色	饮用水、食品、饮料以及脂肪和油类等，符合FDA食品级认证
绿色	强酸或者高浓度强酸等，压缩空气，油气溶胶
蓝色	耐磨性介质，如混凝土及石灰膏等
双蓝色	内衬耐化学性和耐磨性能好，砂浆，混凝土及石灰膏等
黑色	水、温水、海水、弱酸溶液和空气
双红色	温度高达130℃的热水、蒸汽、热风等
双黄色	油，油类混合水、油类混合加压空气等
紫色	高活性的化学物质

配件及零件 Parts and accessories



卫生级法兰



TC接头

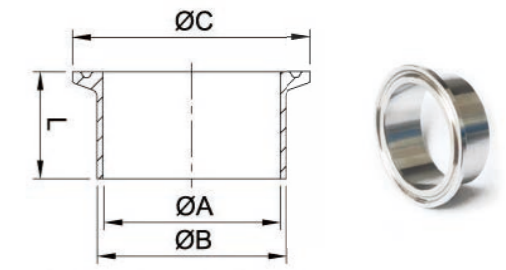
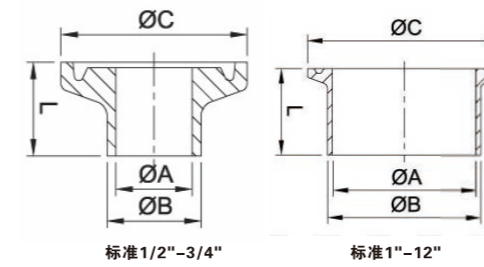


TC焊接端



TC卡箍

TC 快装接头 Tri-clamp Coupling



3A-卡盘焊接端

SIZE	ØA	ØB	ØC	L	L	L
1/2"	9.45	12.75	25.2	12.7	21.5	28.6
3/4"	15.75	19.05	25.2	12.7	21.5	28.6
1"	22.1	25.4	50.5	12.7	21.5	28.6
1-1/2"	34.8	38.1	50.5	12.7	21.5	28.6
2"	47.5	50.8	64	12.7	21.5	28.6
2-1/2"	60.2	63.5	77.5	12.7	21.5	28.6
3"	72.9	76.1	91	12.7	21.5	28.6
4"	97.38	101.6	119	15.8	21.5	28.6
6"	146.86	152.5	166.87		21.5	28.6
8"	197.66	203.3	217.67		21.5	28.6
10"	247.2	254.1	268.47		21.5	28.6
12"	298	304.8	319.27		21.5	28.6

DIN-卡 盘焊接端

SIZE	ØA	ØB	ØC	L	L
DN 10	9	12	34	21.5	28.6
DN 15	15	18	34	21.5	28.6
DN 20	19	22	34	21.5	28.6
DN 25	25	28	50.5	21.5	28.6
DN 32	31	34	50.5	21.5	28.6
DN 40	37	40	50.5	21.5	28.6
DN 50	49	52	64	21.5	28.6
DN 65	66	70	91	21.5	28.6
DN 80	81	85	106	21.5	28.6
DN 100	100	104	119	21.5	28.6
DN 125	125	129	155	21.5	28.6
DN 150	150	154	183	21.5	28.6
DN 200	200	200	233.5		28.6

SMS-卡盘焊接端

SIZE	ØA	ØB	ØC	L	L
1"	22.5	25	50.5	21.5	28.6
1-1/4"	29.5	32	50.5	21.5	28.6
1-1/2"	35.5	38	50.5	21.5	28.6
2"	48.5	51	64	21.5	28.6
2-1/2"	60.5	63.5	77.5	21.5	28.6
3"	72.9	76.1	91	21.5	28.6
4"	97.6	101.6	119	21.5	28.6

卡盘软管接头

SIZE	ØA	ØB	ØC
1/2"	25.2/34	13	62
3/4"	25.2/34	19	62
1"	50.5	25	67
1-1/2"	50.5	32	69
1-1/4"	50.5	38	69
2"	64	50	77.5
2-1/2"	77.5	63	93.5
3"	91	76	107.5
4"	119	102	117.5

BPE抛光度 接头内壁粗糙度Ra<0.6µm,可根据要求提供粗糙度Ra<0.4µm的接头

内抛光等级	机械抛光	表面要求	Ra Max		机械抛光 机加电抛光	表面要求	Ra Max	
			µ-in	µ-m			µ-in	µ-m
		SF 0	无要求	无要求		SF 4	15	0.38
		SF 1	20	0.51		SF 5	20	0.51
		SF 2	25	0.64		SF 6	25	0.64
		SF 3	30	0.76				



SMS母头



SMS公头



SMS焊接端



DIN母头



DIN公头



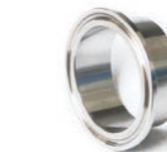
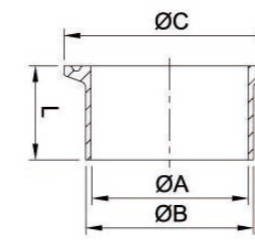
DIN焊接端



罐车接头



真空KF法兰



CAMLOCK-A



CAMLOCK-B



CAMLOCK-C



CAMLOCK-D



CAMLOCK-DC



CAMLOCK-DP

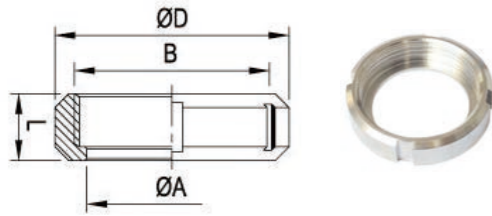


CAMLOCK-E



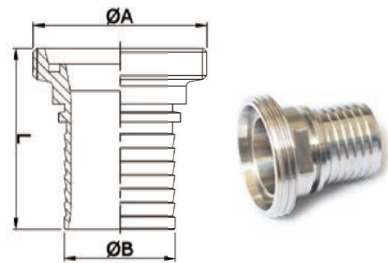
CAMLOCK-F

DIN食品级活接 DIN Coupling



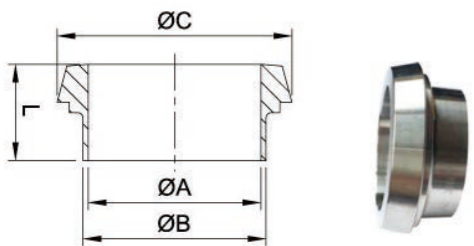
DIN 螺母

SIZE	ØA	ØB	ØC	L
DN 10	19	RD28X1/8	38	18
DN 15	25	RD34X1/8	44	18
DN 20	31	RD44X1/6	54	21
DN 25	36	RD52X1/6	63	21
DN 32	42	RD58X1/6	70	21
DN 40	49	RD65X1/6	78	21
DN 50	62	RD78X1/6	92	22
DN 65	80	RD95X1/6	112	25
DN 80	94	RD110X1/4	127	30
DN 100	115	RD130X1/4	148	31
DN 125	138	RD160X1/4	178	35
DN 150	164	RD190X1/4	210	40



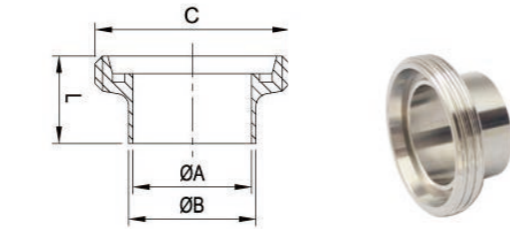
DIN 公头

SIZE	ØA	ØB	L
DN 20	RD44X1/6	19	64
DN 25	RD52X1/6	25	73
DN 38	RD65X1/6	38	74
DN 50	RD78X1/6	50	80.5
DN 65	RD95X1/6	63	106.5
DN 80	RD110X1/4	76	118.5
DN 100	RD130X1/4	102	128.5



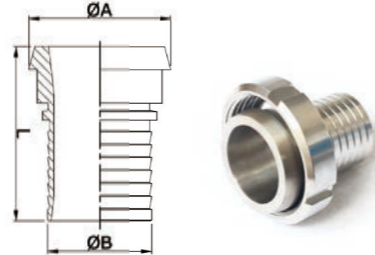
DIN 母头焊接端

SIZE	ØA	ØB	ØD	L
DN 10	9	12	RD28X1/8	21
DN 15	15	18	RD34X1/8	21
DN 20	19	22	RD44X1/6	24
DN 25	25	28	RD52X1/6	29
DN 32	31	34	RD58X1/6	32
DN 40	37	40	RD65X1/6	33
DN 50	49	52	RD78X1/6	35
DN 65	66	70	RD95X1/6	40
DN 80	81	85	RD110X1/4	45
DN 100	100	104	RD130X1/4	54
DN 125	125	129	RD160X1/4	46
DN 150	150	154	RD190X1/4	50



DIN 公头焊接端

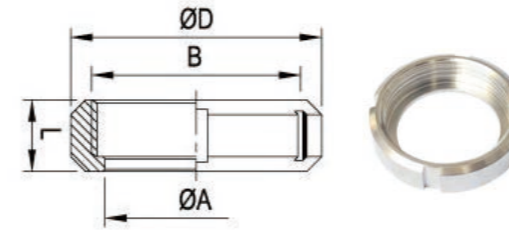
SIZE	ØA	ØB	ØC	L
DN 10	9	12	22.2	17
DN 15	15	18	28.2	17
DN 20	19	22	36.3	18
DN 25	25	28	44	22
DN 32	31	34	50	25
DN 40	37	40	56	26
DN 50	49	52	68	28
DN 65	66	70	76	30
DN 80	81	85	86	32
DN 100	100	104	121	44
DN 125	125	129	150	34
DN 150	150	154	176	37



DIN 母头

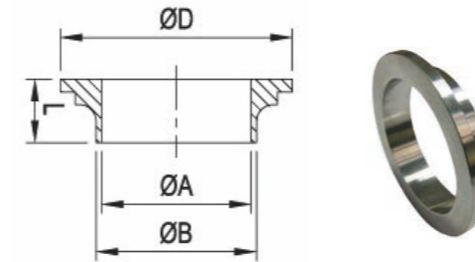
SIZE	ØA	ØB	L
DN 20	36.5	19	61
DN 25	44	25	66
DN 38	56	38	69
DN 50	68	50	82.5
DN 65	86	63	100.5
DN 80	100	76	108.5
DN 100	121	102	124.5

SMS食品级活接 SMS Coupling



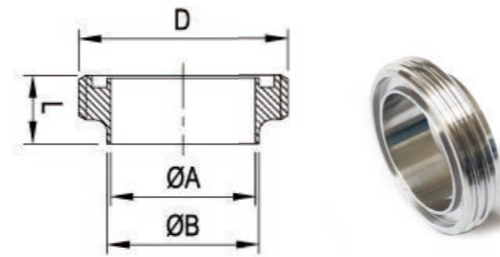
SMS 螺母

SIZE	ØA	ØB	ØD	L
1"	32	RD40X1/6	51	19
1-1/2"	48	RD60X1/6	74	23
2"	60.5	RD70X1/6	84	24
2-1/2"	74	RD85X1/6	100	28
3"	87	RD98X1/6	114	30
4"	113	RD125X1/6	138	31



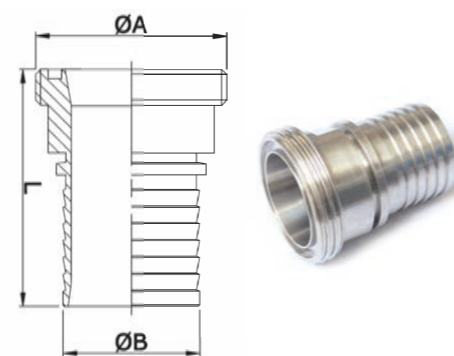
SMS母头焊接端

SIZE	ØA	ØB	ØD	L
1"	22.5	25	35.5	15.5
1-1/2"	35.5	38	55	16.0
2"	48.5	51	65	17.0
2-1/2"	60.5	63.5	80	17.0
3"	72.9	76.1	93	19.0
4"	97.6	101.6	118	19.0



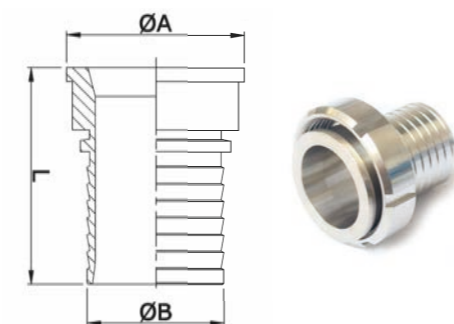
SMS公头焊接端

SIZE	ØA	ØB	ØD	L
1"	22.5	25	RD40X1/6	19
1-1/2"	35.5	38	RD60X1/6	23
2"	48.5	51	RD70X1/6	23
2-1/2"	60.5	63.5	RD85X1/6	27
3"	72.9	76.1	RD98X1/6	27
4"	97.6	101.6	RD125X1/4	30



SMS公头

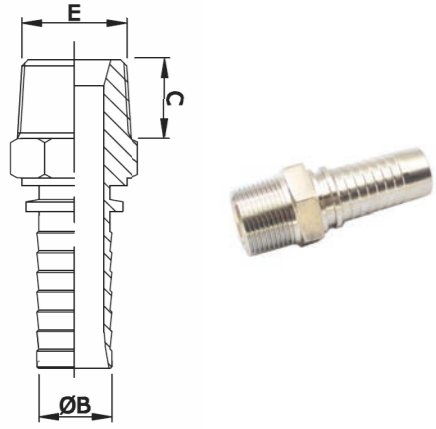
SIZE	ØA	ØB	L
1"	RD40X1/6	25	69
1-1/2"	RD60X1/6	38	74
2"	RD70X1/6	50	89.5
2-1/2"	RD85X1/6	63	102.5
3"	RD98X1/6	76	123.5
4"	RD125X1/4	102	128.5



SMS母头

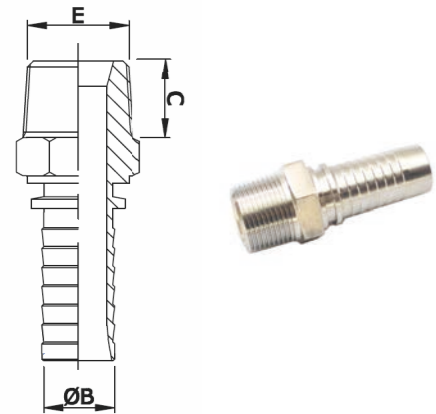
SIZE	ØA	ØB	L
1"	35.5	25	69
1-1/2"	55	38	73
2"	65	50	76.5
2-1/2"	80	63	99.5
3"	93	76	103.5
4"	118	102	123.5

外螺纹接头 Male Fitting



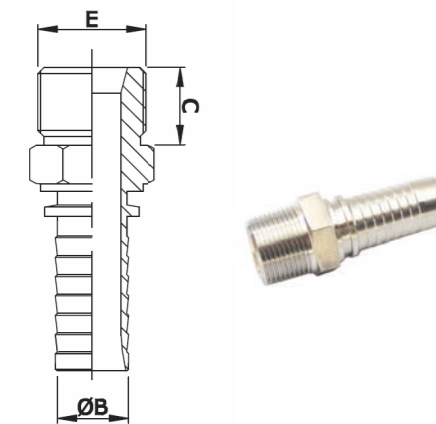
NPT 外丝接头

SIZE	E	ØB	C
1/4"	Z1/4"X18	6.4	15
3/8"	Z3/8"X18	9.5	16
1/2"	Z1/2"X14	13	19.5
3/4"	Z3/4"X14	19	19.5
1.0"	Z1"X11.5	25	25.5
1.25"	Z1.25"X11.5	32	26.5
1.5"	Z1.5"X11.5	38	27.5
2.0"	Z2"X11.5	50	27.5
2.5"	Z2.1/2"X8	63	30
3.0"	Z3"X8	76	35
4.0"	Z4"X8	102	40



BSPT 外丝接头

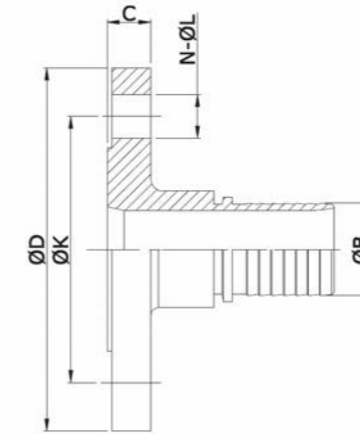
SIZE	E	ØB	C
1/4"	R1/4"X19	6.4	14.5
3/8"	R3/8"X19	9.5	15
1/2"	R1/2"X14	13	20
3/4"	R3/4"X14	19	20
1.0"	R1"X11	25	25.5
1.25"	R1.25"X11	32	26.5
1.5"	R1.5"X11	38	26.5
2.0"	R2"X11	50	30
2.5"	R2.1/2"X11	63	30
3.0"	R3"X11	76	35
4.0"	R4"X11	102	40



BSPP 外丝接头

SIZE	E	ØB	C
1/4"	G1/4"X19	6.4	12
3/8"	G3/8"X19	9.5	13.5
1/2"	G1/2"X14	13	16
5/8"	G5/8"X14	16	17.5
3/4"	G3/4"X14	19	18.5
1.0"	G1"X11	25	20.5
1.25"	G1.25"X11	32	20.5
1.5"	G1.5"X11	38	23
2.0"	G2"X11	50	25.5
2.5"	G2.1/2"X11	63	30
3.0"	G3"X11	76	35
4.0"	G4"X11	102	40

国标法兰接头 GB flange fitting



国标与欧标EN1092,英标BS4504,德标DIN 2501法兰标准一致
国标PN6

SIZE	ØD	ØK	ØL	N	C	ØB
15	80	55	11	4	12	13
20	90	65	11	4	14	19
25	100	75	11	4	14	25
32	120	90	14	4	16	32
40	130	100	14	4	16	38
50	140	110	14	4	16	50
65	160	130	14	4	16	63
80	190	150	18	4	18	76
100	210	170	18	4	18	102

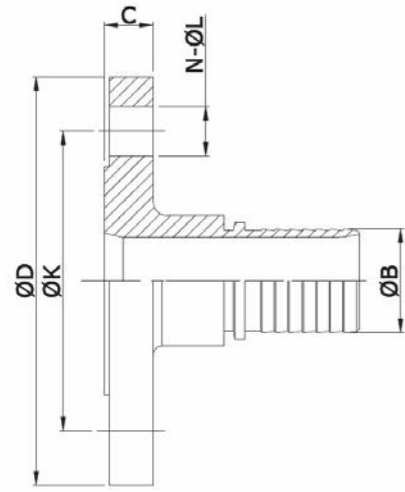
国标PN10/PN16

SIZE	ØD	ØK	ØL	N	C	ØB
15	95	65	14	4	14	13
20	105	75	14	4	16	19
25	115	85	14	4	16	25
32	140	100	18	4	18	32
40	150	110	18	4	18	38
50	165	125	18	4	20	50
65	185	145	18	4	20	63
80	200	160	18	8	20	76
100	220	180	18	8	22	102

国标PN25

SIZE	ØD	ØK	ØL	N	C	ØB
15	95	65	14	4	14	13
20	105	75	14	4	16	19
25	115	85	14	4	16	25
32	140	100	18	4	18	32
40	150	110	18	4	18	38
50	165	125	18	4	20	50
65	185	145	18	8	22	63
80	200	160	18	8	24	76
100	235	190	22	8	26	102

美标法兰接头 ASME Flange Fitting



美标150LBS

SIZE	ØD	ØK	ØL	N	C	ØB
1/2"	88.90	60.45	15.70	4	11.20	13
3/4"	98.60	69.85	15.70	4	12.70	19
1.0"	108.0	79.25	15.70	4	14.20	25
1.25"	117.3	88.90	15.70	4	15.70	32
1.5"	127.0	98.60	15.70	4	17.50	38
2.0"	152.4	120.7	19.10	4	19.10	50
2.5"	177.8	139.7	19.10	4	22.40	63
3.0"	190.5	152.4	19.10	4	23.90	76
4.0"	228.6	190.5	19.10	8	23.90	102

美标300LBS

SIZE	ØD	ØK	ØL	N	C	ØB
1/2"	95.2	66.55	15.70	4	14.2	13
3/4"	117.3	82.50	19.00	4	15.7	19
1.0"	123.9	88.90	19.00	4	17.5	25
1.25"	133.3	98.60	19.00	4	19.0	32
1.5"	155.4	114.3	22.30	4	20.6	38
2.0"	165.1	127.0	19.00	8	22.3	50
2.5"	190.5	149.4	22.30	8	25.4	63
3.0"	209.5	168.1	22.30	8	28.4	76
4.0"	254	200.1	22.30	8	31.7	102

软管使用规范 Specification for hose use

为确保安全使用，发挥胶管的最大使用性能，请仔细阅读使用说明书并遵守使用说明书中的注意事项，如果不能遵守这些注意事项可能会导致胶管损坏及安全事故等情况的发生。

使用篇

- 使用前请务必确认胶管外观有无异常，如有异常请立即隔离并与相关技术人员确认
- 胶管使用时最大压力(包括瞬时压力)不得超过该产品规定的最大工作压力，超过最大压力会降低胶管的使用寿命甚至发生爆管，造成安全事故
- 胶管使用时最高温度(包括环境温度)不得超过该产品规定的最高工作温度，超过最高温度会造成胶管的老化、开裂，温度过高胶管的承压能力也会随之降低，造成软管的使用寿命缩短，甚至爆管
- 所输送介质必须与该产品化学兼容，否则会造成胶管腐蚀等情况的发生，降低胶管使用寿命
- 请勿在胶管最小弯曲半径以下弯曲使用，也不要强行扭曲、弯折胶管后使用;为了确保管头配件的正常使用，弯曲处距离配件务必大于2倍胶管外径
- 请勿在锋利或者具有较大摩擦的表面上拖拽，不能扭结或者压扁

储存篇

- 橡胶管储存，尤其长期储存期间，当暴露在某些因素下时，胶管的物理性能会发生变化，这些变化可能会导致胶管不再具有最佳使用性能，储存时应对接管做最佳保护，并遵循先进先出的原则最佳储存温度应在0℃-35℃之间，最好在15℃左右，储存期间最高不能超过50℃和低于-30℃
- 产品应在远离强光和紫外线的暗处储存
请勿与对产品有伤害的物料相接触储存，尤其是一些酸、油脂溶剂等
- 产品不应储存在与热源很近的地方，长时间会造成橡胶的老化降低软管的寿命
- 储存区附近不应有可产生电场或磁场的设备，因为电磁场的变化或波动会在金属内产生电流从而生热
- 请勿让产品承受过量的压力，避免与锋利、带尖或腐蚀性物体表面接触，应尽可能架置储存
- 盘卷的胶管应平放储存，当堆放不可避免时，堆放的高度应限制在底部产品不产生永久变形的程度
- 产品应避免受到啮齿类动物的侵害，如果有此危险应给予足够的保护

清洗篇

- 用在食品医药精细化工行业初次使用前务必清洗胶管内部，使用70℃-80℃的热水至少清洗12小时
- 橡胶管CIP清洗条件(推荐):
 - ★ 最高90℃热水清洗
 - ★ 130℃饱和蒸汽不超过30min
 - ★ 1%-2%硝酸溶液在60℃-80℃
 - ★ 1%-3%氢氧化钠溶液在60℃-80℃

组装篇

- 金属零部件(接头)
 - 1、请选择适合胶管尺寸的胶管接头
 - 2、将接头的管尾部分插入胶管时，在胶管和管尾部涂上油类，请勿用火烤。如无法插入时，可用热水加热胶管后插入接头
 - 3、请将接头的锯齿管尾部分完全插入胶管内
 - 4、请勿使用一次可推入的接头，可能会造成胶管破裂
- 其它
 - 1、请避免使用铁丝过度的结扎，请选择专用的套筒或扎带
 - 2、请避免使用有伤痕的或生锈的接头

安全篇

- 在特定的条件下，操作员要穿戴安全防护服，包括手套，橡胶靴，很长的防护服，护眼罩，这些装备主要是用来保护操作员的安全
- 确保工作区要安全有序
- 检查每条管子上的接头是否牢固
- 不使用时，不要使管子处在耐压状态。关闭压力能够延长管子的使用寿命



隔膜阀/球阀

DIAPHRAGM VALVE / BALL VALVE



齐力流体与世界同步
Qili Fluid Keep Pace With The World



隔膜设计 DIAPHRAGM DESIGN

隔膜有软性人造橡胶(EPDM)和硬性人造橡胶(TFM)可供选择。硬性人造橡胶由软性人造橡胶支撑。2片式设计允许两片人造橡胶各自独立地工作,这样可减少因不同的热属性而引起的张紧。

每种应用有不同的工作条件,因此对隔膜也有不同的要求。为选出最适合您的应用之隔膜,需考虑以下因素:工作压力、应用温度、工艺流体。

软性人造橡胶(EPDM)适用于大多数应用,并适用于工作温度较高的应用,软性人造橡胶隔膜的典型特点是其对于机械污染介质的适用性。

The diaphragm has soft artificial rubber (EPDM) and hard artificial rubber (TFM) for chosen. Rigid artificial rubber is supported by soft rubber. 2 chip design allows two pieces of artificial rubber to work independently, so that it can reduce the tension caused by different thermal properties.

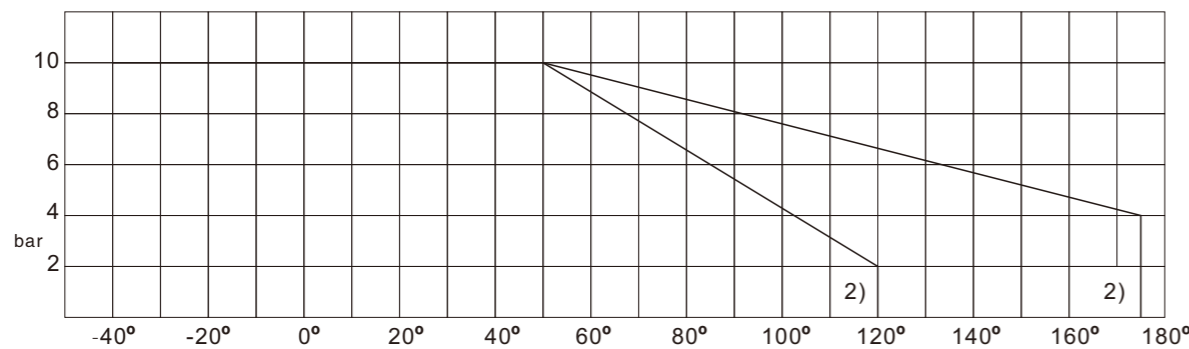
Each application has a different working condition, so the diaphragm also has different requirements. In order to select the most suitable for your application of the diaphragm, the following factors should be considered: working pressure, application temperature, process fluid. Soft synthetic rubber (EPDM) is suitable for most applications, and it is suitable for the application of higher operating temperature. The typical characteristic of soft artificial rubber diaphragm is its applicability to mechanical pollution medium.



特征	EPDM	EPDM+TFM
温度范围	-40°C -130°C	-5°C -160°C
耐酸性	好	极好
耐碱性	极好	极好
耐汽油性	一般	较好
耐颗粒	较好	一般

Standard	EPDM-TFM	EPDM
DN 15		C1415014TE000015WH
DN 20	C1415006TF000015WH C1415003EP000015BL	C1415004EP000015BL
DN 25	C1415006TF000040WH C1415003EP000040BL	C1415004E9000025BL
DN 40	C1415006TF000050WH C1415003EP000050BL	C1415004EP000040BL
DN 65/80		C1415004SI000080RE

建议的压力-温度



1) 仅限执行装置DN65/80

2) 除C/C手柄以外所有其他执行装置手柄

G型隔膜阀系列 G-type diaphragm valve series

阀体的标准材质是1.4435/316L不锈钢,符合ASME BPE标准和EN10204检测证书3.1的要求/材质检测报告。所有阀体上都打印一个钢印炉号,通过该号码,可以追溯阀体材质的特性以及其物理成分构成。

阀体的内部轮廓与介质的接触面都是经过特别设计的,符合GMP规范的要求。最佳的自清洁能力和无死区设计。消除了残液的存留空间。提高了隔膜的使用寿命。

铸造阀体

铸造不锈钢阀体是由模铸而成的,用最终成品阀体的形状做成的石蜡模具,就可生产出与其一模一样的产品。通过把阀体蜡模浸入在陶瓷里,达到让整个阀体蜡模表面覆盖一层坚固的陶瓷。

溶化掉陶瓷腔内的阀体蜡模后,再注入熔化的不锈钢溶液,冷却后,敲掉外表覆的陶瓷,毛坯阀体就形成了。

铸造阀体尺寸非常精确。外表面相当光滑。整洁。

为了获得高质量的铸件,产品模具都是经过特别设计和最佳处理的。

考虑到材料结构和密度问题,QL的阀体都是按照详细测试数据要求,经过严格检查的,确保了产品质量的高可靠性。

阀体分类	接口尺寸	制造工艺
两通阀体	6~100mm、1/8~4" 6~100mm、1/8~4"	锻造 锻造
多通道阀体	20~65mm/3/4~2"	整块钢机加工
多通道阀体	20~65mm/3/4~2"	整块钢机加工

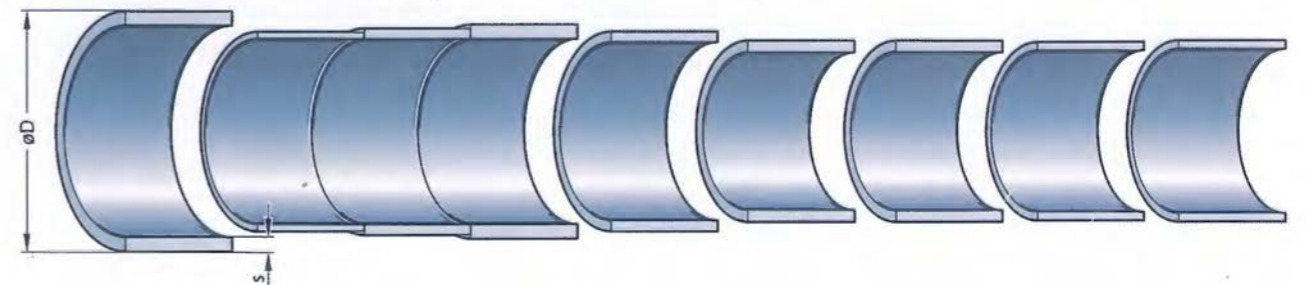
化学成分, 主要元素, 标准制造

元素	1.4435	316L-ASME BPE
	Wt. %	Wt. %
碳 (max)	0.030	0.035
铬	17.00~19.00	16.00~18.00
锰	2.00	2.00
钼	2.50~3.00	2.00~3.00
镍	12.50	10.00~15.00
磷 (max)	15.0	1.045
硅 (max)	0.045	1.00
硫 (max)	1.00	
硫	0.030	1005~0.017

管道接口标准

下表为:以DN25为例的不同国籍标准卫生级不锈钢管道的直径

ISO	DID11850	DIN	ASTM269	BS O.D.	SMS 3008	JIS G
(DIN 11866 系列 B)	系列1 系列2 系列3 (DIN 11866 系列 A)	选择 系列	ASTM 269	ASME BPE (DIN 11866 系列 C)	4825	3447



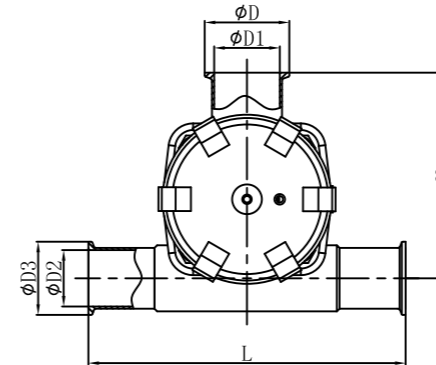
T型隔膜阀 T TYPE DIAPHRAGM VALVE

- > 工作压力: 0-10bar
- > 工作温度: -40 ~ 150°C
- > 驱动机构: 手动控制
- > 密封材质: EPDM, EPDM+TFM
- > 阀体设计: 零死角设计
- > 阀体材质: 316L(铸造, EN1.4409 CF3M)
- 接口尺寸: 主通道(DN1)DN25-DN65
- 出料口(DN2)DN15-DN40
- > 接口方式: 焊式, 卡式
- > 表面处理: 外表面Ra ≤ 5um(SF1),
内表面Ra ≤ 0.375um(SF4)
- > 接口标准: ISO, DIN, ASME BPE.3A, BS

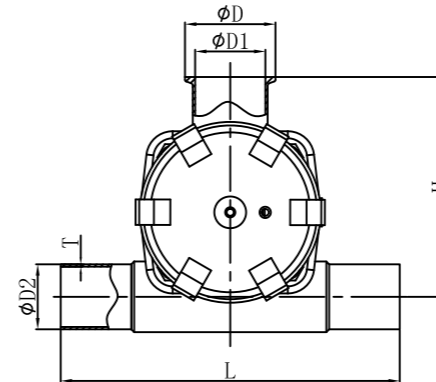


- > Working pressure: 0-10bar
- > Working temperature: -40-150°C
- > Drive mechanism: manual control
- > Seal material: EPDM+TFM, EPDM
- > Body design: Zero dead angle design
- > Body material, 316L(casting, CF3M EN1.4409)
- > Interface size: main channel(DN1)DN25-DN65
- Discharge port (DN2) DN15-DN40
- > Interface mode: Welding, Card
- > Surface treatment: the outer surface of Ra is less than or equal to 0.5m(SF1),
The inner surface of Ra is less than or equal to 0.375m (SF4)
- > Interface standard: ISO, DIN, BPE.3A BS, ASME

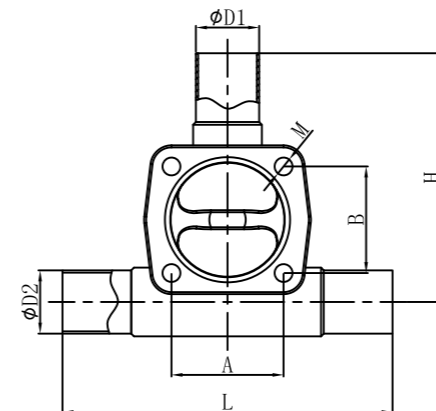
T型隔膜阀 T TYPE DIAPHRAGM VALVE



Size	D1	D2	A	B	H	L	M
DN20-15	9.5	15.8	22	22	63	127	M4
DN25-20	15.8	22.1	54	46	97	127	M6
DN25-25	22.1	22.1	54	46	101	127	M8
DN40-20	15.8	34.8	54	46	104	146	M6
DN40-25	22.1	34.8	54	46	110	146	M8
DN40-32	28.5	34.8	70	65	130	159	M10
DN40-40	34.8	34.8	70	65	140	159	M10
DN50-20	15.8	15.8	54	45	115	146	M6
DN50-25	22.1	22.1	54	45	118	146	M8
DN50-32	28.5	28.5	70	65	138	159	M10
DN50-40	34.5	34.8	70	65	145	159	M10
DN50-50	47.5	47.5	82	78	155	190	M12
DN65-20	15.8	15.8	54	45	114	146	M6
DN65-25	22.1	22.1	54	45	114	146	M8
DN65-40	34.8	34.8	70	65	136	168	M10

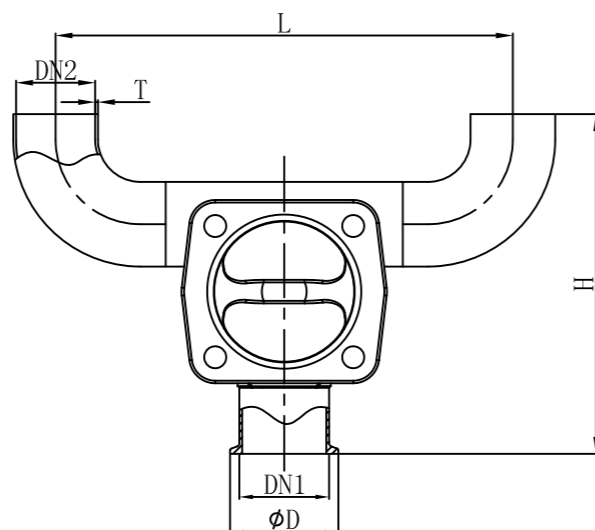


Size	D	D1	D2	H	L	M	T
DN20-15	50.5	9.5	15.8	63	63	127	2
DN25-20	50.5	15.8	22.1	97	97	127	2
DN25-25	50.5	22.1	22.1	101	101	127	2
DN40-20	50.5	15.8	34.8	104	104	146	2
DN40-25	50.5	22.1	34.8	110	110	146	2
DN40-32	50.5	28.5	34.8	130	130	159	2
DN40-40	50.5	34.8	34.8	140	140	159	2
DN50-20	50.5	15.8	47.5	115	115	146	2
DN50-25	50.5	22.1	47.5	118	118	146	2
DN50-32	50.5	28.5	47.5	136	138	159	2
DN50-40	50.5	34.8	47.5	145	145	159	2
DN50-50	64.0	47.5	47.5	155	155	190	2
DN65-20	77.5	15.8	15.8	114	114	146	2
DN65-25	77.5	22.1	22.1	114	114	146	2
DN65-40	77.5	34.8	34.8	116	136	168	2



Size	D	D1	D2	D3	H	L
DN20-15	50.5	9.5	15.8	50.5	63	127
DN25-20	50.5	15.8	22.1	50.5	97	127
DN25-25	50.5	22.1	22.1	50.5	101	127
DN40-20	50.5	15.8	34.8	50.5	104	146
DN40-25	50.5	22.1	34.8	50.5	110	146
DN40-32	50.5	28.5	34.8	50.5	130	159
DN40-40	50.5	34.8	34.8	50.5	140	159
DN50-20	50.5	15.8	47.5	50.5	115	146
DN50-25	50.5	22.1	47.5	50.5	118	146
DN50-32	50.5	28.5	47.5	50.5	136	159
DN50-40	50.5	34.8	47.5	50.5	145	159
DN50-50	64.0	47.5	47.5	64.0	155	190
DN65-20	77.5	15.8	15.8	77.5	114	146
DN65-25	77.5	22.1	22.1	77.5	114	146
DN65-40	77.5	34.8	34.8	77.5	136	168

U型隔膜阀 UTYPE DIAPHRAGM VALVE



Size	D	D1	D2	H	L	T
DN20-15	50.5	9.5	15.8	120.2	110.2	1.65
DN25-20	50.5	15.8	22.1	163.7	166.2	1.65
DN25-25	50.5	22.1	22.1	167.7	166.2	1.65
DN40-20	50.5	15.8	34.8	189.8	204.4	1.65
DN40-25	50.5	22.1	34.8	195.8	204.4	1.65
DN40-32	50.5	28.5	34.8	215.8	229.4	1.65
DN40-40	50.5	34.8	34.8	225.8	229.4	1.65
DN50-20	50.5	15.8	47.5	219.8	229.4	1.65
DN50-25	50.5	22.1	47.5	222.8	242.4	1.65
DN50-32	50.5	28.5	47.5	240.8	267.4	1.65
DN50-40	50.5	34.8	47.5	249.8	267.4	1.65
DN50-50	64.5	47.5	47.5	259.8	282.4	1.65
DN65-20	50.5	15.8	15.8	237.9	280.6	1.65
DN65-25	50.5	22.1	22.1	237.9	280.6	1.65
DN65-40	50.5	34.8	34.8	259.9	310.6	1.65

U型隔膜阀 U TYPE DIAPHRAGM VALVE

工作压力: 0-10bar

工作温度: -40~150℃

驱动机构: 手动控制

密封材质: EPDM, EPDM+TFM

阀体设计: 三通阀体设计(带直部弯头)设计

阀体材质: 316L(铸造, EN1.4409 CF3M)

接口尺寸: 主通道(DN1)DN25-DN65,

出料口(DN2)DN15-DN50

接口方式: 焊式

表面处理: 外表面Ra≤0.5um(SF1)

内表面Ra≤0.375um(SF4)

接口标准: ISO.DIN, ASME BPE.3A, BS

Working pressure: 0-10bar

Working temperature: -40~150℃

Drive mechanism: manual control

Seal material: EPDM+TFM. EPDM

Body design: three valve body design (with straight elbow) design

Body material: 316L(casting, CF3M EN1.4409)

Interface size: main channel(DN1)DN25-DN65, DN15-DN50(DN2)

Interface mod: Welding

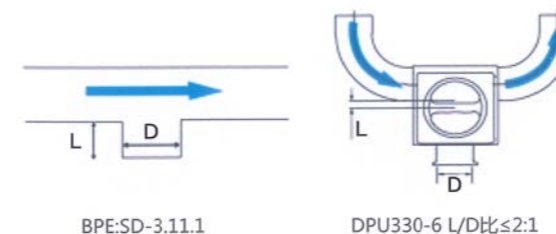
Surface treatment: the outer surface of Ra is less than or equal to 0.5 m(SF1)

The inner surface of Ra is less than or equal to 0.375 m(SF4)

Interface standard: ISO. DIN. BPE 3A BS. ASME



尺寸表	DN 1	DN 2(出料口)				
		DN 15	DN 20	DN 25	DN 40	DN 50
	DN 25	○	○	○		
	DN 40	○	○	○	○	
	DN 50	○	○	○	○	
	DN 65	○	○	○	○	○
	DN 80	○	○	○	○	



避免U型三通支管直通隔膜阀堰之间的滞留, 减少焊缝数, 提高接触表面(MOC)的光洁度, 具有最小长度的水平管路。
基于 SAME BPE 2005:SD-3.11.1 无菌设计规范, L/D 比: 2:1, 消除因出料口产生的流体滞留区, 造成细菌滋生的隐患, 确保循环回路绝对安全。

To avoiding a U-shaped three-way pipe welding straight through diaphragm valve weir partition retention, reduce the number of welding, improve finish of contact surface (MOC), with a minimum length of horizontal pipeline.

Based on the same BPE 2005: SD-3. 11. 1 aseptic design specification for L/D ratio is less than or equal to 2: 1, eliminate due to a material inlet fluid retention area, causing bacteria risks to ensure the absolute safety of loop.

U型隔膜阀 U TYPE DIAPHRAGM VALVE

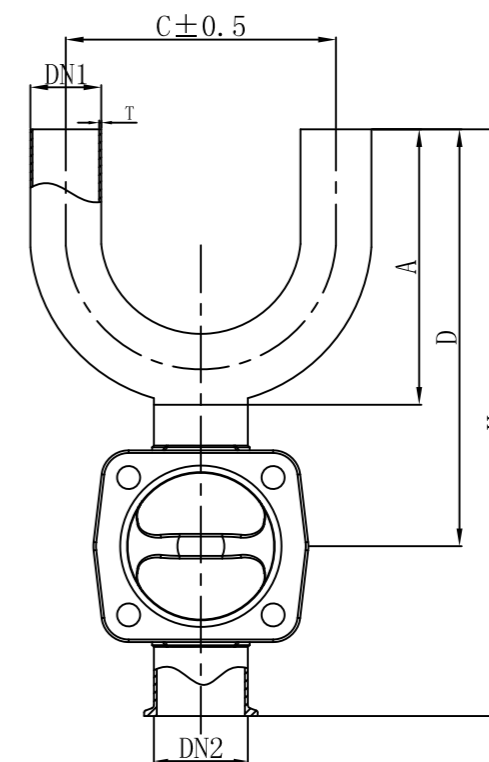
工作压力:0-10bar
 工作温度:-40~150℃
 驱动机构:手动控制
 密封材质:EPDM, EPDM+TFM
 阀体设计:U型弯焊
 阀体材质:316L(铸造, EN1.4409 CF3M)
 接口尺寸:主通道(DN1)DN25-DN80
 出料口(DN2)DN15-DN50
 接口方式:焊式
 表面处理:外表面 $Ra \leq 0.5\mu m$ (SF1)
 内表面 $Ra \leq 0.375\mu m$ (SF4)
 接口标准: ISO, DIN, ASME BPE.3A, BS



Working pressure: 0-10bar
 Working temperature: -40-150℃
 Drive mechanism: manual control
 Seal material: EPDM+TFM. EPDM
 Body design: U type bending welding
 Body material: 316L(casting, CF3M EN1.4409)
 Interface size: main channel(DN1)DN25-DN80
 Discharge port(DN2)DN15-DN50
 Interface mode: Welding
 Surface treatment: the outer surface of Ra is less than or equal to 0.5 m (SF1),
 The inner surface of Ra is less than or equal to 0.375 m(SF4)
 Interface standard: ISO, DIN, BPE.3A BS, ASME

DN 1	DN 2				
	DN 15	DN 20	DN 25	DN 40	DN 50
DN 25	○	○	○		
DN 40	○	○	○	○	
DN 50	○	○	○	○	○
DN 65	○	○	○	○	○
DN 80	○	○	○	○	○

U型隔膜阀 U TYPE DIAPHRAGM VALVE

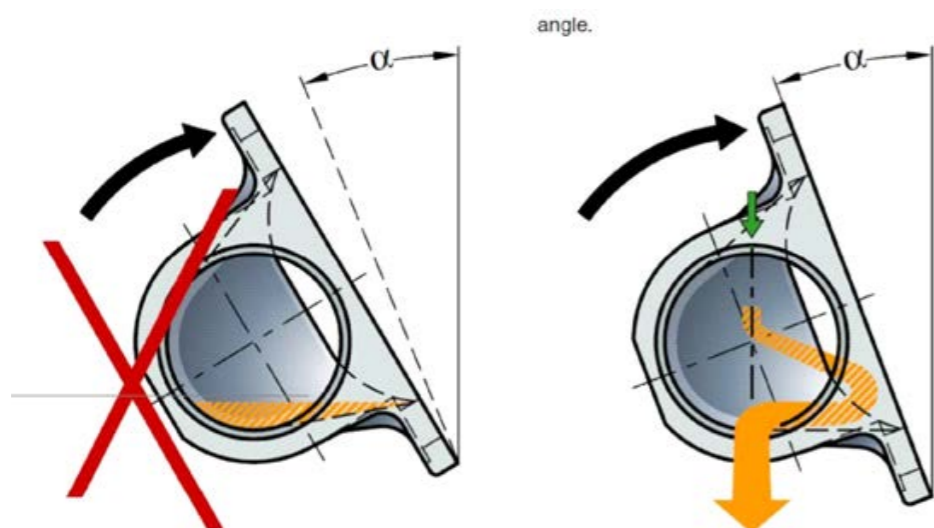


Size	A	C	D	H	T
DN20-15	86.2	114.4	108.2	139.7	1.6
DN25-20	86.2	114.4	117.7	168.5	1.6
DN25-25	89.4	114.4	130.4	171.7	1.2
DN40-20	89.4	152.4	138.9	198.9	1.2
DN40-25	135.6	152.4	157.6	189.1	1.2
DN40-32	135.6	152.4	167.1	217.9	1.2
DN40-40	135.6	152.4	185.5	245.5	1.2
DN50-20	135.6	152.4	215.5	295.0	1.2
DN50-25	155.4	152.4	177.4	208.9	1.2
DN50-32	155.4	152.4	186.9	237.7	1.2
DN50-40	155.4	152.4	204.9	264.9	1.2
DN50-50	155.4	155.4	235.2	314.7	1.2
DN65-20	181.3	190.5	212.8	263.6	1.6
DN65-25	181.3	190.5	230.8	290.8	1.6
DN65-40	181.3	190.5	260.8	340.3	1.6

自动排净安装角度 installation angle for self draining

在卫生洁净管路系统上应用的所有隔膜阀应符合以下标准的安装角度也是总要的准则之一就是阀门具有自排空功能

in hygenic clean piping system of application of all diaphragm valve should meet the following standard installation angle and self-emptying function



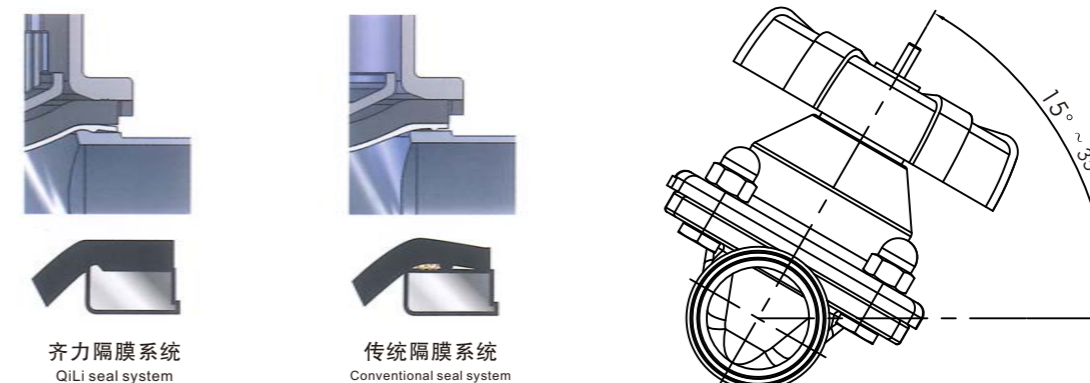
安装建议 Installation suggestion

为了达到最佳的自排效果,我们建议,对于安装长管线上的隔膜阀要是 α % 倾斜,这样做就可以保证整个系统具有完全自排空效果

in order to achieve the best self-emptying effect installing on long pipeline, we suggest declining the valve by α % so as to ensure the completely self-emptying in the system

SIZE		α
1/4"-1/2"	DN6-DN10	22
3/4"	DN 15	28
1"	DN 25	21
1.5"	DN 40	21
2"	DN 50	30
2.5"	DN 65	30

G型隔膜阀系列 G-type diaphragm valve series



齐力作为一家先进隔膜阀供应商,我们的隔膜系统有着非常良好死角处理,并且符合EHEDG要求
As an advanced supplier of diaphragm valves, QiLi designed a comprehensive diaphragm system with no bling spots; moreover it complies with the ehedg requirements.

加工工艺

阀体采用CNC精密加工,保证了阀腔的密封面与膜片弧度的吻合,减少了膜片的摩擦,延长其膜片的使用寿命。

润腔表面抛光可根据客户要求机械或电解抛光,抛光度可达到0.25 μ m。

软性弹性材料隔膜

软性弹性材料制成的隔膜对于那些被纤维团、固体颗粒、催化剂等污染的工作介质不会产生敏感的反应,一般说来也不会因此影响到阀门的工作和密封。根据工作或消毒的温度,以及工作介质的化学特性,可以选择不同的材料。

FDA认证

无菌隔膜阀膜片是根据FDA标准而生产。

我们也可按照客户的要求提供其它标准认证的证书。

材质选择

由于不同工况下将选用不同类型的门和材质,在选择阀体和隔膜以前,必须对每一个产品的运用进行分析,尤其针对化学医药方面的运用,和高温所导致的化学反应。通过有效的化学数据或专家认证,对材质的适宜性进行检测,以此确保产品的使用安全性和长期有效性。

隔膜固定

典型的隔膜固定方法为螺钉固定,与开孔固定形成对比,这种固定方式将受力面积分散至螺栓整个表面上,这是以防真空条件下,破坏隔膜的机械连接。

隔膜阀最优安装角度示意图

无菌隔膜阀根据其结构特点,推荐15~50角度安装(根据不同的规格而定),有利于阀门清洗后完全排泄,不易造成液体滞留门内部。

Processing technology

The CNC precision machined valve body ensures the matching of valve cavity sealing surface and diaphragm radian, which reduces the diaphragm friction and prolongs the diaphragm life.

Cavity surface can be mechanical or electrolytic polished according to customers' requirements. The polishing degree can reach 0.25 μ m.

Soft elastic diaphragm

Membranes made of soft elastic materials do not react sensitively to working media contaminated with fiber clusters, solid particle catalysts etc. In general, it will not affect the operation and sealing of the valve. Depending on the temperature of the operation or disinfection, as well as the chemical nature of the working medium, different materials can be selected.

FDA certification

Sterile diaphragm valve diaphragms are manufactured in accordance with FDA standards.

We can also provide other standard certification certificates according to customer requirements.

Material selection

Since different types of doors and materials will be used under different working conditions, the application of each product must be analyzed before selecting the valve body and diaphragm, especially for chemical and pharmaceutical applications, and chemical reactions caused by high temperatures. Through the use of effective chemical data or expert certification, the materiality of the material is tested to ensure the safety and long-term effectiveness of the product.

Diaphragm fixation

A typical method of securing the diaphragm is screwing, in contrast to the opening. This fixing method spreads the force area to the entire surface of the bolt, which is to break the barrier connection of the barrier under vacuum conditions.

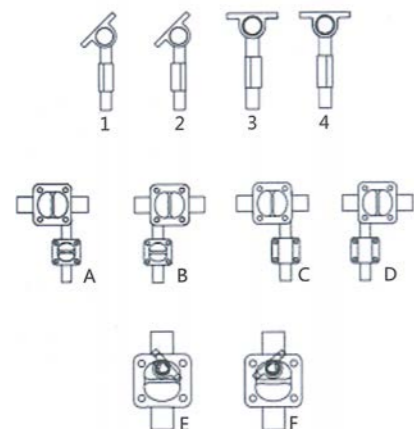
Diaphragm valve optimal installation angle diagram

According to its structural characteristics, the aseptic diaphragm valve is recommended to be installed at an angle of 15 to 50 (depending on different specifications), which is beneficial to the complete drainage of the cavity after cleaning, and it is not easy to cause the cavity liquid retention.

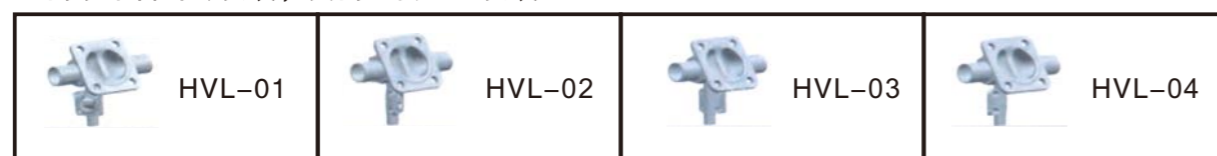
串联隔膜阀 SERIES DIAPHRAGM VALVE

串联阀有各种不同的角度和位置可供选择。串联阀有锻造材质或毛坯材质可供选择(如图所示)。

Series valves are available in a variety of different angles and positions. The series valve has a forged material or a blank material to choose (as shown in figure)



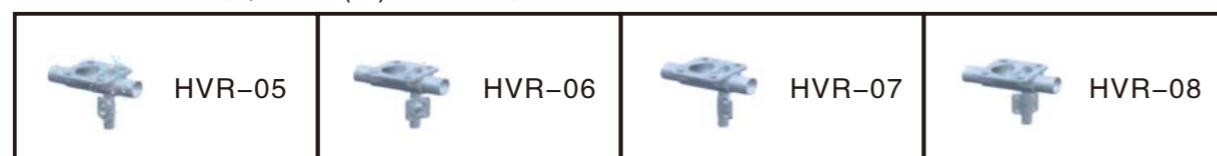
主阀水平自排尽安装, 支阀左侧垂直安装



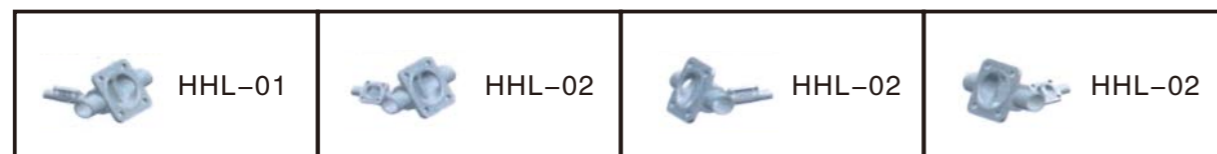
主阀水平自排尽安装, 支阀右侧垂直安装



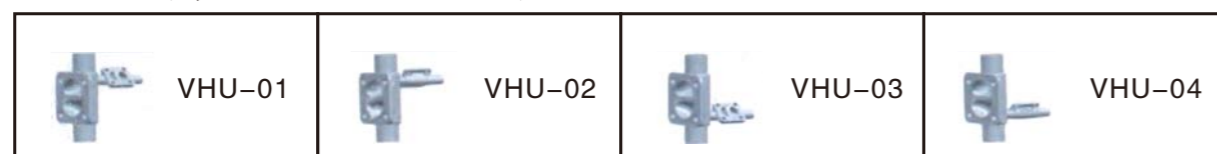
主阀水平向上安装,支阀右(左)侧垂直安装



主阀水平向上安装, 支阀左侧倒水平自排尽安装



主阀垂直安装, 支阀上部水平自排尽安装



罐底隔膜阀 TANK BOTTOM DIAPHRAGM VALVE

工作压力: 0-10bar

工作温度: -40~150℃

驱动机构: 手动控制

密封材质: EPDM, EPDM+TFM

阀体设计: 直通阀体设计

阀体材质: 316L(铸造, EN1.4409 CF3M)

接口尺寸: DN20/DN50

接口方式: 焊式、焊卡式、卡式

表面处理: 外表面Ra≤0.5um(SF1),
内表面Ra≤0.375m(SF4)

接口标准: ISO, DIN, ASME BPE.3A, BS

Working pressure: 0-10bar

Working temperature: -40-150℃

Drive mechanism: manual control

Seal material: EPDM+TFM, EPDM

Body design: straight through valve design

Body material: 316L (casting, CF3M EN1.4409)

Interface size: DN20/DN50

Interface type: type, type welding
welding: card

Surface treatment: the outer surface of Ra is less than or equal to 0.5 m (SF1).

The inner surface of Ra is less than or equal to 0.375 m (SF4)

Interface standard: ISO, DIN, BPE.3A BS, ASME

驱动器: (气动)

尺寸:DN20-DN50

主要材质:不锈钢阀帽、支座、阀杆、PC手轮

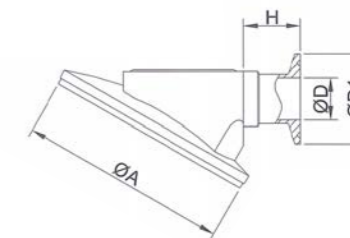
状态显示:手动开关状态显示如图

Drive (pneumatic)

Size: DN20-DN50

Main material: stainless steel valve cap, bearing, valve stem, F
hand wheel

Status display: manual switch status display

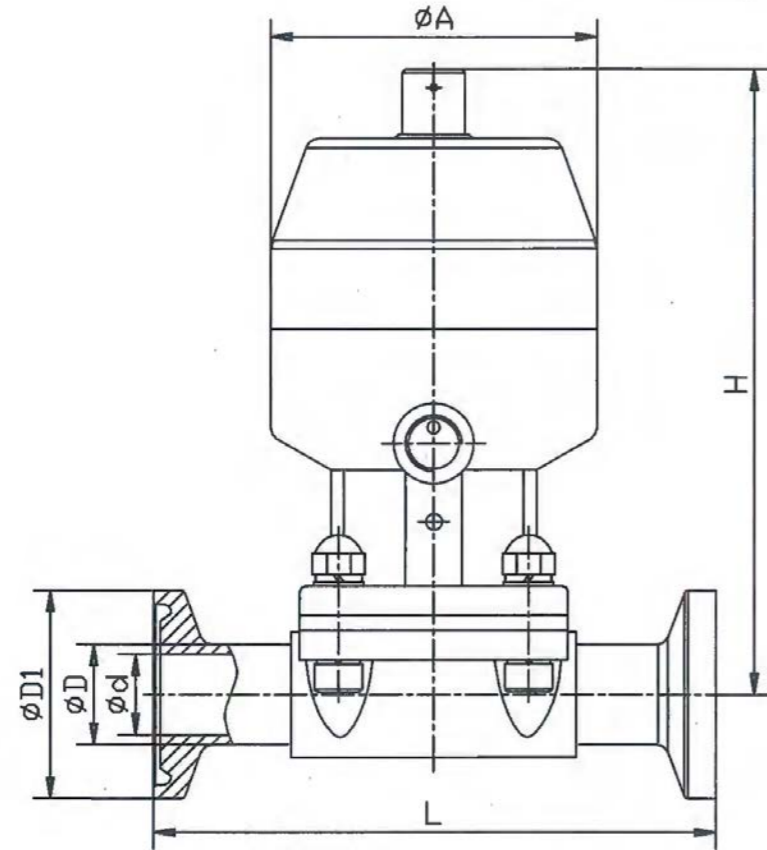


No.KST221-1

Size	D	D1	H	A
DN 15	15.8	50.5	25	118
DN 20	18.1	50.5	32	118
DN 25	22.1	50.5	32	118
DN 32	28.5	50.5	36	145
DN 40	34.8	50.5	36	145
DN 50	47.5	64	38	185

Size	DN 20	DN 25	DN 40	DN 50
open	11	14	22	28
close	1	1	1	1

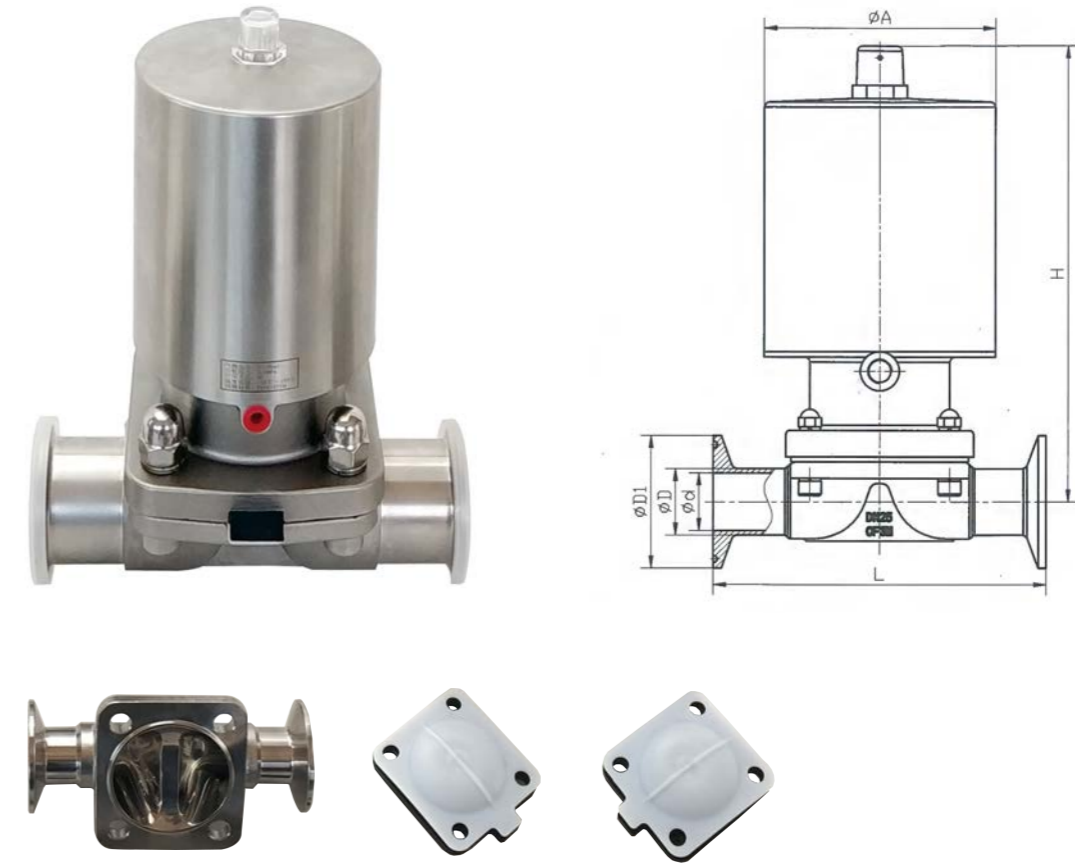
不锈钢头气动快装隔膜阀
Stainless steel head pneumatic
Clamped diaphragm valve



外形尺寸

NPS	DN	L	A	d	D	D1	执行器
1/8"	DN 6	89	33	4	6.4	25.0	Ø35
1/4"	DN 8	89	33	6	8.4	25.0	Ø35
3/8"	DN 10	89	33	7.4	10	25.0	Ø35
1/2"	DN 15	117	33	15.8	19.1	25.0	Ø35

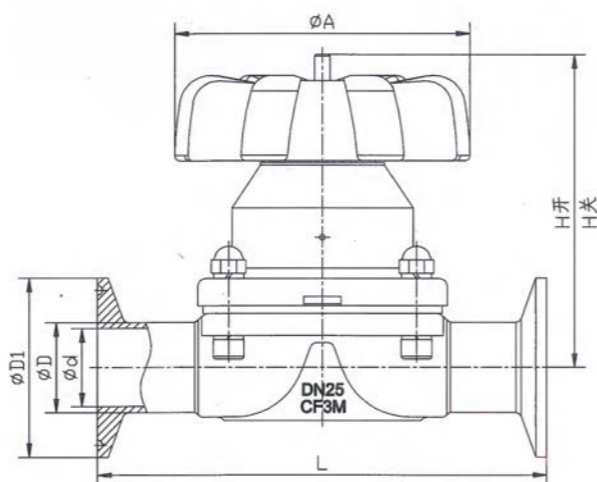
不锈钢头气动快装隔膜阀
Stainless steel head pneumatic
Clamped diaphragm valve



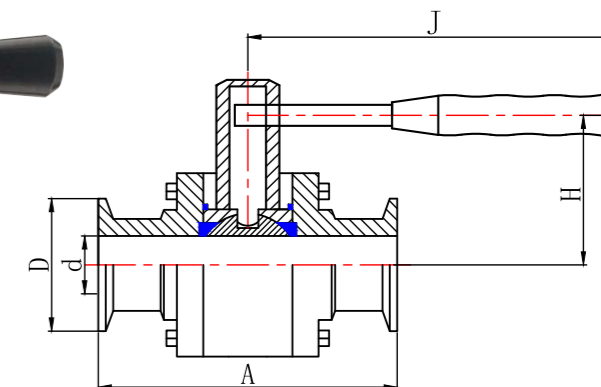
外形尺寸

NPS	DN	L	A	H	d	D	D1
3/4"	DN 20	117	57	140	18.1	22.0	25.0
1"	DN 25	127	88	175	22.1	25.4	50.5
1-1/4"	DN 32	159	88	180	28.5	31.8	50.5
1-1/2"	DN 40	190	88	213	34.8	38.1	50.5
2"	DN 50	190	109	228	47.5	50.8	64.0
2-1/2"	Dn65	216	109	235	59.5	63.5	77.5
3"	DN 80	254	109	250	72.9	76.2	91

手动快装隔膜阀 Manual Clamped diaphragm valve



直通防爆球阀 Direct Explosion-proof Ball Valve



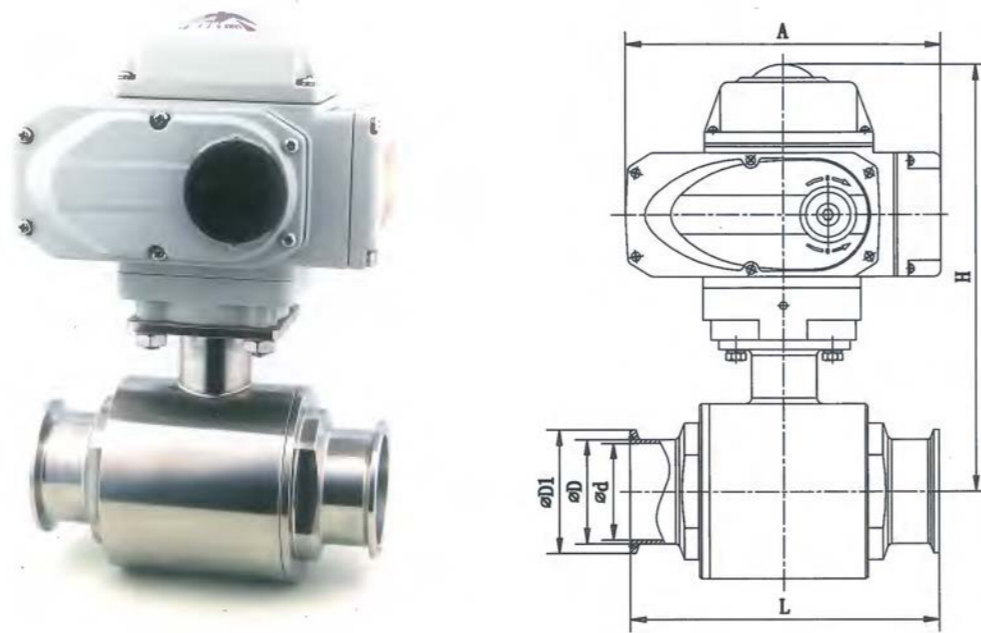
气动球阀：主要应用于加工饮料、酿酒、炼油、化妆品和化学工业
 *阀体结构：直通
 *规格：1/2"–6"、DN15–DN100
 *温度：-20℃至150℃
 *压力：8–30bar/30kg
 *材质：316L
 *认证：3-A-68-00、PED、97/23/EC
 *连接：卡箍、焊接、螺纹、DIN、SMS、ISO、IDF、BSE、RJT
 *密封材质：PTFE、TFM 1600、UHMWPE
 *扭矩：1N.M--50N.M

Sanitary straight through explosion-proof ball valve
 The ball valve is widely used in beverage, brewing, oil refining, cosmetics and chemistry industries.
 Valve body: straight
 Size: 1/2"–6", DN15–DN100
 Temperature: -20℃至150℃
 Pressure: 8–30bar/30kg
 Material: 316L
 Certification: 3-A-68-00、PED、97/23/EC
 Connection: tri-clamped, welded, threaded, DIN, SMS, ISO, IDF, BSE, RJT
 Sealing material: PTFE、TFM 1600、UHMWPE
 Torque: 1N.M--50N.M

NPS	DN	L	A	H开	H关	d	D	D1
1/8"	DN 6	89	33	92	87	4	6.4	25.0
1/4"	DN 8	89	33	92	87	6	8.4	25.0
3/8"	DN 10	89	33	92	87	9.4	12.7	25.0
1/2"	DN 15	117	33	92	87	15.8	19.1	25.0
3/4"	DN 20	117	58	85	79	18.1	22.0	25.0
1"	DN 25	127	90	102	91	22.1	25.4	50.5
1-1/4"	DN 32	159	90	108	97	28.5	31.8	50.5
1-1/2"	DN 40	159	114	122	110	34.8	38.1	50.5
2"	DN 50	190	140	138	126	47.5	50.8	64.0
2-1/2"	DN 65	216	140	142	130	59.5	63.5	77.5
3"	DN 80	254	188	250	234	72.9	76.2	91.0

Size	D	d	A	H	J
1/2"	12.7	9.4	95	35	142
3/4"	19.05	15.8	95	38	142
1"	25.4	22.1	100	42	142
1 4/1"	31.8	28.5	108	48	142
1 2/1"	38.1	34.8	115	52	142
2"	50.8	47.5	136	60	160
2 2/1"	63.5	60.2	150	73	160
3"	76.2	72.2	172	83	190
4"	101.6	97.04	204	93	190

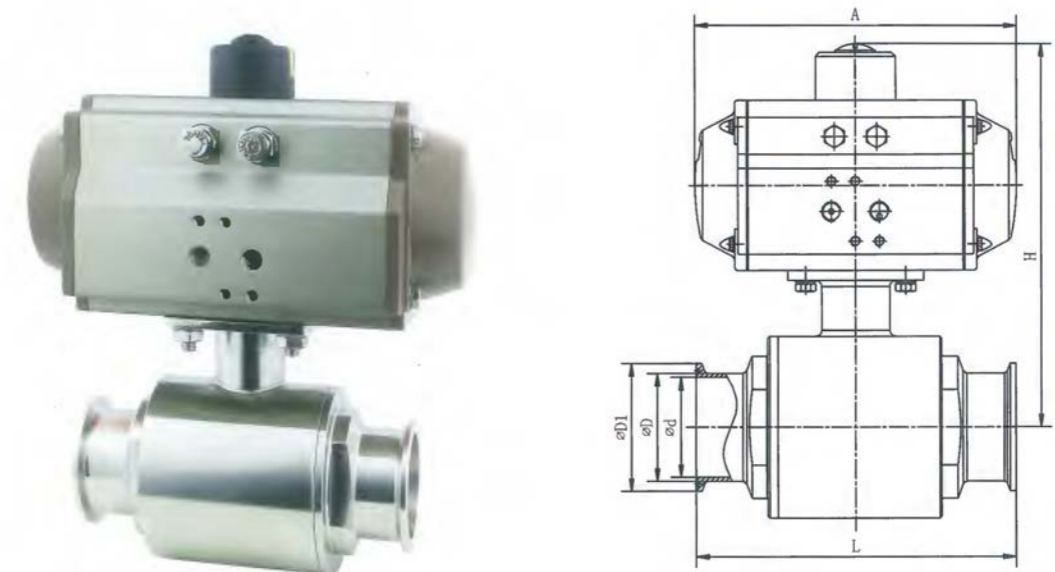
卫生级电动快装球阀 Hygienic electric Clamped ball valve



外形尺寸

规格BPE	L	d	D	D1	A	H	执行器
3/4"	108	15.8	19.1	50.5	146	144	AT 50
1"	112	22.1	25.4	50.5	146	159	AT 50
1 1/4"	125	28.5	31.8	50.5	146	156	AT 50
1.5"	135	34.8	38.1	50.5	163	180	AT 63
2"	160	47.5	50.8	64.0	214	205	AT 75
2.5"	178	60.2	63.5	77.5	252	225	AT 88
3"	240	72.9	76.2	91.0	252	230	AT 88
4"	270	97.4	101.6	119	316	295	AT 115

卫生级气动快装球阀 Hygienic Pneumatic Clamped Ball Valve



外形尺寸

规格BPE	L	d	D	D1	A	H	执行器
3/4"	108	15.8	19.1	50.5	146	144	AT 50
1"	112	22.1	25.4	50.5	146	159	AT 50
1 1/4"	125	28.5	31.8	50.5	146	156	AT 50
1.5"	135	34.8	38.1	50.5	163	180	AT 63
2"	160	47.5	50.8	64.0	214	205	AT 75
2.5"	178	60.2	63.5	77.5	252	225	AT 88
3"	240	72.9	76.2	91.0	252	230	AT 88
4"	270	97.4	101.6	119	316	295	AT 115

罐底球阀
Bottom ball valve



罐底球阀

该阀是一款专门设计应用于压力容器和储罐等设备的排空和放料的罐底阀门，全包球座和密封自动补偿设计，因此具有压力高，耐高温，扭矩小，寿命长等特点。

罐底球阀：主要应用于加工饮料、酿酒、炼油、化妆品和化学工业

- 阀体结构：直通
- 规格：1/2" -4"、DN15-DN100
- 温度：-20℃-150℃
- 压力：8-30bar/30kg
- 材质：316L
- 认证：3-A-68-00、PED、97/23/EC
- 连接：卡箍、焊接、螺纹、DIN、SMS、ISO、IDF、BSE、RJT
- 密封材质：PTFE、TFM 1600、UHMWPE
- 扭矩：1N.M-100N.M

Sanitary Tank Bottom Ball Valve

The valve is specially developed for emptying and discharging in pressure vessels and tanks, with all-inclusive valve seat and automatic seal compensation design. The valve has advantages of high pressure & high temperature resistance, low torque and long use life.

Valve body: straight

Size: 1/2" -4" ,DN15-DN100

Temperature: -20℃至150℃

Pressure: 8-30bar/30kg

Material: 316L

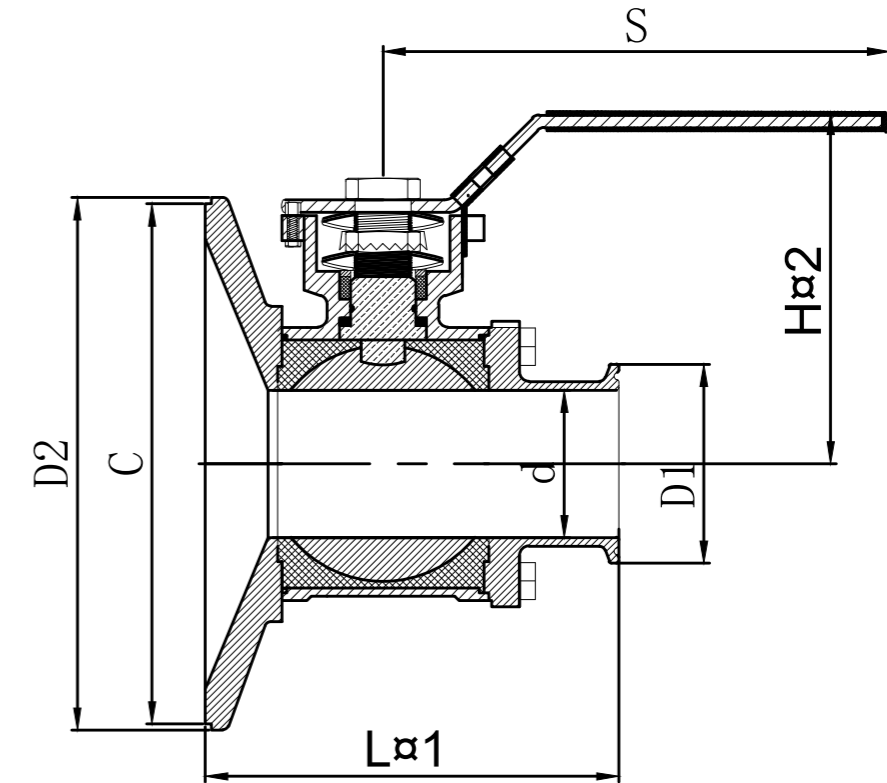
Certification: 3-A-68-00、PED、97/23/EC

Connection: tri-clamped, welded, threaded, DIN, SMS, ISO, IDF, BSE, RJT

Sealing material: PTFE、TFM 1600、UHMWPE

Torque: 1N.M-100N.M

罐底球阀
Bottom ball valve



Tank bottom three-piece non-retion ball valve

NPS	d	D1	D2	L	H	S	C
1"	Ø22.1	Ø50.5	Ø120	92	86	168	110
1.5"	Ø34.8	Ø50.5	Ø120	112	122.5	220	110
2"	Ø47.5	Ø64	Ø155	126.6	122.5	220	145
2.5"	Ø60.2	Ø77.5	Ø180	146	139.5	220	170
3"	Ø72.9	Ø91	Ø212	170.8	165	320	210
4"	Ø97.4	Ø119	Ø248	200	177	320	235

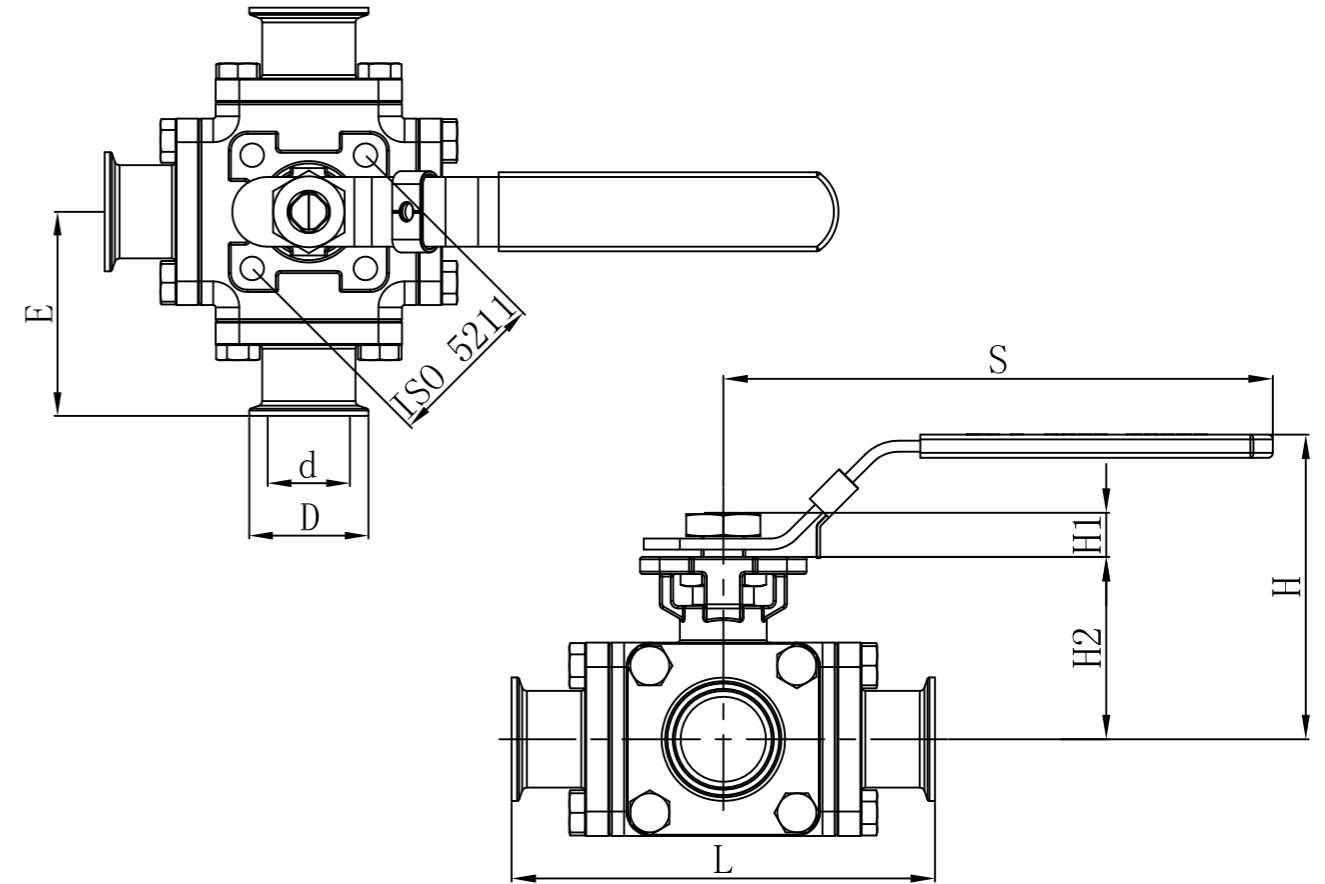
三通无滞留全包球阀
Three-way non-detention full-bag ball valve



- 三通球阀：主要应用于加工饮料、酿酒、炼油、化妆品和化学工业
- *阀体结构：直通、三通、四通
 - *规格：1/2" 4"、DN15-DN100
 - *温度：-20℃至150℃
 - *压力：8-30bar/30kg
 - *材质：316L
 - *认证：3-A-68-00、PED、97/23/EC
 - *连接：卡箍、焊接、螺纹、DIN、SMS、ISO、IDF、BSE、RJT
 - *密封材质：PTFE、TFM 1600、UHMWPE
 - *扭矩：1N.M-100N.M

Sanitary three-way all-inclusive non-retaining ball valve
The ball valve is widely used in beverage, brewing, oil refining, cosmetics and chemistry industries.
Valve body: straight, three-way, cross-way
Size: 1/2" -4" , DN15-DN100
Temperature: -20℃至150℃
Pressure: 8---30bar/30kg
Material: 316L
Certification: 3-A-68-00、 PED、 97/23/EC
Connection: tri-clamped, welded, threaded, DIN, SMS, ISO, IDF, BSE, RJT
Sealing material: PTFE、 TFM 1600、 UHMWPE
Torque: 1N.M----100N.M

三通无滞留全包球阀
Three-way non-detention full-bag ball valve



three way Ball Valve

Size	DN	L	RIRT	d	D	E	H	H1	H2	S	ISO5211
1/2"	DN 15	147.4	16.0	12.7	25.2	73.7	89.0	9.0	47.8	186.5	F04
3/4"	DN 20	155.8	20.0	19.05	25.2	77.9	98.0	11.0	58.2	218.0	F05
1"	DN 25	168.8	25.0	25.4	50.5	84.4	102.0	11.5	64.0	218.0	F05
1 1/4"	DN 32	179.9	32.0	31.8	50.5	98.95	118.5	15.2	79.0	135.0	F05 F07
1 1/2"	DN 40	221.4	38.0	38.1	50.5	110.7	127.0	14.3	88.5	135.0	F05 F07
2"	DN 50	244.6	50.0	50.8	64.0	122.3	139.0	17.8	105.8	252.0	F07 F10
2 1/2"	DN 65	270.0	65.0	63.5	77.5	135	165.7	17.5	117.3	252.0	F07 F10
3"	DN 80	292.2	80.0	76.2	91.0	146.1	170.0	17.5	128.0	252.0	F07 F10
4"	DN 100	328.0	100.0	101.6	119.0	164.0	193.0	30.0	140	600.0	F07 F10

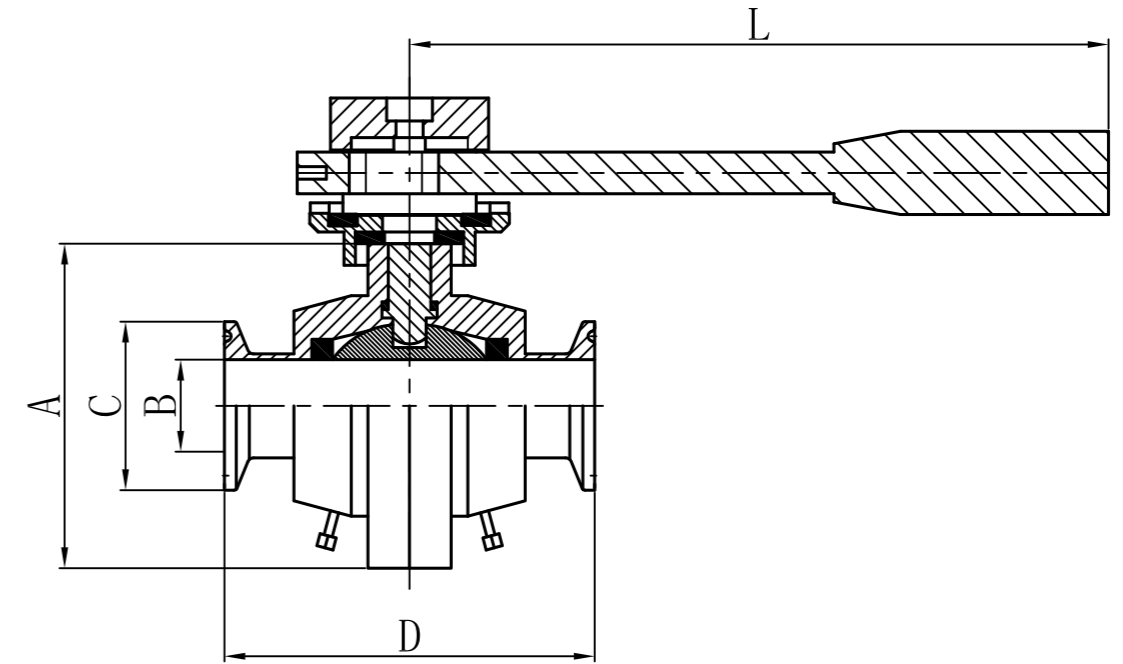
蝶式球阀 Butterfly Ball Valve



气动球阀：主要应用于加工饮料、酿酒、炼油、化妆品和化学工业
 阀体结构：直通
 规格：1/2" -6寸"、DN15-DN100
 温度：-20℃至150℃
 压力：8--30bar/30kg
 材质：316L
 认证：3-A-68-00、PED、97/23/EC
 连接：卡箍、焊接、螺纹、DIN、SMS、ISO、IDF、BSE、RJT
 密封材质：PTFE、TFM 1600、UHMWPE
 扭矩：1N.M-50N.M

Sanitary butterfly type ball valve
 The ball valve is widely used in beverage, brewing, oil refining, cosmetics and chemistry industries.
 Valve body: straight
 Size: 1/2" -6" ,DN15-DN100
 Temperature: -20℃至150℃
 Pressure: 8--30bar/30kg
 Material: 316L
 Certification: 3-A-68-00、PED、97/23/EC
 Connection: tri-clamped, welded, threaded, DIN, SMS, ISO, IDF, BSE, RJT
 Sealing material: PTFE、TFM 1600、UHMWPE
 Torque: 1N.M-50N.M

蝶式球阀 Butterfly Ball Valve



Size	D	A	B	C	L
1-1/2"	100	115	34.8	50.5	160
2"	110	131	47.5	64	199
2-1/2"	130	160	60.2	77.5	210
3"	140	186	72.9	91	250
4"	170	220	97.4	119	350

电动三片式无滞留全包球阀
Electric three-piece non-detention full-bag ball valve



电动球阀：主要应用于加工饮料、酿酒、炼油、化妆品和化学工业

阀体结构：直通、

规格：1/2" 6寸"、DN15-DN100

温度：-20℃至150℃

压力：8--30bar/30kg

材质：316L

认证：3-A-68-00、PED、97/23/EC

电动执行器：开关型、调节型

连接：卡箍、焊接、螺纹、DIN、SMS、ISO、IDF、BSE、RJT

密封材质：PTFE、TFM 1600、UHMWPE

扭矩：1N.M-100N.M

Sanitary electric three-piece all-inclusive non-retaining ball valve

The ball valve is widely used in beverage, brewing, oil refining, cosmetics and chemistry industries.

Valve body: straight

Size: 1/2" -6" ,DN15-DN100

Temperature: -20℃至150℃

Pressure: 8--30bar/30kg

Material: 316L

Certification: 3-A-68-00、PED、97/23/EC

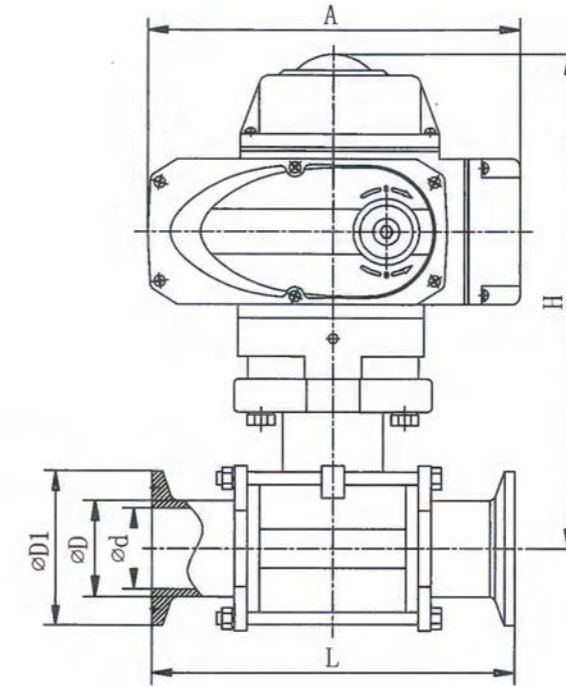
Electric actuator: switching type, regulating type

Connection: tri-clamped, welded, threaded, DIN, SMS, ISO, IDF, BSE, RJT

Sealing material: PTFE、TFM 1600、UHMWPE

Torque: 1N.M-100N.M

电动三片式无滞留全包球阀
Electric three-piece non-detention full-bag ball valve



外形尺寸

型号	d	D	L	D1	A	H	执行器
1/2"	9.4	12.7	90.5	25.0	146	137	AT 50
3/4"	15.8	19.1	103.4	25.0	146	141	AT 50
1"	22.1	25.4	114	50.5	146	151	AT 50
1 1/4"	28.5	31.8	125	50.5	163	172	AT 63
1.5"	34.8	38.1	136.7	50.5	163	185	AT 63
2"	47.5	50.8	153.5	64.0	214	209	AT 75
2.5"	60.2	63.5	167.3	77.5	252	240	AT 88
3"	72.9	76.2	192.3	91.0	270	264	AT 100
4"	97.4	101.6	239.5	119	316	310	AT 115

卫生级直通球阀 Sanitary Direct WAY Ball Valve



设计和特点

无需维护，比其他的阀门更小更轻，操纵扭矩小垫圈根据 PTFE FDA177.2600无论液体是何种流向，手柄可以安装在侧边的阀体上无论是何种连接方式，阀体都可进行列换，而不会尽管变阀门的总长度连接:螺纹，焊接，卡箍，法兰，DIN, SMS, RJT, FIL可装配气动执行器，电动执行器物料接触部位AIS, 304/316L, 其他部位AISI304认证:PED, 97/23/EC

No maintenance, smaller and lighter than other valves small handling torque Washers are based on PTFE FDA 177 2600 The handle can be installed on the side of the valve regardless of the flow direction of the liquid No matter what kind of connection method, the valve body can be changed without changing the total length of the valve Connection: thread, welding, clamp, flange, DIN, SMS, RJT, FIL can assemble pneumatic actuator, electric actuator Material contact parts AISI. 304/316L. other parts AISI 304 Authentication: PED, 97/23/EC

气动球阀：主要应用于加工饮料、酿酒、炼油、化妆品和化学工业

阀体结构：直通

规格：1/2" -6"、DN15-DN100

温度：-20℃至150℃

压力：8-30bar/30kg

材质：316L

认证：3-A-68-00、PED、97/23/EC

连接：卡箍、焊接、螺纹、DIN、SMS、ISO、IDF、BSE、RJT

密封材质：PTFE、TFM 1600、UHMWPE

扭矩：1N.M-50N.M

Sanitary straight through ball valve

The ball valve is widely used in beverage, brewing, oil refining, cosmetics and chemistry industries.

Valve body: straight

Size: 1/2" -6", DN15-DN100

Temperature: -20℃至150℃

Pressure: 8-30bar/30kg

Material: 316L

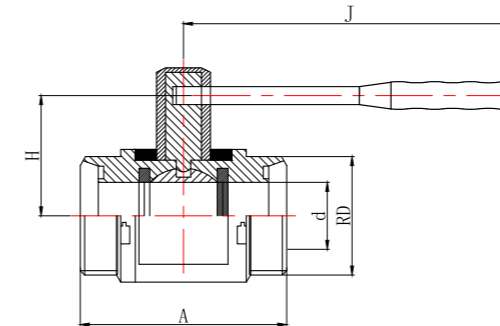
Certification: 3-A-68-00、PED、97/23/EC

Connection: tri-clamped, welded, threaded, DIN, SMS, ISO, IDF, BSE, RJT

Sealing material: PTFE、TFM 1600、UHMWPE

Torque: 1N.M-50N.M

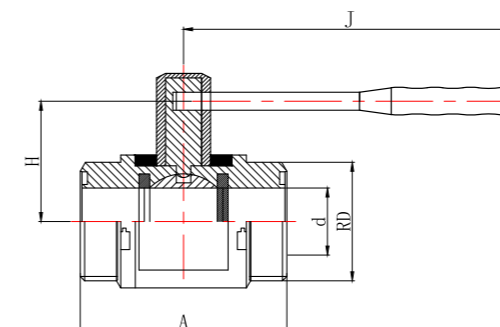
卫生级直通球阀 Sanitary Direct WAY Ball Valve



直通螺纹球阀 (DIN)

Direct Way Threaded Ball Valve (DIN)

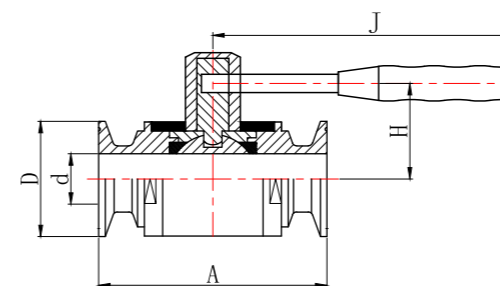
SIZE	RD	DN	A	H	J	N.W
DN 10	RD28X1/8"	10	95	40	124	820
DN 15	RD34X1/8"	15	95	40	124	820
DN 20	RD44X1/8"	19	95	40	124	945
DN 25	RD52X1/8"	25	100	48	146	1300
DN 32	RD58X1/8"	31	108	50	146	1740
DN 40	RD65X1/8"	37	115	60	185	2160
DN 50	RD78X1/8"	49	136	68	185	2960
DN 65	RD99X1/8"	66	161	89	243	5100
DN 80	RD110X1/8"	81	180	100	243	7390
DN 100	RD130x1/8"	100	204	115.5	273	11120



直通螺纹球阀 (SMS)

Direct Way Threaded Ball Valve (SMS)

SIZE	RD	DN	A	H	J	N.W
1/2"	RD36X1/8"	9.7	95	40	124	945
3/4"	RD36X1/8"	15	95	40	124	900
1"	RD40X1/8"	22.4	100	48	146	1200
1 1/4"	RD48X1/8"	28.8	108	50	146	1600
1 1/2"	RD50X1/8"	35.1	115	60	185	2340
2"	RD70X1/8"	47.8	136	68	185	2860
2 1/2"	RD85X1/8"	59.5	150	80	205	4560
3"	RD98X1/8"	72.2	172	94	243	6200
4"	RD125X1/8"	97.6	204	115.5	273	11290



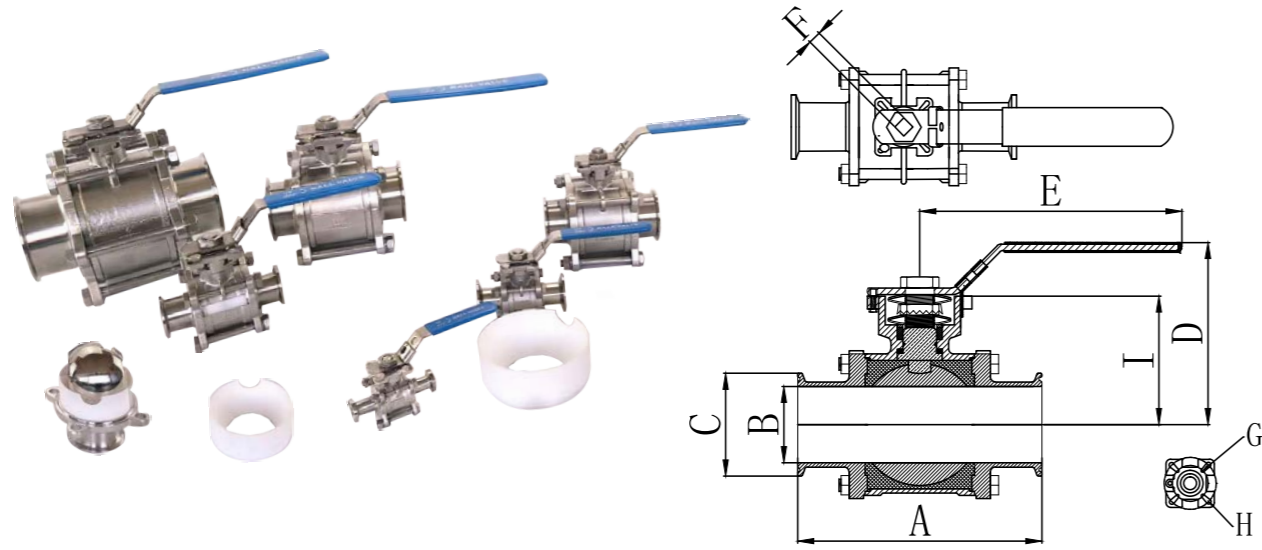
直通卡箍球阀 (ISO、IDF、SMS、3A、DS)

Direct Way Clamped Ball Valve (ISO、IDF、SMS、3A、DS)

SIZE	DN	A	H	J	N.W
1/2	25.4	95	40	124	810
3/4	25.4	95	40	124	780
1	50.5	100	48	146	1265
1 1/4	50.5	128	50	185	1520
1 1/2	50.5	115	60	185	2000
2	64	136	68	185	2685
2 1/2	77.5	150	80	205	4115
3	91	172	94	243	5628
4	119	206	115.5	273	10890

卫生级三片式高平台全包无滞留球阀

Hygienic three-piece high platform full package non-detention ball valve



该阀为全包式阀座设计，解决了液体滞留阀腔的问题，该球阀在食品加工、饮料、果汁、酿酒、生物制药等领域有着广泛的应用。

Sanitary three-piece high platform all-inclusive non-retaining ball valve
The valve is designed as an all-inclusive valve seat, which solves the problem of liquid retention valve cavity.
The ball valve is in food processing, beverage, juice, brewing, biopharmaceutical, etc.
The field has a wide range of applications,

技术参数

规格: 1/2"-6"
材质: 304/CF8, 316L/CF8M
适用温度: -20°C-150°C
密封材质: PTFE
压力: 8-20bar
操作方式: 手动、气动、电动
无需拆卸管道，只要拆卸阀门可自行维修更换，操纵扭矩小
连接方式: 卡箍、焊接、螺纹、SMS、ISO、DIN、RJT、IDF、BTE
阀体内部处理: 内表面CNC加工、Ra0.6um
认证: 3-A-68-00、PED/97/23/EC

Technical Parameters

Specification: 1/2"-4"
Material: 304/CF8, 316L/CF8M
Applicable temperature: -20 ° C -150 ° C
Sealing material: PTFE
Pressure: 8-10bar
Mode of operation: manual, pneumatic, electric
No need to disassemble the pipeline, as long as the valve can be disassembled, it can be repaired and replaced by itself
Connection method: clamp, welding, thread, SMS, ISO, DIN, RJT, IDF, BTE
Internal treatment of the valve body: CNC machining of the inner surface, Ra0.6um
Certification: 3-A-68-00、PED/97/23/EC

1/2-6" Encapsulated and ISO mounting pad
Flange connection size please refer to the standard ISO5211

SIZE	A	B	C	D	E	F	G	H	I
1/2"	90.5	9.4	25.4	64	131	9	F03	F04	37
3/4"	103.4	15.75	25.4	68	131	9	F03	F04	43
1"	114.2	22.1	50.5	86	169	11	F04	F05	51
1.5"	136.7	34.8	50.5	122.5	213	14	F05	F07	71
2"	153.2	47.5	64	122.5	213	14	F05	F07	79
2.5"	167.3	60.2	77.5	139.5	213	14	F05	F07	94
3"	192.3	72.9	91	165	320	17	F07	F10	109.5
4"	239.5	97.4	119	177	320	17	F07	F10	123
6"	378	146.8	167	205	390	27	F10	F12	169

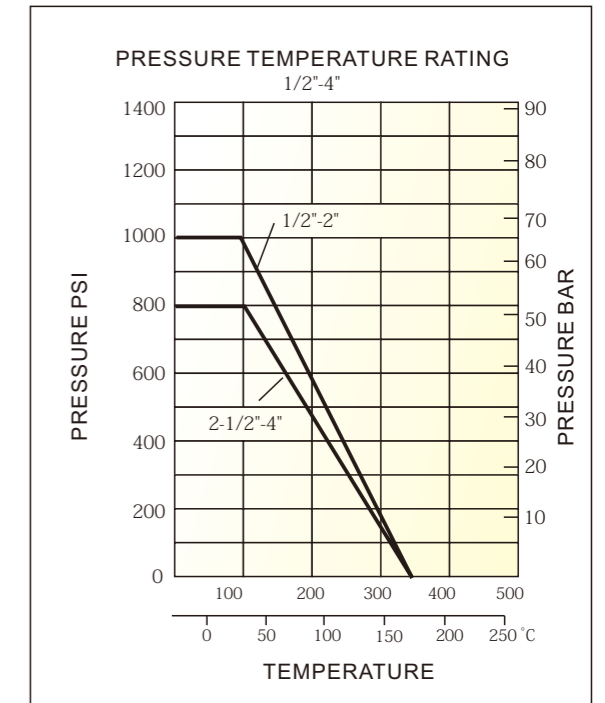
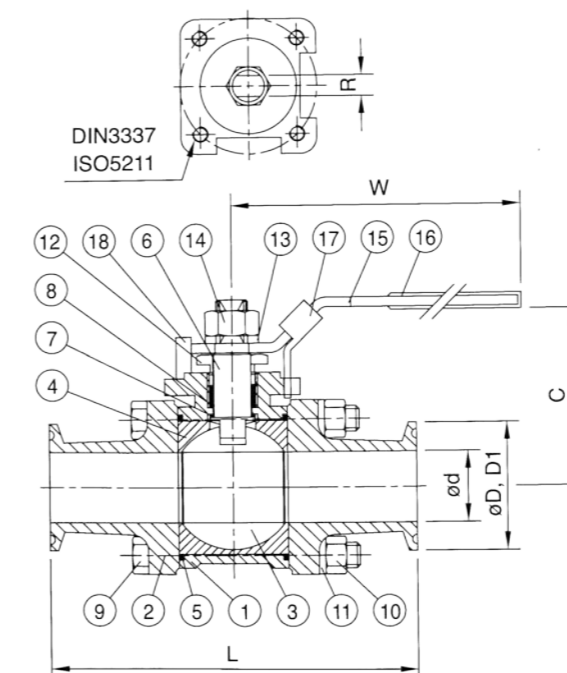
卫生级球阀

Sanitary-Ball Valve For Food AnBpe



全包式球阀

- Locking device can be required.
 - 100% air tested under water at 100%psi, open and closed positions
 - Hydrostatic test pressure 1/4"-2" 1,500psi, 2 1/2"-4" 1,200psi.
- Standard End :Weld & Clamp-End
Other SMS .DIN. RJT.IDF
Male/Male can be required.



Specifications for Clamp & Weld End

SIZE	DN	ISO5211	C	L	W	φd	φD	φD1	R	L1
1/2"	15	F03	55	90.5	132	9.5	25.4	12.7	5	32.75
3/4"	20	F03	60	103.4	131.5	15.9	25.4	19.05	5	36.5
1"	25	F04	69	114	165	22.2	50.4	25.4	6.5	40
1-1/2"	40	F05	84	136.7	194.3	35	50.4	38.1	8.5	43.5
2"	50	F05	92	153.2	194.3	47.6	63.9	50.8	8.5	45.75
2-1/2"	65	F07	126.8	167.3	252	60.3	77.5	63.5	12	56
3"	80	F10	136	192.3	252	73	90.9	76.2	12	64.5
4"	100	F10	158.8	239.5	333	97.4	118.9	101.6	16	60.6

*φD=Clamp End *φD=Weld End

NO	PART NAME	MATERIAL
1	BODY	ASTM-A351-CF8M
2	CAP	ASTM-A351-CF8M
3	BALL	A351-CF8M
4	SEAT	PTFE
5	GASKET	PTFE
6	STEM	316
7	THRUST WASHER	PTFE
8	STEM PACKING	PTFE
9	BOLT	304
10	HEX NUT	304
11	BOLT WASHER	304
12	GLAND	304
13	WASHER	304
14	NUT	304
15	HANDLE	304
16	PLASTIC COVER	PLASTIC
17	LOCK DEVICE	304
18	STOP PIN	304

气动三片式无滞留球阀

Pneumatic three-piece non-detention ball valve



气动球阀：主要应用于加工饮料、酿酒、炼油、化妆品和化学工业

阀体结构：直通

规格：1/2" 6"、DN15-DN100

温度：-20℃至150℃

压力：8-10bar/10kg

材质：316L

认证：3-A-68-00、PED、97/23/EC

气动执行器：双作用、单作用、铝制气动头、不锈钢气动头

连接：卡箍、焊接、螺纹、DIN、SMS、ISO、IDF、BSE、RJT

密封材质：PTFE、TFM 1600、UHMWPE

扭矩：1N.M-50N.M

Sanitary pneumatic three-piece all-inclusive non-retaining ball valve

The ball valve is widely used in beverage, brewing, oil refining, cosmetics and chemistry industries.

Valve body: straight

Size: 1/2" 6" ,DN15-DN100

Temperature: -20℃至150℃

Pressure: 8---10bar/10kg

Material: 316L

Certification: 3-A-68-00、PED、97/23/EC

Pneumatic actuator: single acting, double acting, aluminium, stainless steel

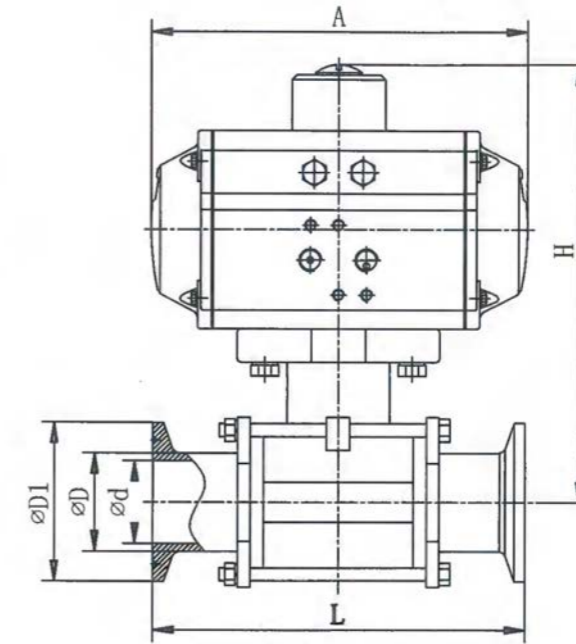
Connection: tri-clamped, welded, threaded, DIN, SMS, ISO, IDF, BSE, RJT

Sealing material: PTFE、TFM 1600、UHMWPE

Torque: 1N.M----50N.M

气动三片式无滞留球阀

Pneumatic three-piece non-detention ball valve



外形尺寸

型号	d	D	L	D1	A	H	执行器
1/2"	9.4	12.7	90.5	25.0	146	137	AT 50
3/4"	15.8	19.1	103.4	25.0	146	141	AT 50
1"	22.1	25.4	114	50.5	146	151	AT 50
1 1/4"	28.5	31.8	125	50.5	163	172	AT 63
1.5"	34.8	38.1	136.7	50.5	163	185	AT 63
2"	47.5	50.8	153.5	64.0	214	209	AT 75
2.5"	60.2	63.5	167.3	77.5	252	240	AT 88
3"	72.9	76.2	192.3	91.0	270	264	AT 100
4"	97.4	101.6	239.5	119	316	310	AT 115

气动罐底球阀 Pneumatic bottom ball valve



该阀是一款专门设计应用于压力容器和储罐等设备的排空和放料的罐底阀门，全包球座和密封自动补偿设计，因此具有压力高，耐高温，扭矩小，寿命长等特点。

Sanitary Pneumatic Tank Bottom Ball Valve The valve is specially developed for emptying and discharging in pressure vessels and tanks, with all-inclusive valve seat and automatic seal compensation design. The valve has advantages of high pressure & high temperature resistance, low torque and long use life.

罐底球阀：主要应用于加工饮料、酿酒、炼油、化妆品和化学工业
阀体结构：直通
规格：1/2" 4寸"、DN15-DN100
温度：-20℃至150℃
压力：8-30bar/30kg
材质：316L
认证：3-A-68-00、PED、97/23/EC
气动执行器：双作用、单作用、铝制气动头、不锈钢气动头
连接：卡箍、焊接、螺纹、DIN、SMS、ISO、IDF、BSE、RJT
密封材质：PTFE、TFM 1600、UHMWPE
扭矩：1N.M-100N.M

The valve is widely used in beverage, brewing, oil refining, cosmetics and chemistry industries.

Valve body: straight

Size: 1/2" -4" ,DN15-DN100

Temperature: -20℃至150℃

Pressure: 8--30bar/30kg

Material: 316L

Certification: 3-A-68-00、PED、97/23/EC

Pneumatic actuator: single acting, double acting, aluminium, stainless steel

Connection: tri-clamped, welded, threaded, DIN, SMS, ISO, IDF, BSE, RJT

Sealing material: PTFE、TFM 1600、UHMWPE

Torque: 1N.M-100N.M

电动三通无滞留全包球阀 Electric three-way non-detention full-bag ball valve



电动球阀：主要应用于加工饮料、酿酒、炼油、化妆品和化学工业

阀体结构：直通、三通、四通

规格：1/2" 4寸"、DN15-DN100

温度：-20℃至150℃

压力：8-30bar/30kg

材质：316L

认证：3-A-68-00、PED、97/23/EC

气动执行器：双作用、单作用、铝制气动头、不锈钢气动头

连接：卡箍、焊接、螺纹、DIN、SMS、ISO、IDF、BSE、RJT

密封材质：PTFE、TFM 1600、UHMWPE

扭矩：1N.M-100N.M

Sanitary pneumatic three-way all-inclusive non-retaining ball valve

The ball valve is widely used in beverage, brewing, oil refining, cosmetics and chemistry industries.

Valve body: straight, three-way, cross-way

Size: 1/2" -4" ,DN15-DN100

Temperature: -20℃至150℃

Pressure: 8--30bar/30kg

Material: 316L

Certification: 3-A-68-00、PED、97/23/EC

Pneumatic actuator: single acting, double acting, aluminium, stainless steel

Connection: tri-clamped, welded, threaded, DIN, SMS, ISO, IDF, BSE, RJT

Sealing material: PTFE、TFM 1600、UHMWPE

Torque: 1N.M-100N.M

产品索引

食品级热水管	03
食品级热水和蒸汽管	03
食品级蒸汽管	04
食品级高压清洗管	05
食品级橡胶管-1	05
食品级橡胶管-2	06
高温食品排吸管	07
超柔食品排吸管	08
食品级PVC网纹管	09
食品级PVC钢丝管	10
食品级0.9mmPU物料管	11
重型食品级塑筋增强PU管	12
食品级PU透明钢丝管	13
医药级PU软管	14
单层硅胶管	15
铂金硫化双层纹硅胶管	16
铂金硫化钢丝硅胶管	17
网纹硅胶管	18
铂金硫化四层网纹硅胶管	19
铂金硫化玻网纹硅胶管	20
铂金硫化透明钢丝硅胶管	21
铂金硫化透明钢丝网纹硅胶管	21
光滑特氟龙单管	22
耐真空波纹特氟龙单管	23
波纹特氟龙软管	23
光滑特氟龙软管	24
超柔特氟龙软管	25
硅胶包覆光滑特氟龙软管	26
硅胶包覆波纹特氟龙软管	26
输水管	26
耐低温水气管	27
经济型排吸水管	27
高品质水管	28
常用蒸汽输送管	29
化学品复合管	30
特氟龙复合软管	31
输油复合软管	32
混凝土输送软管	33
经济型排吸油管	34
超柔软排吸软管	34
沥青管	35
LPG输送管	35
SR1SN液压管	36
SR2SN液压管	36
S4SP液压管	37
S4SH液压管	37
金属管件	38

品名

页码

特氟龙翻接头及总成	39
软管总成	40
专业清洗方案	41
轻型不锈钢卷轴	42
轻型碳钢卷轴	42
迷你水枪	43
标准带框水枪	44
卫生级视镜	45
膨胀节	46
配件及零件	47
快装接头	48
DIN食品级活接	49
SMS食品级活接	50
外螺纹接头	51
国标法兰接头	52
美标法兰接头	53
软管使用规范	54
隔膜阀/球阀	56
隔膜设计	57
G型隔膜阀系列	58
T型隔膜阀	59
T型隔膜阀	60
U型隔膜阀	61
U型隔膜阀	62
U型隔膜阀	63
U型隔膜阀	64
自动排净安装角度	65
G型隔膜阀系列	66
串联隔膜阀	67
罐底隔膜阀	68
不锈钢头气动快装隔膜阀	69
不锈钢头气动快装隔膜阀	70
手动快装隔膜阀	71
直通防爆球阀	72
卫生级电动快装球阀	73
卫生级气动快装球阀	74
罐底球阀	75/76
三通无滞留全包球阀	77/78
蝶式球阀	79/80
电动三片式无滞留全包球阀	81/82
卫生级直通球阀	83/84
卫生级三片式高平台全包无滞留球阀	85
卫生级球阀	86
气动三片式无滞留球阀	87/88
气动罐底球阀	89
电动三通无滞留全包球阀	90